

## **dCache @ gridKa**

Forschungszentrum Karlsruhe GmbH  
Institute for Scientific Computing  
P.O. Box 3640  
D-76021 Karlsruhe, Germany

Dr. Doris Ressmann  
Dr. Silke Halstenberg

<http://gridka.de>

# dCache 1.7 headnode

dCacheh1

2x2.8GHz 2.5 GB mem

31GB disk SL4

kernel:2.6.9-34

dcap

dirDomain

utilityDomain

lmDomain

dCacheDomain

Admin-door

httpdDomain

StatisticDomain

xrootdDomain

gPlazma

gridka-dCache.fzk.de

1x1.9GHz 4GB mem

172GB system 92 GB dB

SL-CERN kernel: 2.6.9-42

gLite-SE

srmDomain

InfoProvider

SRM Postgres DB

F01-015-103

Billing DB

SRM Watch

F01-015-111

1x3GHz 4GB mem

32GB disk mirror

135GB dB SL4

Kernel:2.6.9-34

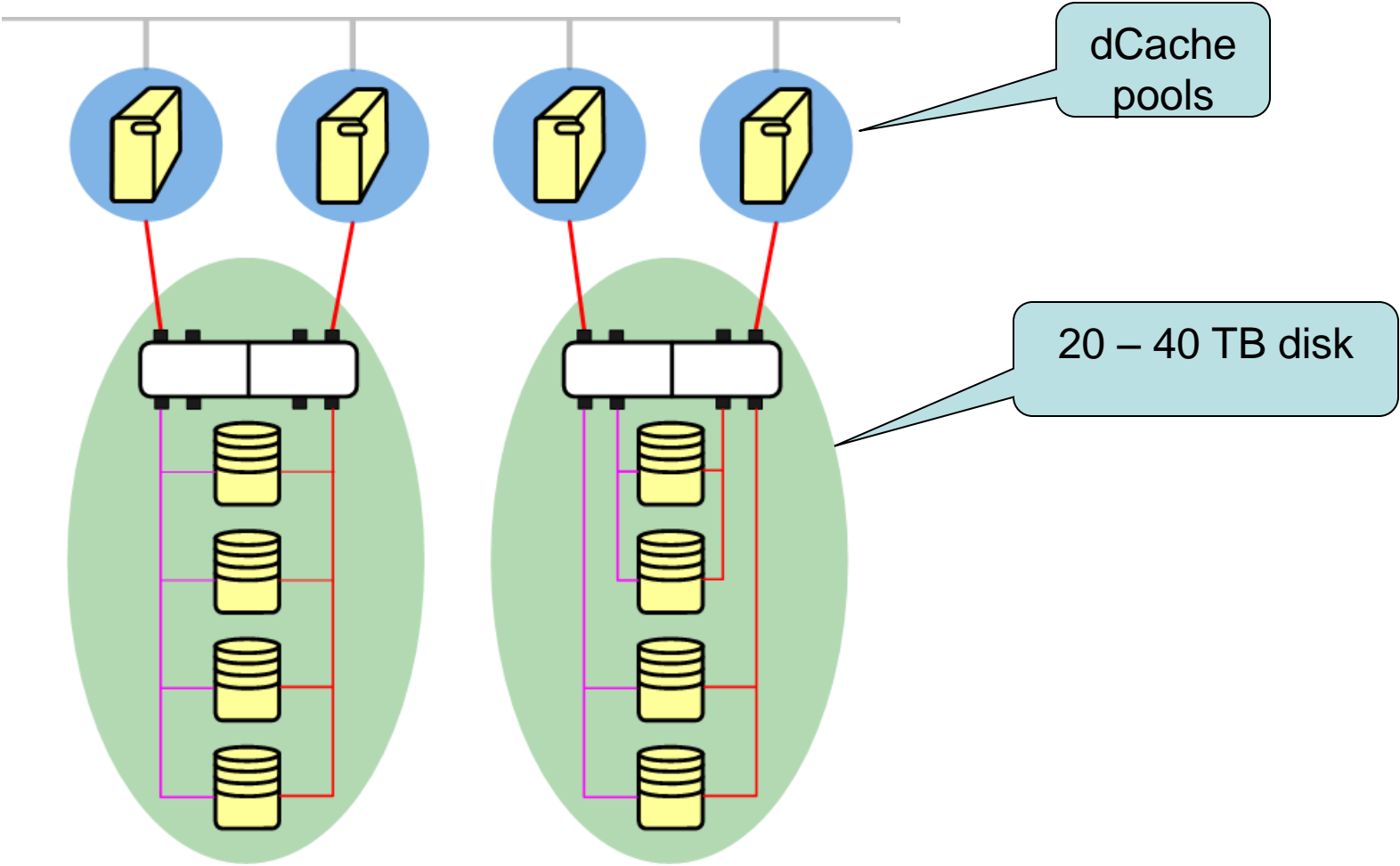
pnfsServer

Postgres DB

pnfsManager

Companion DB

# Storage Pools (today 226 TB on 126 pools)



# dCache Pools

- CMS,CDF and Compass 4 machines each with 2- 1.2 TB pools connected to the „old“ TSM server
- 18 machines connected via storage agent to a dedicated dCache TSM Server 47 pools each between 1 and 1.5 TB
- 12 of these also run a gridftp door 3 gridftp doors on dedicated machines
- 4 machines serving each 6 disk only pools each 1 TB for ALICE,ATLAS,CMS,LHCB,dteam,ops

# Disk only pools

- Atlas 9 machines with 23 pools
  - 19 x 2.2 TB
  - 4 x 6.1 TB
- CMS 7 machines with 28 pools each 2.2 TB
- Compass 1 machine 4 pools each 2.2 TB
- ALICE 3 machines 10 pools each 2.2 TB
- LHCb 5 machines 14 pools each 2.2 TB