

KfK 3572

Juli 1983

**HEXAGA-III - 120, - 30
Three Dimensional Multi-Group
Neutron Diffusion Programmes for
a Uniform Triangular Mesh with
Arbitrary Group Scattering**

Z. I. Woznicki

Institut für Neutronenphysik und Reaktortechnik
Projekt Schneller Brüter

Kernforschungszentrum Karlsruhe

KERNFORSCHUNGSZENTRUM KARLSRUHE

Institut für Neutronenphysik und Reaktortechnik

Projekt Schneller Brüter

KfK 3572

H E X A G A -III - 120, - 30

Three Dimensional Multi-Group Neutron Diffusion

Programmes for a Uniform Triangular Mesh with

Arbitrary Group Scattering

by

Zbigniew I. Woznicki*

This work is supported in part by BELGONUCLEAIRE
and RCC CYFRONET, Institute of Nuclear Research, Poland.

* Permanent Address:

Institute of Nuclear Research

CYFRONET

05-400 Otwock-Swierk, POLAND

Kernforschungszentrum Karlsruhe GmbH, Karlsruhe

Als Manuskript vervielfältigt
Für diesen Bericht behalten wir uns alle Rechte vor

Kernforschungszentrum Karlsruhe GmbH
ISSN 0303-4003

HEXAGA-III - 120, - 30 - Three Dimensional Multi-Group Neutron Diffusion
Programmes for a uniform triangular mesh with arbitrary group scattering

Summary

This report presents the HEXAGA-III-programme solving multi-group time-independent real and/or adjoint neutron diffusion equations for three-dimensional-triangular-z-geometry. The method of solution is based on the AGA two-sweep iterative method belonging to the family of factorization techniques. An arbitrary neutron scattering model is permitted. The report written for users provides the description of the programme input and output and the use of HEXAGA-III is illustrated by a sample reactor problem.

HEXAGA-III - 120, - 30 Rechenprogramme zur Lösung der 3-dimensionalen Multigruppen-Neutronen-Diffusionsgleichung für regelmäßige Dreiecksmaschennetze in den Ebenen mit beliebiger Neutronenstreuung über die Energiegruppen

Zusammenfassung

Der vorliegende Bericht enthält die Beschreibung von HEXAGA-III, eines Rechenprogramms zur Lösung der 3-dimensionalen stationären, realen und adjungierten Multigruppen-Neutronen-Diffusionsgleichungen in Dreiecks-Z-Geometrie. Die Lösungsmethode basiert auf der iterativen "AGA-TWO-SWEEP" Methode, die zur Familie der Faktorisierungsmethoden gehört. Neutronenstreuung ist beliebig über alle Energiegruppen zugelassen. Der Bericht ist für die Benutzer des Programms geschrieben und enthält die Beschreibung der Ein- und Ausgabe. Der Einsatz des Programms wird anhand eines Beispiels für einen Modellreaktor dargestellt.

CONTENTS

	page
I. INTRODUCTION	1
II. THE MATHEMATICAL MODEL	2
1. The Multi-Group Neutron Diffusion Equation	2
2. The Geometrical Representation	3
3. Difference Equations	5
III. THE METHOD OF SOLUTION	10
1. Derivation of Recursive Formulae Used in HEXAGA-II	11
2. The Iteration Process	14
3. The Estimate of Relaxation Factors	16
IV. INPUT DESCRIPTION	16
V. PROGRAMMING INFORMATION	29
1. Description of the HEXAGA-III-Programme	29
2. Memory Requirements	30
3. External File Space Requirements	31
VI. NUMERICAL EXAMPLE	32
REFERENCES	150

1. INTRODUCTION

This report contains the description of the three-dimensional multi-group neutron diffusion programmes HEXAGA-III-120 and -30 together with their user's manual. The code as an extension of the two-dimensional neutron diffusion programme HEXAGA-II /1/ uses a uniform triangular mesh imposed upon horizontal 120-degree parallelogram planes with an arbitrary mesh of planes along the axial direction. HEXAGA-III makes use of the AGA Double SOR two-sweep iterative method /1,2,3/ for a discrete real and/or adjoint solution to the multi-group, time-independent neutron diffusion equations. In HEXAGA-III-120 the domain of solution is restricted to a prism with a 120-degree parallelogram in the base and in HEXAGA-III-30 to a 30-degree triangle. Both programmes implemented on IBM/370-168 computer are written in FORTRAN-IV with dynamic storage allocation by applying the subroutine XTAREA /4/ written in Assembler language.

In spite of different geometry configurations the same input/output is used for both programmes and specified for the part of the reactor being 120-degree parallelogram or rhombus. However, the number of unknowns representing a discrete solution is approximately decreased by a factor of 4 in HEXAGA-III-30 in comparison with HEXAGA-III-120.

This reduces storage requirements and CPU time. In both versions of HEXAGA-III there exists an input check with respect to symmetry conditions in 60- or 30-degree sectors.

In order to simplify the preparation of the HEXAGA-III input data for reactor problems with a fine refinement of mesh, two auxiliary subprogrammes HEXI-32 and HEXI-33 have been written. Both subprogrammes serve to producing the new HEXAGA-III input data for a given reactor problem in which the mesh step (horizontal and vertical) is decreased by a factor of 2 in the case of HEXI-32 and by a factor of 3 for HEXI-33. These programmes use the same input as HEXAGA-III without introducing any additional input information. Thus, preparing the HEXAGA-III input data by hand for a given reactor problem which can be described by the minimal number of mesh points and using an arbitrary combination of output/input from HEXI-32 and HEXI-33, we can produce the HEXAGA-III input data for arrangements of mesh points for this problem with the mesh step decreased by the following factors: 2,3,4(2x2),6(2x3),etc.

In HEXAGA-III-120 data transmission is executed for each calculated horizontal plane between fast computer memory and external files. In HEXAGA-III-30 data are transmitted only once for calculating all horizontal planes. This allows to reduce significantly the total running time but on the other hand reduces the number of mesh points of three dimensional 30-degree sector with respect to the same sector in HEXAGA-III-120.

II. THE MATHEMATICAL MODEL

1. The Multi-Group Neutron Diffusion Equation

HEXAGA-III provides an approximation to the solution of the following multi-group, time-independent, neutron diffusion equations.

$$-\nabla D_g(\underline{x})\nabla\phi_g(\underline{x}) + \sum_g^T(\underline{x})\phi_g(\underline{x}) = S_g(\underline{x}) \quad (1)$$

$$S_g(\underline{x}) = \frac{\chi_g}{k_{eff}} \sum_{g'=1}^G \nu\Sigma_{g'}^F(\underline{x})\phi_{g'}(\underline{x}) + \sum_{\substack{g'=1 \\ g' \neq g}}^G \Sigma_{g' \rightarrow g}^S(\underline{x})\phi_{g'}(\underline{x}) \quad (1a)$$

for $g = 1, 2, \dots, G$.

where

- g - group index
- \underline{x} - spatial point
- ∇ - gradient operator
- ϕ_g - neutron flux
- D_g - diffusion coefficient
- \sum_g^T - macroscopic total removal cross section
- $\nu\Sigma_g^F$ - macroscopic fission production cross section
- $\sum_{g' \rightarrow g}^S$ - macroscopic scattering cross section from group g' to group g
- χ_g - value of fission spectrum (space independent)
- k_{eff} - effective multiplication factor

These equations are supplemented by group-dependent logarithmic boundary conditions at the external boundaries of the reactor

$$\frac{1}{\phi_g(\underline{x})} \frac{\partial \phi_g(\underline{x})}{\partial n} = - \frac{\alpha_g(\underline{x})}{D_g(\underline{x})} \quad (2)$$

where α_g is a non-negative constant and the derivative is taken normal to the boundary outward to the reactor.

The adjoint solution required for supplementary perturbation calculations is made on HEXAGA-III with a little extra effort devoted to the algorithm for the real solution. In fact, it is only necessary to transpose the scattering matrix and invert the order in which the group equations are solved, interchanging the roles of the fission spectrum fractions, χ_g , and the fission production cross section terms, $\nu\Sigma_g^F$, in each equation.

As the real system is defined by Eqs.(1 and 1a) the corresponding adjoint system can be written in the following form

$$-\nabla D_g(\underline{x}) \nabla \phi_g^*(\underline{x}) + \Sigma_g^T(\underline{x}) \phi_g^*(\underline{x}) = S_g^*(\underline{x}) \quad (1^X)$$

$$S_g^*(\underline{x}) = \frac{1}{k_{\text{eff}}} \nu\Sigma_g^F(\underline{x}) \sum_{g'=1}^G \chi_{g'} \phi_{g'}^*(\underline{x}) + \sum_{\substack{g'=1 \\ g' \neq g}}^G \Sigma_{g \rightarrow g'}^S(\underline{x}) \phi_{g'}^*(\underline{x}) \quad (1^X_a)$$

for $g = G, G-1, \dots, 1$

where ϕ_g^* is the adjoint neutron flux.

2. The Geometrical Representation

The HEXAGA-III-code was developed to calculate the three-dimensional flux distribution for power reactors which have basically a hexagonal core configuration with a heterogeneous region structure in the axial direction. Fig.1 shows, as an example, the reactor consisting of 3 horizontal layers of material structure with thicknesses H_1 , H_2 and H_3 . It is assumed that each layer is homogeneous in the axial direction. Control rods represented by diffusion region (with a greater value of absorption cross section) can be inserted into a position that coincides with the boundary between two layers. Each axial layer is cut into slices where the

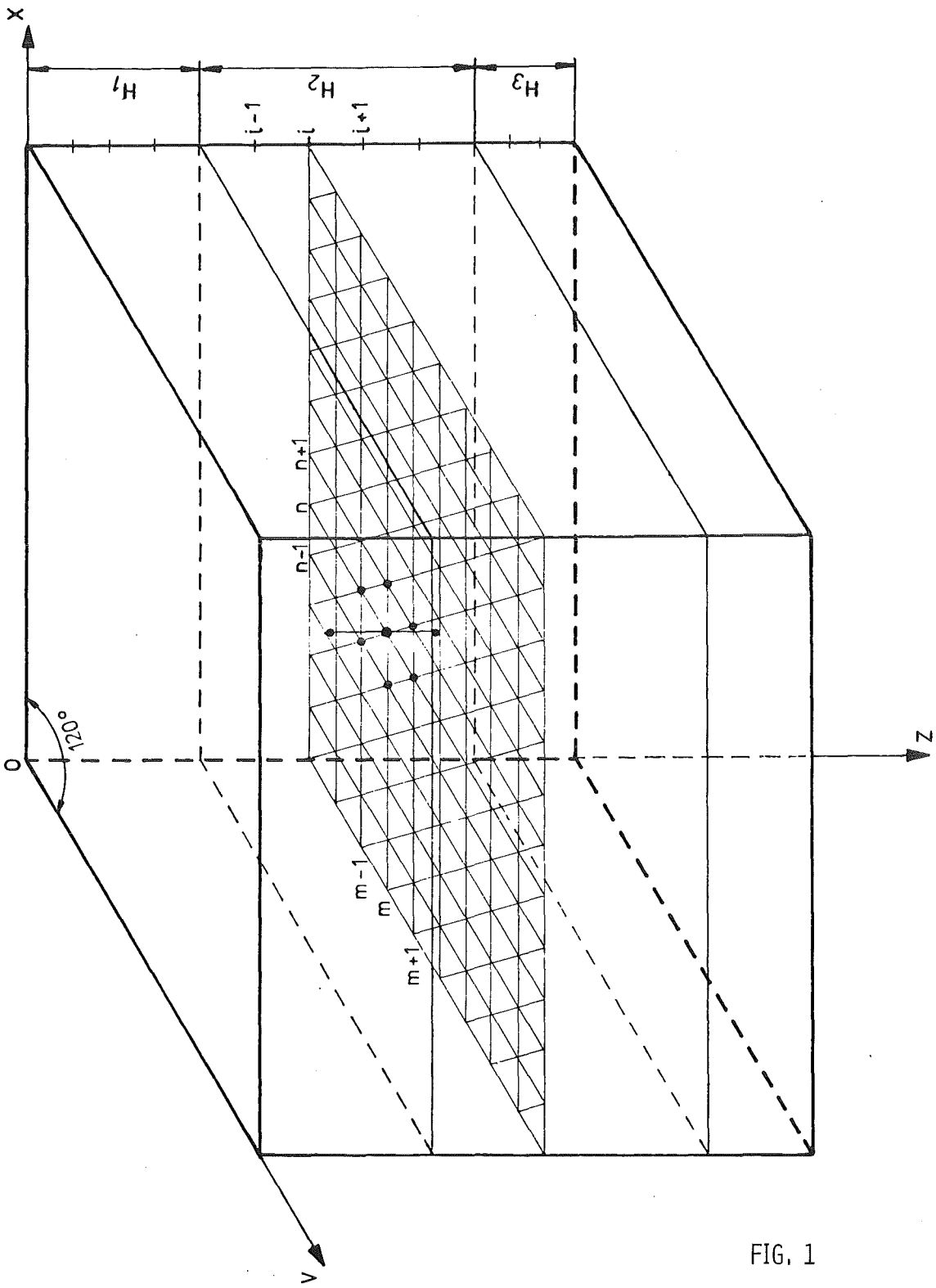


FIG. 1

mesh spacing, h_z , is assumed to be constant. However, h_z may change from one axial layer to the next one. In each horizontal plane represented by 120-degree parallelogram or rhombus in the oblique coordinate system $x-v$ (see Fig.1 and 2) a uniform triangular mesh with mesh width, h , is used. Thus, each hexagonal element composed of six triangles numbered from 1 to 6, as in Fig.2, is represented by an inner point and six points at the corners of the hexagon.

3. Difference Equations

To obtain a solution, Eq.(1) (and/or Eq.(1^x)) is approximated by replacing the differential operator with a 9-point difference expression for a three-dimensional finite mesh. It is assumed that the smallest three-dimensional homogeneous diffusion region has the form of a regular prism with a uniform triangle in the base. In the case of a horizontal plane i where the central point of the difference operator is a point (m,n) common for six-triangles containing normally different materials and between two adjacent axial layers where the mesh spacing, h_z , may change from one axial layer to the next one, the following difference expression is used for a given group, g .

$$\begin{aligned}
 k_{m,n}^i \phi_{m,n}^i = & c_{m,n}^i + q_{m,n}^i \phi_{m,n}^{i-1} + l_{m,n}^i \phi_{m-1,n-1}^i + e_{m,n}^i \phi_{m,n-1}^i + g_{m,n}^i \phi_{m-1,n}^i + \\
 & + \phi_{m+1,n+1}^i + u_{m,n}^i \phi_{m+1,n}^i + w_{m,n}^i \phi_{m,n+1}^i + t_{m,n}^i \phi_{m,n}^{i+1}
 \end{aligned}
 \tag{3}$$

where the notation of Fig.3 and the following abbreviations have been used

$$\gamma = \frac{h_z^-}{h_z^+}$$

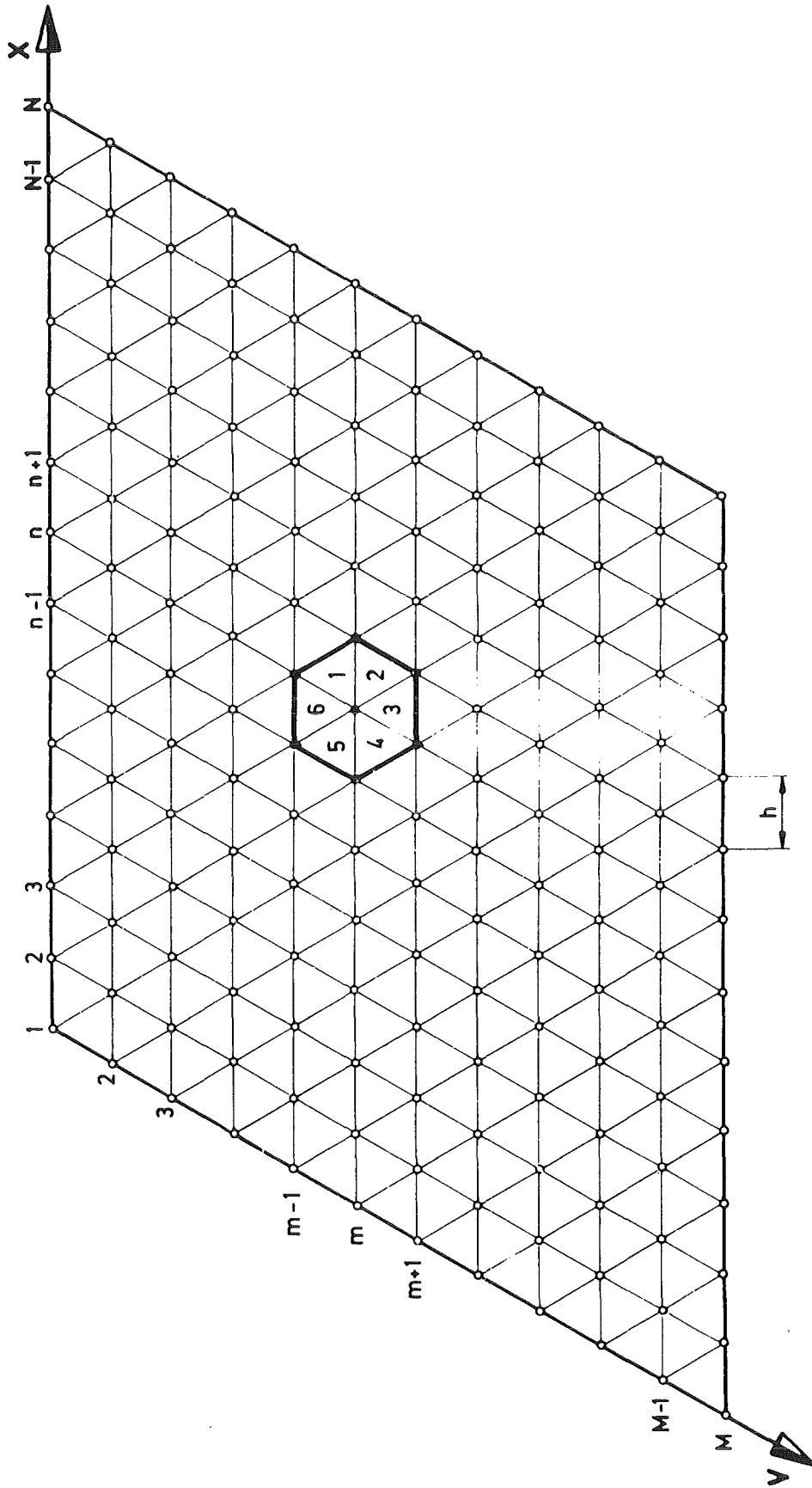


FIG. 2

$$a = D_2^+ + D_3^+ + \gamma(D_2^- + D_3^-)$$

$$k_{m,n}^i = \frac{1}{a} \left[\left(2 + \left(\frac{h}{h_z^+}\right)^2\right) \sum_1^6 D_j^+ + \gamma \left(2 + \left(\frac{h}{h_z^-}\right)^2\right) \sum_1^6 D_j^- + \frac{h^2}{2} \sum_1^6 (\Sigma_j^{T+} + \gamma \Sigma_j^{T-}) \right]$$

$$q_{m,n}^i = \frac{1}{a} \frac{h^2}{h_z^+ h_z^-} \sum_1^6 D_j^-$$

$$l_{m,n}^i = \frac{1}{a} [D_5^+ + D_6^+ + \gamma(D_5^- + D_6^-)]$$

$$e_{m,n}^i = \frac{1}{a} [D_4^+ + D_5^+ + \gamma(D_4^- + D_5^-)]$$

$$g_{m,n}^i = \frac{1}{a} [D_6^+ + D_1^+ + \gamma(D_6^- + D_1^-)]$$

$$u_{m,n}^i = \frac{1}{a} [D_3^+ + D_4^+ + \gamma(D_3^- + D_4^-)]$$

$$w_{m,n}^i = \frac{1}{a} [D_1^+ + D_2^+ + \gamma(D_1^- + D_2^-)]$$

$$t_{m,n}^i = \frac{1}{a} \left(\frac{h}{h_z^+}\right)^2 \sum_1^6 D_j^+$$

$$c_{m,n}^i = \frac{6h^2}{a} S_{m,n}^i$$

$$S_{m,n}^i = \frac{\chi_g}{k_{eff}} \sum_{g'=1}^G \nu_{g'}^{-F} (\phi_{m,n}^i)_{g'} + \sum_{\substack{g'=1 \\ g' \neq g}}^G \bar{\nu}_{g' \rightarrow g}^S (\phi_{m,n}^i)_{g'}$$

$$\nu_{g'}^{-F} = \frac{1}{12} \sum_1^6 (\nu_{\Sigma_j}^{F+} + \gamma \nu_{\Sigma_j}^{F-})$$

$$\bar{\nu}_{g' \rightarrow g}^S = \frac{1}{12} \sum_1^6 [(\Sigma_{g' \rightarrow g}^S)_j^+ + \gamma (\Sigma_{g' \rightarrow g}^S)_j^-]$$

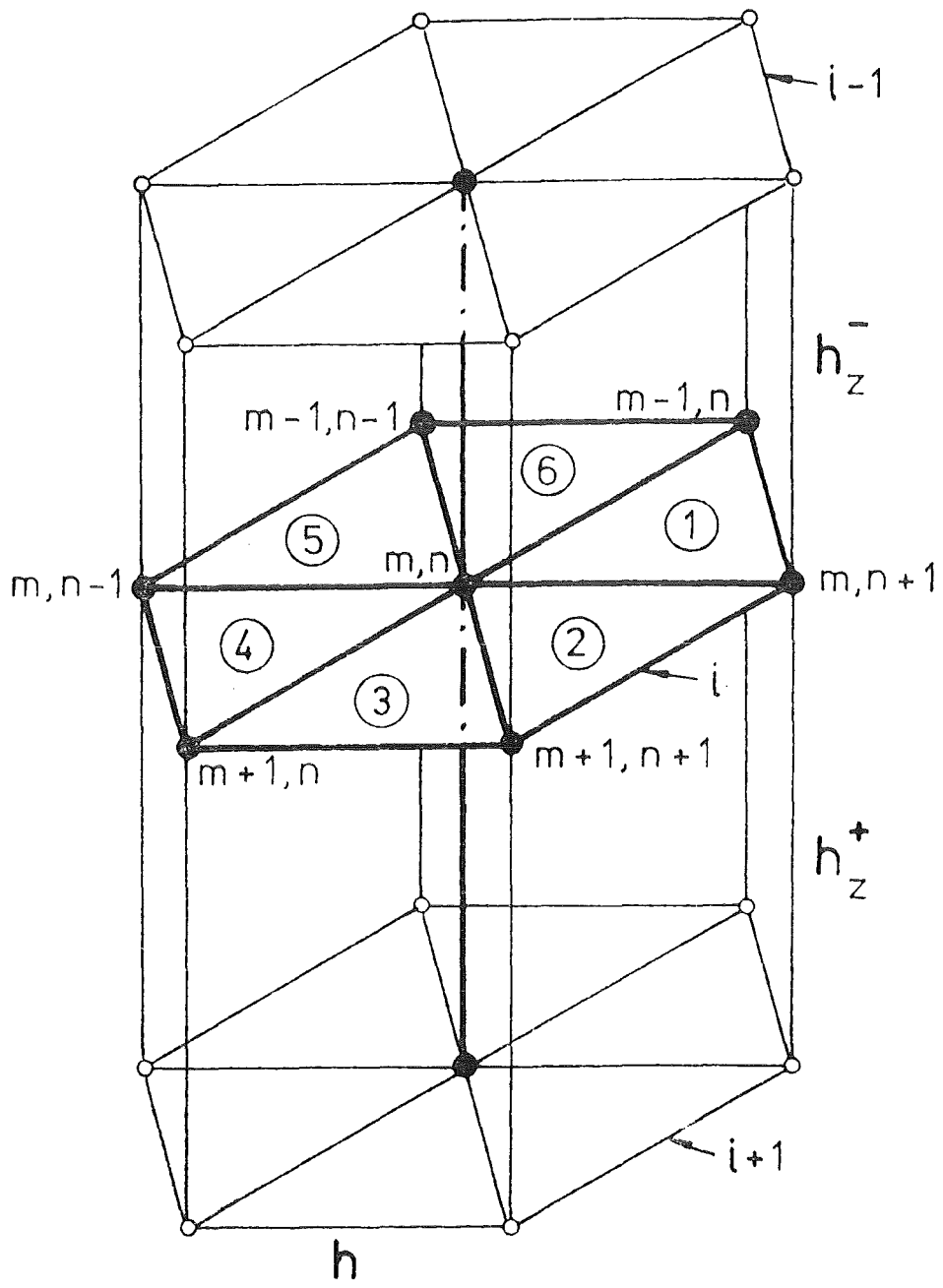


FIG. 3

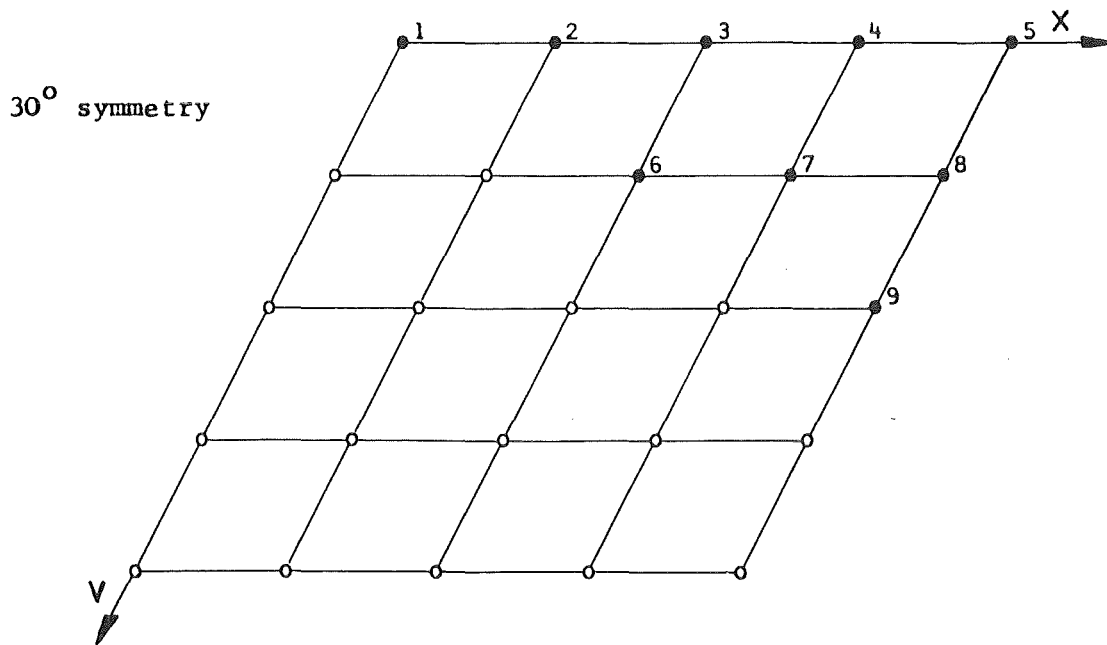
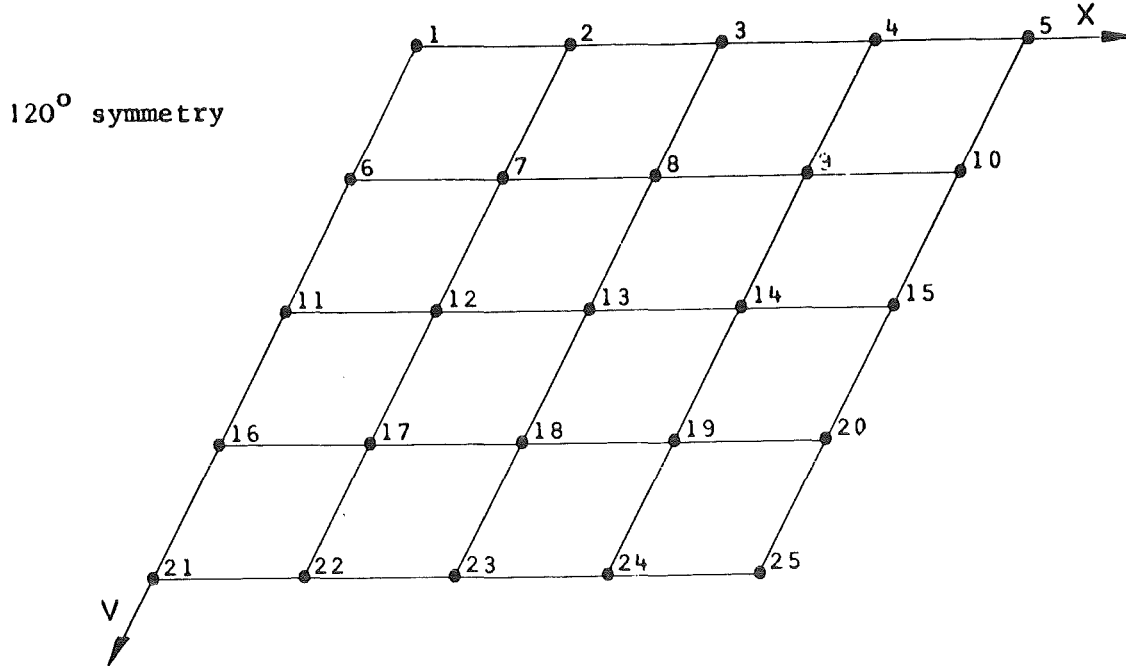


FIG. 4

Eq.(3) is normalized in such a way that the coefficient standing by $\phi_{m+1,n+1}^i$ is equal to unity. For $h_z^+ = h_z^- \rightarrow \infty$ Eq.(3) becomes identical with the corresponding difference theory programme HEXAGA-II /1/. Similar difference equations are applied to the mesh points lying on the external boundaries; in the case of vertical outer planes the term $\frac{2\sqrt{3}}{a} h(1+\gamma)\alpha_v$ is added to $k_{m,n}^i$ and for horizontal upper and lower outer planes the corresponding term added to $k_{m,n}^i$ is $\frac{6h^2}{ah_z} \alpha_h$ where α_v and α_h are defined by Eq.(2).

The other coefficients of the difference equations are calculated with appropriate modifications. Black and numbered mesh points in Fig.4 representing a horizontal plane in the example in which $M=N=5$ denote these mesh points which are included in the domain of solution in HEXAGA-III-120 and HEXAGA-III-30 respectively.

III. THE METHOD OF SOLUTION

To solve the inner iteration in each energy group in the HEXAGA-III code the AGA two-sweep iterative method has been used, and proposed by the author to the numerical solution of the multidimensional neutron diffusion theory equation several years ago. This method belonging to the family of factorization techniques and accelerated by the double overrelaxation process called the AGA Double SOR method was used in HEXAGA-II /1/ for the efficient solution of two-dimensional diffusion theory problems in an uniform triangular mesh. The experience obtained by applying this method to the solution of reactor problems, in which the spectral radius of the iteration matrix in the Gauss-Seidel method differs only slightly from unity, shows that a considerable advantage in the form of increased rate of convergence can be gained and the best results are observed for strongly nonuniform meshes. Moreover, numerical experiments have shown that one or two inner iterations per outer fission source iteration lead to an optimal running time and computer costs. This method is described in detail and analysed in references 1, 2 and 3.

1. Derivation of Recursive Formulae Used in HEXAGA-III

In this section the derivation of the recursive formulae for the version of the AGA two-sweep iterative method applied in HEXAGA-III is shown. We postulate the following formula for the backward substitution sweep at the mesh point (m,n) on the plane (i) (see Fig.1)

$$\phi_{m,n}^i = \frac{1}{D_{m,n}^i} (\beta_{m,n}^i + T_{m,n}^i \phi_{m,n}^{i+1} + \phi_{m+1,n+1}^i + U_{m,n}^i \phi_{m+1,n}^i + W_{m,n}^i \phi_{m,n+1}^i) \quad (4)$$

The corresponding formula at the mesh point (m-1, n-1) on the plane (i) can be written as follows

$$\begin{aligned} \phi_{m-1,n-1}^i = & \frac{1}{D_{m-1,n-1}^i} (\beta_{m-1,n-1}^i + T_{m-1,n-1}^i \phi_{m-1,n-1}^{i+1} + \phi_{m,n}^i + U_{m-1,n-1}^i \phi_{m,n-1}^i + \\ & + W_{m-1,n-1}^i \phi_{m-1,n}^i) \end{aligned}$$

and at the mesh point (m,n) on the plane (i-1)

$$\phi_{m,n}^{i-1} = \frac{1}{D_{m,n}^{i-1}} (\beta_{m,n}^{i-1} + T_{m,n}^{i-1} \phi_{m,n}^i + \phi_{m+1,n+1}^{i-1} + U_{m,n}^{i-1} \phi_{m+1,n}^{i-1} + W_{m,n}^{i-1} \phi_{m,n+1}^{i-1})$$

Substituting these formulae in the difference equation Eq.(3) we have

$$\begin{aligned} (k_{m,n}^i - \frac{1}{D_{m-1,n-1}^i} - T_{m,n}^{i-1} \frac{q_{m,n}^i}{D_{m,n}^{i-1}}) \phi_{m,n}^i = & c_{m,n}^i + \frac{q_{m,n}^i}{D_{m,n}^{i-1}} (\beta_{m,n}^{i-1} + \phi_{m+1,n+1}^{i-1} + \\ & + U_{m,n}^{i-1} \phi_{m+1,n}^{i-1} + W_{m,n}^{i-1} \phi_{m,n+1}^{i-1}) + \frac{1}{D_{m-1,n-1}^i} (\beta_{m-1,n-1}^i + T_{m-1,n-1}^i \phi_{m-1,n-1}^{i+1}) + \\ & + (e_{m,n}^i + \frac{U_{m-1,n-1}^i}{D_{m-1,n-1}^i}) \phi_{m,n-1}^i + (g_{m,n}^i + \frac{W_{m-1,n-1}^i}{D_{m-1,n-1}^i}) \phi_{m-1,n}^i + \phi_{m+1,n+1}^i + \\ & + u_{m,n}^i \phi_{m+1,n}^i + w_{m,n}^i \phi_{m,n+1}^i + t_{m,n}^i \phi_{m,n}^{i+1} . \end{aligned}$$

Again writing the formulae for $\phi_{m,n-1}^i$ and $\phi_{m-1,n}^i$, that is at the mesh points $(m,n-1)$ and $(m-1,n)$ on the plane (i) (according to Eq.(4)) and substituting them in the last equation and introducing an iteration index, j , we finally obtain the following recursive formulae

$$\begin{aligned}
 (\beta_{m,n}^i)^{(j+1)} &= c_{m,n}^i + Q_{m,n}^i \left[(\beta_{m,n}^{i-1})^{(j+1)} + (\phi_{m+1,n+1}^{i-1})^{(j)} \right. \\
 &\quad \left. + U_{m,n}^{i-1} (\phi_{m+1,n}^{i-1})^{(j)} + W_{m,n}^{i-1} (\phi_{m,n+1}^{i-1})^{(j)} \right] \\
 &\quad + L_{m,n}^i \left[(\beta_{m-1,n-1}^i)^{(j+1)} + T_{m-1,n-1}^i (\phi_{m-1,n-1}^{i+1})^{(j)} \right] \\
 &\quad + E_{m,n}^i \left[(\beta_{m,n-1}^i)^{(j+1)} + T_{m,n-1}^i (\phi_{m,n-1}^{i+1})^{(j)} + U_{m,n-1}^i (\phi_{m+1,n-1}^i)^{(j)} \right] \\
 &\quad + G_{m,n}^i \left[(\beta_{m-1,n}^i)^{(j+1)} + T_{m-1,n}^i (\phi_{m-1,n}^{i+1})^{(j)} + W_{m-1,n}^i (\phi_{m-1,n+1}^i)^{(j)} \right]
 \end{aligned} \tag{5}$$

$$\begin{aligned}
 (\phi_{m,n}^i)^{(j+1)} &= \frac{1}{D_{m,n}^i} \left[(\beta_{m,n}^i)^{(j+1)} + T_{m,n}^i (\phi_{m,n}^{i+1})^{(j+1)} + (\phi_{m+1,n+1}^i)^{(j+1)} \right. \\
 &\quad \left. + U_{m,n}^i (\phi_{m+1,n}^i)^{(j+1)} + W_{m,n}^i (\phi_{m,n+1}^i)^{(j+1)} \right], j \geq 0
 \end{aligned}$$

where

$$Q_{m,n}^i = q_{m,n}^i / D_{m,n}^{i-1}$$

$$L_{m,n}^i = l_{m,n}^i / D_{m-1,n-1}^i$$

$$E_{m,n}^i = (e_{m,n}^i + L_{m,n}^i U_{m-1,n-1}^i) / D_{m,n-1}^i$$

$$G_{m,n}^i = (g_{m,n}^i + L_{m,n}^i W_{m-1,n-1}^i) / D_{m-1,n}^i$$

$$D_{m,n}^i = k_{m,n}^i - T_{m,n}^{i-1} Q_{m,n}^i - L_{m,n}^i - E_{m,n}^i W_{m,n-1}^i - G_{m,n}^i U_{m-1,n}^i$$

$$U_{m,n}^i = u_{m,n}^i + E_{m,n}^i$$

$$W_{m,n}^i = w_{m,n}^i + G_{m,n}^i$$

$$T_{m,n}^i = t_{m,n}^i$$

The above recursive formulae represent the version of the AGA two-sweep iterative method which is applied in HEXAGA-III.

Thus, for a given iteration, $j+1$, and an energy group, g , the values of β are calculated recursively in the forward elimination sweep for successively increasing mesh point indices i , m and n ; using the values of ϕ from iteration j . With calculated values of β existing for all mesh points, the values of ϕ are calculated recursively in the backward substitution sweep for successively decreasing mesh point indices i , m and n . The values of coefficients Q , L , E , G , U , W and T are calculated only once also recursively for successively increasing mesh point indices for all mesh points and all energy groups, and stored for the whole iteration process.

Similar recursive formulae can be derived in the same way for the mesh points belonging to outer boundaries. However, in this case some terms of Eqs. (5) must disappear according to a given outer boundary.

Using the overrelaxation process simultaneously to both sweep equations of Eq. (5) we have called the method the AGA Double SOR method

$$\begin{aligned}
 (\beta_{m,n}^i)^{(j+1)} &= \Omega_{\beta} \left\{ c_{m,n}^i + Q_{m,n}^i \left[(\beta_{m,n}^{i-1})^{(j+1)} + (\phi_{m+1,n+1}^{i-1})^{(j)} \right. \right. \\
 &\quad \left. \left. + U_{m,n}^{i-1} (\phi_{m+1,n}^{i-1})^{(j)} + W_{m,n}^{i-1} (\phi_{m,n+1}^{i-1})^{(j)} \right] \right. \\
 &\quad \left. + L_{m,n}^i \left[(\beta_{m-1,n-1}^i)^{(j+1)} + T_{m-1,n-1}^i (\phi_{m-1,n-1}^{i+1})^{(j)} \right] \right. \\
 &\quad \left. + E_{m,n}^i \left[(\beta_{m,n-1}^i)^{(j+1)} + T_{m,n-1}^i (\phi_{m,n-1}^{i+1}) + U_{m,n-1}^i (\phi_{m+1,n-1}^i)^{(j)} \right] \right. \\
 &\quad \left. + G_{m,n}^i \left[(\beta_{m-1,n}^i)^{(j+1)} + T_{m-1,n}^i (\phi_{m-1,n}^{i+1})^{(j)} + W_{m-1,n}^i (\phi_{m-1,n+1}^i)^{(j)} \right] \right\} \quad (6) \\
 &\quad - (\Omega_{\beta} - 1) (\beta_{m,n}^i)^{(j)} \\
 (\phi_{m,n}^i)^{(j+1)} &= \Omega_{\phi} \frac{1}{D_{m,n}^i} \left[(\beta_{m,n}^i)^{(j+1)} + T_{m,n}^i (\phi_{m,n}^{i+1})^{(j+1)} + (\phi_{m+1,n+1}^i)^{(j+1)} \right. \\
 &\quad \left. + U_{m,n}^i (\phi_{m+1,n}^i)^{(j+1)} + W_{m,n}^i (\phi_{m,n+1}^i)^{(j+1)} \right] - (\Omega_{\phi} - 1) (\phi_{m,n}^i)^{(j)}, \quad j \geq 0
 \end{aligned}$$

The best results are obtained when $\Omega_{\beta} = \Omega_{\phi} = \bar{\Omega}$ and $1 < \bar{\Omega} < 1.2$.

It is evident, that in the case when $h_z^+ = h_z^- = \rightarrow \infty$ Eqs. (5 and 6) become identical with the two-sweep equations used in the two-dimensional diffusion theory programme HEXAGA-II /1/.

2. The Iteration Process

A special strategy of outer-inner iterations is used in HEXAGA-III in which a number of inner iterations, I, given as an input value ($1 \leq I \leq 8$) is fixed for all energy groups, G, in a given outer iteration. The scattering sources are recalculated after each group calculation, that is, after each, I, inner iterations. The fission sources $S_{m,n}^i$ and k_{eff} are recalculated after each outer iteration, j, that is,

$$(S_{m,n}^I)^{(j)} = \sum_{g=1}^G v \Sigma_g^F (\phi_{m,n}^I)^{(j)} \quad (7)$$

and in recent versions of HEXAGA-III the convergence rate of fission sources is accelerated by means of a usual relaxation technique, as follows

$$(S_{m,n}^I)^*_{(j)} = \omega_s (S_{m,n}^I)^{(j)} - (\omega_s - 1) (S_{m,n}^I)^{(j-1)} \quad (8)$$

and

$$k_{eff}^{(j)} = \int_v S_{*}^{(j)} dv \quad (9)$$

where ω_s is a relaxation factor specified in the input (it is recommended to use $1 \leq \omega_s \leq 1.5$) and the integration of sources is approximated by the trapezoidal method. For the next outer iteration, new sources are re-normalized, as follows

$$(S_{m,n}^I)^{(j+1)} = \frac{1}{k_{eff}^{(j)}} (S_{m,n}^I)^*_{(j)} \quad (10)$$

To start the iteration process, a zero initial guess is made for vectors $\beta^{(0)}$ and $\phi^{(0)}$ (all components of both vectors $\beta^{(0)}$ and $\phi^{(0)}$ are set equal to zero in all energy groups). A flat fission source $S^{(0)}$ is taken for the whole core region. It has been observed that such initial guesses for $\beta^{(0)}$, $\phi^{(0)}$ and $S^{(0)}$ minimize the number of outer iterations.

The outer iteration index, j , coincides with the inner iteration index, I , only for $I=1$. For $I > 1$, the inner iterations for the spatial flux performed by the two-sweep equations Eqs.(6) are repeated I times for every energy group, g , ($g = 1, \dots, G$). Thus, for any convergent iteration process up to the outer iteration j_0 the total number of inner iterations is equal to $j_0 \cdot I \cdot G$. It has been observed in numerical experiments that the use of a few inner iterations per outer iteration ($1 \leq I \leq 3$) provides the minimum CPU time and computer costs. In principle, the optimal number of inner iterations per outer iteration is determined by the programme for a given problem, however, it may be also specified by the user in the input.

The iterative process continues until the following convergence criteria are fulfilled:

- until the maximum number of outer iterations has been reached

$$j = j_{\max} \quad (11)$$

- or the following inequalities are satisfied

$$\left| \frac{k_{\text{eff}}^{(j+1)} - k_{\text{eff}}^{(j)}}{k_{\text{eff}}^{(j+1)}} \right| < \epsilon_k \quad (12)$$

and

$$\left| \frac{\phi_{(I)}^{(j+1)} - \phi_{(I-1)}^{(j+1)}}{\phi_{(I)}^{(j+1)}} \right| < \epsilon_\phi \quad (13)$$

for all energy-space mesh points, where values of j_{\max} , I , ϵ_k , ϵ_ϕ are specified in the input data. In the case where $I = 1$, $\phi_{(I-1)}^{(j+1)}$ is replaced by $\phi_{(I)}^{(j)}$.

3. The Estimate of Relaxation Factors

The problem of the estimate of optimum relaxation factors, Ω_B and Ω_ϕ is not unequivocally solved up to now and it is still under development. The appropriate subroutine for the estimate of optimum relaxation factors a priori, in HEXAGA-III will be published in an addendum to this report. However it is preliminary solved in present versions of HEXAGA-III by using the following empirical formulae for Ω_B and Ω_ϕ .

$$\bar{\Omega} = \Omega_B = \Omega_\phi = \frac{1.19}{1.19 - 0.19\rho(\mathcal{A})} \quad (14)$$

where

$$\rho(\mathcal{A}) = \max_{1 \leq g \leq G} \rho(\mathcal{A}_g)$$

and $\rho(\mathcal{A}_g)$ is the spectral radius of the iteration matrix in the AGA two-sweep method for a given group g .

This estimate based on the above empirical formulae derived from the analysis of numerical results provides a relatively good approximation of optimum relaxation factors. The time required to estimate $\bar{\Omega}$ by the programme amounts to about one percent of the total time of calculations for a given reactor problem. It should be mentioned that there exists, a possibility of using the values of Ω_B and Ω_ϕ (not necessarily $\Omega_B = \Omega_\phi$) specified by the user in the input with omitting the estimation of these parameters by the programme.

IV. INPUT DESCRIPTION

Since there is a close analogy of HEXAGA-III to its two-dimensional counterpart HEXAGA-II /1/ the preparation of input data is similar for both programmes.

The HEXAGA-III input data prepared mainly in the form of a card deck and the same for both versions HEXAGA-III-120 and -30 consist of a series of input variables describing, for a given reactor problem, successively, its size, the distribution of material compositions in particular horizontal layers, material composition, group constants and parameters determining the

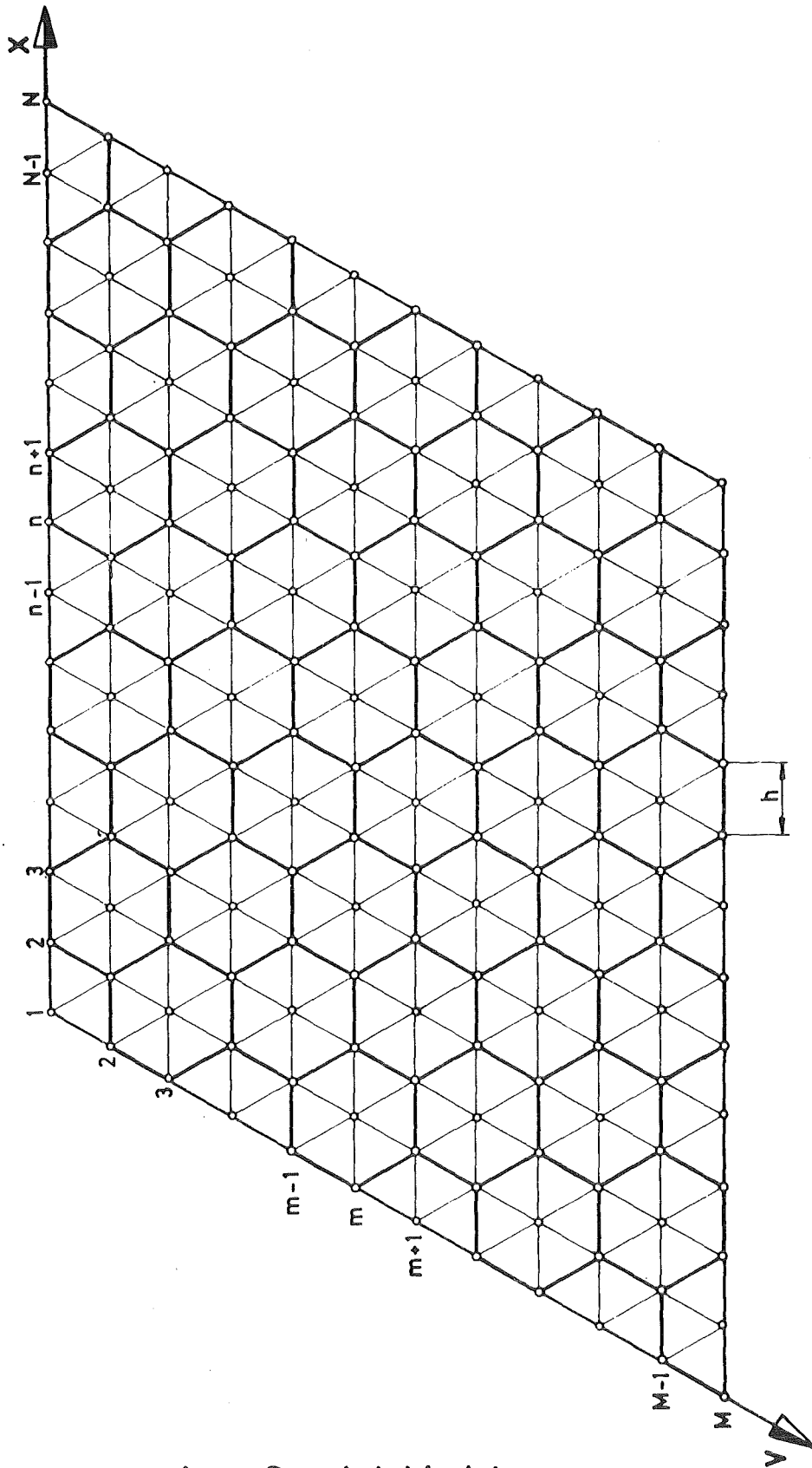


FIG.5

1-st Spatial Model

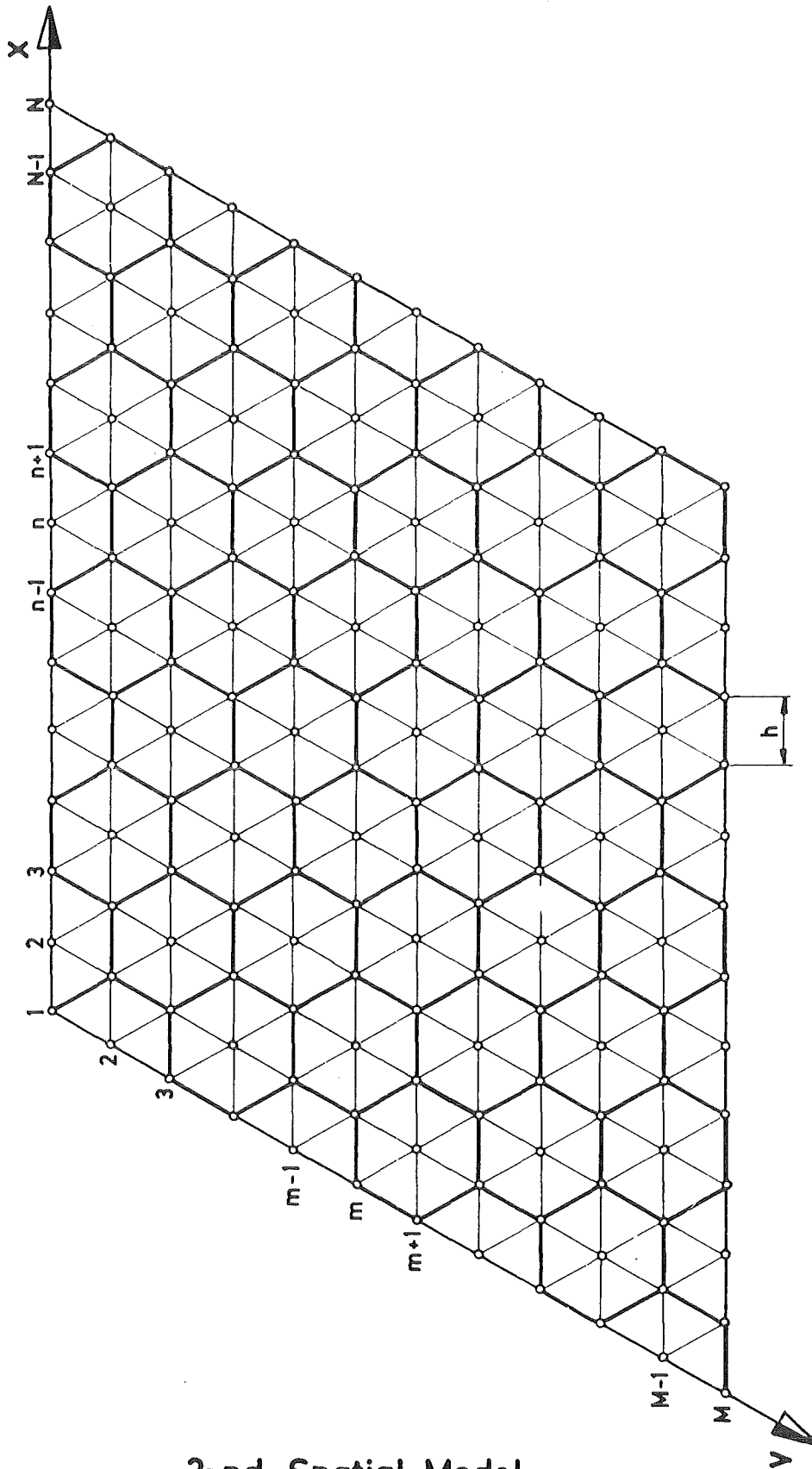


FIG.6

2-nd Spatial Model

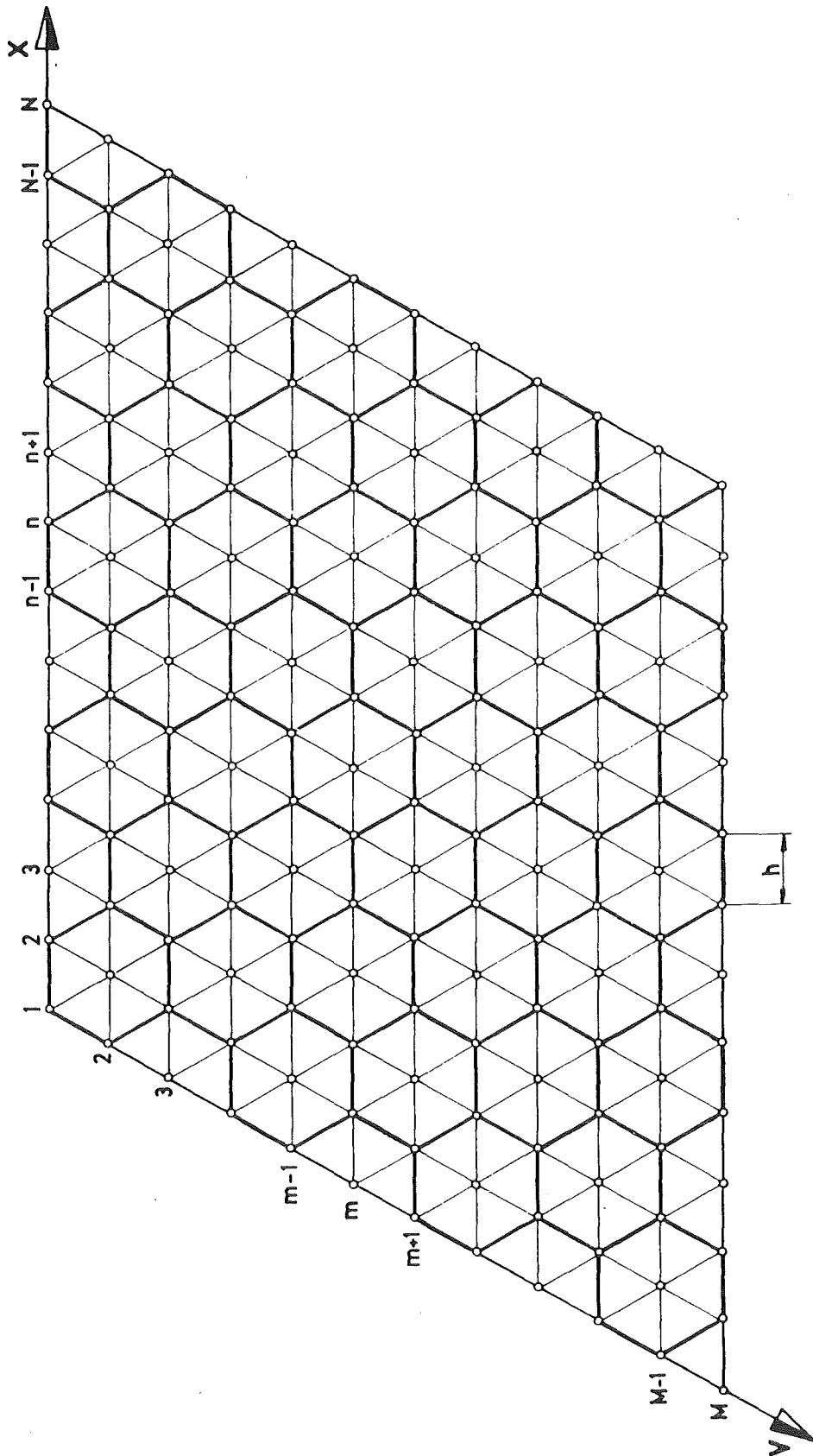


FIG.7

3-rd Spatial Model

iteration process. There is the possibility of transmission of cross sections extracted from a SIGMN-Block /5/ stored on an external file; this feature is due to G. Buckel of INR Karlsruhe Nuclear Research Center.

The calculational model used in HEXAGA-III is shown in Fig.1 where the reactor consists of horizontal layers homogeneous in the axial direction. Each layer is divided by horizontal cuts into a number of slices. In each axial layer, the mesh spacing h_z is assumed to be constant, however, h_z may change from one axial layer to the next one. Though HEXAGA-III is a code for z-triangular geometry, the description of material compositions inside the mesh is given in the input basically as for z-hexagonal geometry. That is, six adjacent triangular prisms, are grouped in one hexagonal prism (see Fig.3). The layout of the horizontal cross section of the reactor must be enclosed by a 120-degree parallelogram, in the case of HEXAGA-III-30 by the 120-degree rhombus. The left upper corner of this parallelogram is taken as the origin of an oblique coordinate system x-v (see Fig.2). Now, a mesh of regular hexagons is superimposed upon this parallelogram according to Figs. 5, 6 and 7 illustrating three possibilities for choosing the location of hexagons relative to the origin of the coordinate system. These three arrangements of the hexagonal mesh will be called the 1st, 2nd and 3rd spatial models, corresponding to Fig. 5, 6 and 7 respectively. The boundaries of the parallelogram cut some hexagons in pieces. These cut hexagons are also referred to as full hexagons in the input.

In this hexagonal description of the triangular mesh a horizontal plane representative for all axial layers is chosen in which we specify the type of hexagons by means of identification numbers and locations of hexagons in the mesh. The hexagons denoted by the same identification number contain the same material structure in a given layer. If there is nonuniform material structure in the transverse cross section of hexagons, one has to create new identification numbers for this type of hexagons indicating, additionally, triangle identification numbers corresponding to the six triangles numbered according to the sequence shown in Figs. 2 and 3.

There are two possibilities for the specification of hexagon locations in the mesh. The first possibility consists in the specification of the array containing the identification numbers of hexagons the centers of which coincide with mesh points of a given line parallel to axis x, line by line, from top to bottom, according to one of three spatial models represented in Figs. 5, 6 and 7. In the case when a given hexagon identification number represents a major part of hexagons in the mesh then this identification number is located in the mesh by the programme and for the remaining identification numbers we specify the indices of centers of hexagons. Next, for each layer from up to down the proper material composition number is assigned to each hexagon identification number.

Input Card Description

In the table below, formats and meaning of input variables together with comments on their use are described in the sequence in which they occur in particular cards or card sets.

Card or Card set number	Format	Name	Description
1/	(10A8)	Title card	80 alphanumerical characters are permitted
2/1/	(20I4)	NOM	Spatial model number $1 \leq \text{NOM} \leq 3$, depending on the location of hexagons at the origin of the oblique coordinate system x-v; the value of NOM corresponds to one of three spatial model numbers represented in Figs. 5, 6 and 7.
		M	Number of mesh lines parallel to the axis x in horizontal plane (see Fig.2).
		N	Number of mesh lines parallel to the axis v in horizontal plane (see Fig.2). <u>Note:</u> In the case of using HEXAGA-III-30, M=N.
		NZ	Number of horizontal layers with the homogeneous material structure in the axial direction.
		NOG	Number of energy groups, $2 \leq \text{NOG} \leq 40$.
		MDS	Maximum number of energy groups throughout which neutrons are downscattered. $1 \leq \text{MDS} \leq \text{NOG} - 1$.
		NOTHG	Number of thermal groups $1 \leq \text{NOTHG} \leq \text{NOG} - 1$
		NOC	Number of different material compositions $\text{NOC} \leq 999$
		NOFC	Number of different fissionable material compositions, $\text{NOFC} \leq \text{NOC}$ (if macroscopic cross section are transferred from SIGMN-block - $\text{NOFC} = \text{NOC}$)

NBASIC Only NBASIC=0 can be used

NOUH Number of different uniform hexagons that is, hexagons which have the same material structure in all six triangles.

NOH Number of all different hexagons, that is, uniform and non-uniform hexagons which have a different material structure in all six triangles, $NOH \geq NOUH$.

NUC Upper boundary plane condition indicator.

NLC Left boundary condition indicator in the horizontal cross section of reactor.

NTC Top boundary condition indicator in the horizontal cross section of reactor.

NRC Right boundary condition indicator in the horizontal cross section of reactor.

NBC Bottom boundary condition indicator in the horizontal cross section of reactor.

NDC Down boundary plane condition indicator. Each of these six indicators can be equal to one of those given below

- 0 - corresponds to zero flux
- 1 - corresponds to zero current
- 2 - corresponds to a logarithmic derivative boundary condition, where the parameter α in Eq.(2) is taken to be constant along the corresponding outer boundary.

NAD $0 \leq NAD \leq 2$

- 0 - real flux calculations are executed only
- 1 - both real and adjoint flux calculations are executed
- 2 - adjoint flux calculations are executed only.

NAUDI = 0 - the HEXAGA-III output is not stored on an external file

- 1 - the HEXAGA-III output is stored on the external file with the data set reference number 21 for the transmission to the AUDI-3 Code /7/ with the printing of macroscopic group constants, fluxes and sources.

2 - the HEXAGA-III output is stored on the external file with the data set reference number 21 for the transmission to the AUDI-3 code without the printing of macroscopic group constants, fluxes and sources.

2/2/ (20I4) N Z P (N Z) Array of numbers of plane intervals taken to be constant along a given horizontal layer specified successively from 1st upper layer to the NZ-th-lower layer.

2/3/ (F10.5) H Mesh width of triangular mesh of the horizontal planes given in centimeters (see Fig. 2).

2/4/ (8F10.5) H Z (N Z) Array of distances of successive layer interfaces from the upper horizontal plane of reactor given in centimeters.

3/1/ (20I4) The one-dimensional array of hexagon identification numbers specified from left to right for successive hexagons the centers of which coincide with a given mesh line parallel to the axis x in the horizontal plane of the parallelogram chosen according to the spatial model (see. Fig. 5,6 and 7). This array is repeated for each mesh line from top to bottom of the parallelogram. The hexagon identification numbers must be less or equal to the value of NOH.

3/1/1/ (6I4,I6) If $NOH > NOUH$ we specify the identification numbers for six triangles corresponding to the order of numbering of triangles shown in Figs. 2 and 3 only for each successive non-uniform hexagon followed by its identification number NH where $NH=NOUH+1, NOUH+2, \dots, NOH$. For uniform hexagons, that is, for $NH=1,2, \dots, NOUH$ the triangle identification numbers are specified by the programme and their values correspond to the hexagon identification number.

3/2 / (20I4)

The one-dimensional array of numbers representing the material composition numbers given for each layer from up to down of reactor. Position of this sequence of material composition numbers corresponds to hexagon or triangle identification numbers. The input of each layer is treated as one card set.

4/

Group constant specifications must be provided for each material composition. Two possibilities are allowed:

a) Input as a card deck or from an external file stored in the card image format.

Mixing of these two input forms is allowed

b) Transmission of group constants from a SIGMN-block /5/; stored on an external file.

4/1/ (2I4)

INCS Indicator for reading in group constants
 = 1 - group constants given as a card deck
 < 0 - group constants given on an external file in card image format with data set reference number |INCS| and |INCS|>1.
 0 - group constants must be transferred from SIGMN-block.

NSP - material composition number,
 $1 \leq \text{NSP} \leq \text{NOC}$, if INCS \neq 0
 - data reference number of the SIGMN-block, if INCS = 0.

If INCS = 0, turn to card sets 5

4/2/ (6E13.6)

DIF(NO)G Array of macroscopic total removal cross sections energy groups

4/3/

SIGT(NO)G

Array of macroscopic total removal cross sections Σ_g^T for all energy groups

$$\Sigma_g^T = \Sigma_g^A + \sum_{\substack{g=1 \\ g \neq g'}}^G \Sigma_{g \rightarrow g'}^S$$

where

Σ_g^A - macroscopic absorption cross section

$\Sigma_{g \rightarrow g'}^S$ - macroscopic scattering cross section from group g to g'.

4/4 / If a given value of NSP corresponds to a fissionable material composition, that is, $NSP \leq NOFC$, two arrays for $\nu\Sigma_g^F$ and χ_g must be specified. It should be noticed that all fissionable material compositions must be denoted by the numbers from 1 to NOFC. For $NSP > NOFC$, both arrays are omitted in the input. However, if a given material composition is in reality unfissionable but was declared as a fissionable composition, zero values of $\nu\Sigma_g^F$ and values of χ_g with $\sum_1^G \chi_g = 1$ must be specified for all energy groups in the input.

4/4/1/ NUSIGF(NOG) Array of macroscopic production fission cross section $\nu\Sigma_g^F$ for all energy groups.

4/4/2/ CHI(NOG) Array of fission source fractions χ_g for all energy groups.

Note:In the present version of the programme the values of χ_g specified for the last fissionable material composition in the input data are used for all material compositions.

4/5/ SIGDS(NOG-1, MDS) Array of macroscopic down-scattering cross sections $\Sigma_{g \rightarrow g'}^{ds}$, whose values for $MDS > 1$ are specified as follows:

4/5/1/ $\Sigma_{1 \rightarrow 2}^{ds} ; \Sigma_{1 \rightarrow 3}^{ds}, \dots, \Sigma_{1 \rightarrow MDS+1}^{ds}$

4/5/2/ $\Sigma_{2 \rightarrow 3}^{ds}, \Sigma_{2 \rightarrow 4}^{ds}, \dots, \Sigma_{2 \rightarrow MDS+2}^{ds}$

.....

4/5/NOG-2/ $\Sigma_{NOG-2 \rightarrow NOG-1}^{ds}, \Sigma_{NOG-2 \rightarrow NOG}^{ds}$

4/5/NOG-1/ $\Sigma_{NOG-1 \rightarrow NOG}^{ds}$

4/6 / If there is more than one thermal group, $NOTHG > 1$, we must provide the following triangular array:

SIGUS(NOTHG-1, NOTHG-1) Array of macroscopic upscattering cross sections $\Sigma_{g' \rightarrow g}^{us}$ whose values in a general case are specified as follows:

4/6/1/ $\Sigma_{I+1 \rightarrow I}^{us}, \Sigma_{I+2 \rightarrow I}^{us}, \dots, \Sigma_{NOG \rightarrow I}^{us}$

4/6/2/ $\Sigma_{I+2 \rightarrow I+1}^{us}, \Sigma_{I+3 \rightarrow I+1}^{us}, \Sigma_{NOG \rightarrow I+1}^{us}$

.....

4/6/NOTHG-2/

$$\sum_{\text{NOG}-1 \rightarrow \text{NOG}-2}^{\text{us}}, \sum_{\text{NOG} \rightarrow \text{NOG}-2}^{\text{us}}$$

4/6/NOTHG-1/

$$\sum_{\text{NOG} \rightarrow \text{NOG}-1}^{\text{us}}$$

where I = NOG - NOTHG + 1

Note: The above sequence of data beginning from 4/1/ must be repeated NOC times, that is, for each material composition.

However, if |INCS| > 1, the data from 4/2 to 4/6 are omitted for this composition in the card deck, because they are stored on the external file with the data set number equal to |INCS|.

5/ (E11.5)

If at least one of the values of NUC, NLC, NTC, NRC, NBC and NDC is equal to 2, we specify the parameters α of Eq.(2) in the sequence in which they are occurring in the above sequence of variables, This sequence of parameters α , if it exists, must be repeated successively for all energy groups.

6/ (4I4, 2F8.4, 2E9.1, 2I4, F8.4)

INIT = 0 - fluxes and sources are not stored on an external file.

= 1 - first fluxes and next sources are stored on the external file with data set reference number 21.

= 2 - only fluxes are stored on the external file with data set reference number 21.

MAXO Maximum number of outer iterations.

MAXI Maximum number of inner iterations per outer iteration, $1 \leq \text{MAXI} \leq 8$.

MINI Minimum number of inner iterations per outer iteration, $1 \leq \text{MINI} \leq 8$.

Note: If MAXI = MINI = 1 the values of MAXI and MINI are recalculated by the programme with the assumption that MAXI = MINI. If MAXI = 1 and MINI > 1 the programme runs with the values of MAXI = MINI = 1. If MAXI = MINI > 1, the number of inner iterations equal to MAXI is performed in all outer iterations. For MAXI > MINI, the following strategy is used: In the first MAXI-MINI outer iterations

the number of inner iterations fixed for all energy groups is decreased by one in successive outer iterations starting with MAXI. This is continued until the number of inner iterations reaches the value of MINI; then this number of inner iterations is fixed for the remaining outer iterations.

- OMB Relaxation factor Ω_{β} (see explanations given below for NOMEGA).
- OMF Relaxation factor Ω_{ϕ} (see explanations given below for NOMEGA).
- EPS Point convergence criterion for neutron flux (see Eq.(13)).
- EPL Convergence criterion for k_{eff} (see Eq.(12)).
- NOMEGA = 0 - value of Ω_{β} and Ω_{ϕ} specified in the input are used in the iteration process.
- = 2 - values of Ω_{β} and Ω_{ϕ} are calculated by the programme for the iteration process independent of their values specified in the input.
- NCON = 0 - fluxes and sources are printed without starting a new problem.
- = 1 - fluxes and sources are printed and then reading of a new problem is started.
- = 2 - printing of fluxes and sources is omitted in the output, but a new problem is started.
- OMS Relaxation factor ω_s for the acceleration of the convergence rate of sources, $1 \leq \omega \leq 1.5$.

V. PROGRAMMING INFORMATION

1. Description of the HEXAGA-III Programme

HEXAGA-III consists of six main subroutines

INPUT
MATREL
REORD
EIGEN
ITERAT
ADITER

which are called by the main programme in the above sequence.

INPUT provides the description of the problem to be solved and prints the distribution of material structure in the three-dimensional space of the reactor and reprints the group constants.

In MATREL, the coefficients of Eqs.(3 and 5) are calculated, that is, the coefficients of difference equations, coefficients used for the calculation of scattering and fission terms and coefficients of recursive formulae used in the two-sweep equations (5).

REORD reorders all records on external files in a sequence suitable for the iteration processes executed in EIGEN, ITERAT, and ADITER.

EIGEN provides the estimate of the relaxation parameters based on the empirical formula, Eq.(14) with the calculation of the spectral radius $\rho(\mathcal{A})$ by means of the power method.

In ITERAT, the real system of difference equations is solved by means of the AGA Double SOR two-sweep iterative method.

In ADITER, the adjoint system of difference equations is solved also by means of the AGA Double SOR two-sweep iterative method.

HEXAGA-III uses nine external files with data set reference numbers 12, 13, 14, 15, 16, 17, 18, 20, 21 for real flux calculations and two auxiliary files 22 and 23 for adjoint flux calculations. The above files used in ITERAT or ADITER serve as storage for the following data:

File 12 - coefficients used in the recurrence formulae of the AGA method (Eqs.(5)).

13 - coefficients used for the calculation of scattering terms and fission sources (Eq.(1a)).

14 - components of β (for former or current outer iteration)

15 - components of ϕ (for former or current outer iteration)

16 - components of β (for former or current outer iteration)

17 - components of ϕ (for former or current outer iteration)

18 - fission sources (for former or current outer iteration)

20 - fission sources (for former or current outer iteration)

These six last files are used in the flip-flop form.

19 - used only in HEXAGA-III-120

21 - used for the preparation of output for AUDI-3

In the case of adjoint calculation, the data stored on files 12 and 13 are reordered and restored on files 22 and 23, respectively.

2. Memory Requirements

HEXAGA-III without overlay structure occupies about 100 K bytes of core region. For any special case considered one has to take into account further storage requirements for

(a) dynamic storage:

HEXAGA-III-30: 52 times the number of mesh points of the three-dimensional 30-degree sector of the reactor

HEXAGA-III-120: 64 times the number of mesh points of the 120-degree parallelogram in horizontal plane plus 12 times the number of mesh points of the three dimensional 120-degree sector of the reactor.

- (b) buffers: 18 buffers for real flux calculations
- 22 buffers for adjoint flux calculations
- 2 additional buffers if fluxes and sources have to be stored
- The length of buffers should be specified by the user.

3. External File Space Requirements

For data storage a space has to be reserved on particular external files. This space can be calculated for each file, as follows:

$$\text{File 12 : } S_{12} = 4 \times \text{NOG} \times (8 \times \text{MTNZ} + 1) + \text{MTNZ}$$

$$\text{File 13 : } S_{13} = 8 \times \text{NOG} \times (\text{MTNK} + 1) + 2 \times \text{MDS} \times (2 \times \text{NOG} - \text{MDS} - 1) \\ \times (\text{MTNK} + 1) + 2 \times \text{NOTHG} \times (\text{NOTHG} - 1) \times (\text{MTNK} + 1)$$

$$\text{File 14 : } S_{14} = \max \begin{cases} 4 \times \text{NOG} \times (\text{MTNZ} + 1) \\ 8 \times \text{NOG} \times (\text{MTNK} + 1) \end{cases}$$

$$\text{File 15 : } S_{15} = \max \begin{cases} 4 \times \text{NOG} \times (\text{MTNZ} + 1) \\ 2 \times \text{NOG} \times (\text{N} + 1) \times (\text{N} + \text{MDS} + 1) \\ 2 \times \text{NOTHG} \times (\text{NOTHG} - 1) \times (\text{MTNK} + 1) \end{cases}$$

$$\text{File 16 : } S_{16} = \max \begin{cases} 4 \times \text{NOG} \times (\text{MTNZ} + 1) \\ 2 \times \text{MDS} \times (2 \times \text{NOG} - \text{MDS} - 1) \times (\text{MTNK} + 1) \end{cases}$$

$$\text{File 17 : } S_{17} = S_{16}$$

$$\text{File 18 : } S_{18} = 4 \times (\text{MTNZ} + 1)$$

$$\text{File 19 : } S_{19} = 4 \times (8 \times \text{MTNZ} + 1) \text{ used only in HEXAGA-III-120}$$

$$\text{File 20 : } S_{20} = S_{18}$$

$$\text{File 21: } 4 \times (2 \times \text{NOG} + 1) \times (\text{MTNZ} + 1) \text{ record of the output}$$

$$\text{File 22: } S_{22} = S_{12} \text{ used only for adjoint calculations}$$

$$\text{File 23: } S_{23} = S_{13} \text{ used only for adjoint calculations}$$

MTN - number of mesh points in horizontal plane

MTN = M x N for HEXAGA-III-120

MTN = M + (M - 2) + (M - 4)..... for HEXAGA-III-30

MTNK = MTN x (2 x NZ + 1)

MTNZ = MTN x [1 + NZP(1) + NZP(2)..... + NZP(NZ)]

total number of mesh points

The values of S are expressed in bytes and M, N, NZ, NOG, MDS, and NOTHG denote the number of mesh points in the x direction, the number of mesh points in the v direction (see Fig.2), the number of horizontal layers, the number of energy groups, the maximum number of energy groups throughout which neutrons are downscattered and the number of thermal groups, respectively.

VI. NUMERICAL EXAMPLE

The sample problem presented for an illustration of HEXAGA-III has been developed from the MARK I core design of the SNR-300 prototype fast breeder reactor described exactly in Ref. 6. The reactor consists of a two-zone core with one radial and two axial blankets. There are two rings of control rods, 6 in the inner core zone and 12 along the boundary between the two core zones. In the z-direction, the absorber rods are inserted in the inner ring up to the upper core-blanket interface and in the outer ring up to the middle of the core. Only six different material compositions are used. Material 1 and 2 are the inner and outer core zones, respectively, whereas material 3 and 4 represent the radial and axial blankets, respectively. Finally, numbers 5 and 6 stand for absorber and follower, respectively.

The calculation model for this problem is the 120-degree sector in z-triangular geometry with the 30-degree symmetry. Four horizontal layers are cut successively from up to down into 4, 5, 5 and 4 slices which give 19 horizontal planes with 18 x 18 triangular mesh grid. Thus, the number of mesh points of 120-degree sector is equal to $18 \times 18 \times 19 = 6156$.

The logarithmic boundary conditions are used on the outer reactor boundaries.

Input data sheets with denoted card sets numbers according to the description of the input data preparation are given below.

The output of this problem provides an illustration of the HEXAGA-III output. (In HEXAGA-III-30 fluxes are always printed for 120-degree parallêlogram).

The calculations have been performed by means of HEXAGA-III-30 on the SIEMENS 7890-F computer (equivalent to IBM 3081K) with assuming $\epsilon_{\phi} < 10^{-4}$ and $\epsilon_{keff} < 10^{-5}$ for three problems. These problems differ only with the size of mesh steps.

B1 corresponds to the original problem described above. In the problems B2 and B3 both horizontal and axial mesh steps are divided by factors 2 and 3, respec-

tively to the B1 problem. It should be noticed that the input data for B2 and B3 have been produced automatically by means of the two auxiliary programmes HEXI-32 and HEXI-33, respectively.

The following table on page 34 summarising the results obtained by three calculations shows for increasing numbers of mesh points a reduction of CPU time per mesh point per inner iteration. A similar behaviour has been observed also in thermal reactor calculations. This tendency suggests that HEXAGA-III should be an effective programme for reactor problems described by a large number of mesh points. Moreover, it should be mentioned that the CPU time per mesh point per neutron energy group approximately amounts to about 1 msec (using the convergence criteria mentioned before).

This average value deduced from this result of a lot of calculations (for different types of reactors) can be used for an a-priori estimate of CPU time for a given problem to be solved on a SIEMENS 7890-F computer by HEXAGA-III-30. HEXAGA-III permits diffusion calculations in 3 space dimensions for a maximum number of mesh points of about 130000, independently of the number of energy groups.

SNR-300 reactor

Problem	No. of mesh points	Core region in k bytes	Ω	No. of outer iters.	Total no. of inner iters.	k_{eff}	CPU time in sec.	CPU time per mesh pt. per inner iter. in μ sec	CPU time per mesh pt. per neutron group in msec	CPU costs in DM	Total costs in DM
B1	1710	664	1.170	17	136	1.007201	6.19	26.6	0.90	1.24	15.
B2	11988	1108	1.195	28	224	1.010425	29.18	10.9	0.61	5.87	86.
B3	38610	2220	1.215	50	400	1.011054	138.06	8.9	0.89	27.80	427

DATENKARTEN

Programm HEXAGA - III SAMPLE PR. B1 Datum _____ Name _____ Blatt-Nr. 1

101	201	301	401	501	601	701	801
//.....JOB..CARD.....							
// REGION=1024K, TIME=(00, 20)							
//*MAIN SYSTEM=M7890							
//*MAIN LINES=6							
// EXEC F7CLG							
//C.SYSIN DD DSN=INR168.HEXA320.FORT, DISP=SHR							
//G.FT12F001 DD UNIT=SYSDA, SPACE=(19069,(40,10)),							
// DCB=(BLKSIZE=19069, RECFM=VBS)							
//G.FT13F001 DD UNIT=SYSDA, SPACE=(19069,(20,10)), DCB=*..FT12F001							
//G.FT14F001 DD UNIT=SYSDA, SPACE=(19069,(20,10)), DCB=*..FT12F001							
//G.FT15F001 DD UNIT=SYSDA, SPACE=(19069,(20,10)), DCB=*..FT12F001							
//G.FT16F001 DD UNIT=SYSDA, SPACE=(19069,(20,10)), DCB=*..FT12F001							
//G.FT17F001 DD UNIT=SYSDA, SPACE=(19069,(10,10)), DCB=*..FT12F001							
//G.FT18F001 DD UNIT=SYSDA, SPACE=(19069,(10,10)), DCB=*..FT12F001							
//G.FT19F001 DD UNIT=SYSDA, SPACE=(19069,(10,10)), DCB=*..FT12F001							
//G.FT20F001 DD UNIT=SYSDA, SPACE=(19069,(10,10)), DCB=*..FT12F001							

DATENKARTEN

Programm HEXAGA-III INPUT DATA Datum _____ Name _____ Blatt-Nr. 1

	101	201	301	401	501	601	701	801												
1/	SNR-300 PROTOTYPE FAST BREEDER REACTOR PROBLEM																			
2/1/	1	18	18	4	4	3	1	6	4	0	5	5	2	1	1	2	2	2	1	0
2/2/	4	5	5	4																
2/3/	6.4665																			
2/4/	40.0		87.5		135.0		175.0													
3/1/	1	1	1	2	2	3														
	1	1	1	2	3	3														
	1	1	1	4	2	3														
	1	1	5	1	2	3														
	1	1	1	2	3	3														

DATENKARTEN

Programm _____ Datum _____ Name _____ Blatt-Nr. 2

	101	201	301	401	501	601	701	801
1	1	1	2	2	3			
1	5	1	1	2	3			
1	1	1	2	3	3			
1	1	1	4	2	3			
2	1	1	2	2	3			
4	2	4	2	3	3			
2	2	2	2	2	3			
2	2	2	2	2	3			
2	2	2	2	3	3			
3	3	3	3	3	3			
3	3	3	3	3	3			
3	3	3	3	3	3			
3	3	3	3	3	3			
3	3	3	3	3	3			
3/2/								
4	4	3	5	5				

DATENKARTEN

Programm _____ Datum _____ Name _____ Blatt-Nr. 3

101	201	301	401	501	601	701	801
1	2	3	5	6			
1	2	3	6	6			
4	4	3	6	6			
4/1/							
1	1						
.287679E+01 .157085E+01 .722486E+00 .964199E+00							
.282040E-01 .527470E-02 .176120E-01 .265460E-01							
.118780E-01 .532520E-02 .104710E-01 .266110E-01							
.768000E+00 .232000E+00 0. 0.							
.235970E-01 .407910E-05 .444930E-07							
.161530E-02 .423090E-07							
.468380E-02							
1	2						
.287654E+01 .157136E+01 .712708E+00 .942978E+00							
.287820E-01 .604910E-02 .195100E-01 .337140E-01							
.149430E-01 .768870E-02 .148090E-01 .381590E-01							

DATENKARTEN

Programm _____ Datum _____ Name _____ Blatt-Nr. 4

101	201	301	401	501	601	701	801
.768000E+00	.232000E+00	0.	0.				
.232620E-01	.464510E-05	.499680E-07					
.157180E-02	.407240E-07						
.434140E-02							
1	3						
.228561E+01	.117193E+01	.632475E+00	.818357E+00				
.359590E-01	.588550E-02	.160410E-01	.133490E-01				
.774270E-02	.108250E-03	.297420E-03	.846870E-03				
.768000E+00	.232000E+00	0.	0.				
.320710E-01	.388800E-05	.450390E-07					
.277760E-02	.900180E-07						
.589710E-02							
1	4						
.271665E+01	.144094E+01	.720347E+00	.987684E+00				
.290930E-01	.449090E-02	.130820E-01	.995620E-02				
.542790E-02	.758570E-04	.212180E-03	.575920E-03				

DATENKARTEN

Programm _____ Datum _____ Name _____ Blatt-Nr. 5

10	20	30	40	50	60	70	80
.768000E+00	.232000E+00	0.	0.				
.263220E-01	.289070E-05	.332480E-07					
.228890E-02	.621330E-07						
.535360E-02							
1	5						
.250307E+01	.131467E+01	.574277E+00	.615370E+00				
.248140E-01	.164120E-01	.721220E-01	.168680E-00				
.229460E-01	.103200E-05	.104890E-07					
.376870E-02	.703610E-11						
.868150E-02							
1	6						
.461642E+01	.290183E+01	.102118E+01	.172963E+01				
.131590E-01	.145590E-02	.460010E-02	.786600E-03				
.129420E-01	.687800E-06	.699030E-08					
.128710E-02	.436330E-11						
.345330E-02							

DATENKARTEN

Programm ----- Datum ----- Name ----- Blatt-Nr. 7 -----

10	20	30	40	50	60	70	80
.46948E+00							
6/							
0 100 2 2	1.1700	1.1700	1.0E-05	1.0E-06	0	0	1.0000

SNR-300 PROTOTYPE FAST BREEDER REACTOR PROBLEM

1 TYPE OF HEXAGONAL MESH ARRANGEMENT

1710 MESH POINTS

90 MESH POINTS IN 30-DEGREE TRIANGLE

324 MESH POINTS IN 120-DEGREE PARALLELOGRAM

19 PLANES

4 LAYERS

4 NEUTRON GR.

1 THERMAL GR.

3 NEUTRON GR. THROUGHOUT WHICH NEUTRONS ARE DOWN-SCATTERED

6 MATERIAL COMP.

4 FISSIONABLE COMP.

OUTER BOUNDARY COND: UPPER - LOGARITHMIC

LEFT - FLUX DERIVATIVE EQUAL TO ZERO

TOP - FLUX DERIVATIVE EQUAL TO ZERO

RIGHT - LOGARITHMIC

BOTTOM - LOGARITHMIC

DOWN - LOGARITHMIC

TRIANGULAR MESH STEP: 6.46650 CM

LAYER NR	AXIAL MESH STEP	PLANE NR	HZ
1	10.00000	1	0.0
		2	10.00000
		3	20.00000
		4	30.00000
		5	40.00000
2	9.50000	5	40.00000
		6	49.50000
		7	59.00000
		8	68.50000
		9	78.00000
3	9.50000	10	87.50000
		10	87.50000

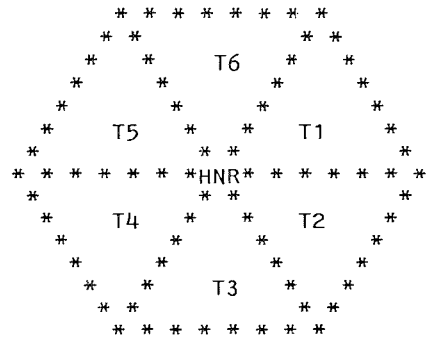
		11	97.00000
		12	106.50000
		13	116.00000
		14	125.50000
		15	135.00000
4	10.00000	15	135.00000
		16	145.00000
		17	155.00000
		18	165.00000
		19	175.00000

THE LOCATION OF HEXAGONS

```

    1  3  5  7  9 11 13 15 17
  // // // // // // // // // //
  1- 1 * * 1 * * 1 * * 2 * * 2 * * 3 * *
    - * * 1 * * 1 * * 1 * * 2 * * 3 * * 3
  3- * 1 * * 1 * * 1 * * 4 * * 2 * * 3 * *
    - 1 * * 1 * * 5 * * 1 * * 2 * * 3 * *
  5- * * 1 * * 1 * * 1 * * 2 * * 3 * * 3
    - * 1 * * 1 * * 1 * * 2 * * 2 * * 3 * *
  7- 1 * * 5 * * 1 * * 1 * * 2 * * 3 * *
    - * * 1 * * 1 * * 1 * * 2 * * 3 * * 3
  9- * 1 * * 1 * * 1 * * 4 * * 2 * * 3 * *
    - 2 * * 1 * * 1 * * 2 * * 2 * * 3 * *
 11- * * 4 * * 2 * * 4 * * 2 * * 3 * * 3
    - * 2 * * 2 * * 2 * * 2 * * 2 * * 3 * *
 13- 2 * * 2 * * 2 * * 2 * * 2 * * 3 * *
    - * * 2 * * 2 * * 2 * * 2 * * 3 * * 3
 15- * 3 * * 3 * * 3 * * 3 * * 3 * * 3 * *
    - 3 * * 3 * * 3 * * 3 * * 3 * * 3 * *
 17- * * 3 * * 3 * * 3 * * 3 * * 3 * * 3
    - * 3 * * 3 * * 3 * * 3 * * 3 * * 3 *
  
```

HEXAGON SPECIFICATION



HNR	T1	T2	T3	T4	T5	T6
1	1	1	1	1	1	1
2	2	2	2	2	2	2
3	3	3	3	3	3	3
4	4	4	4	4	4	4
5	5	5	5	5	5	5

THE PROBLEM WITH 30-DEGREE SYMMETRY

THE MATERIAL SPECIFICATION OF LAYERS

LAYER NUMBER	TRIANGLE NUMBER	MATERIAL COMPOSITION
1	1	4
	2	4
	3	3
	4	5
	5	5
2	1	1
	2	2
	3	3
	4	5
	5	6

3	1	1
	2	2
	3	3
	4	6
	5	6
4	1	4
	2	4
	3	3
	4	6
	5	6

LAYER NR: 1

HNR	T1	T2	T3	T4	T5	T6
1	4	4	4	4	4	4
2	4	4	4	4	4	4
3	3	3	3	3	3	3
4	5	5	5	5	5	5
5	5	5	5	5	5	5

LAYER NR: 2

HNR	T1	T2	T3	T4	T5	T6
1	1	1	1	1	1	1
2	2	2	2	2	2	2
3	3	3	3	3	3	3
4	5	5	5	5	5	5
5	6	6	6	6	6	6

LAYER NR: 3

HNR	T1	T2	T3	T4	T5	T6
1	1	1	1	1	1	1
2	2	2	2	2	2	2
3	3	3	3	3	3	3
4	6	6	6	6	6	6
5	6	6	6	6	6	6

LAYER NR: 4

HNR	T1	T2	T3	T4	T5	T6
1	4	4	4	4	4	4
2	4	4	4	4	4	4
3	3	3	3	3	3	3
4	6	6	6	6	6	6

5
6
6
6
6
6
6
6

MATERIAL SPECIFICATION

COMP	GR NR	DIF	SIGT	NUSIGF	CHI	
1	G					
	1	2.87679E+00	2.82040E-02	1.18780E-02	7.68000E-01	
	2	1.57085E+00	5.27470E-03	5.32520E-03	2.32000E-01	
	3	7.22486E-01	1.76120E-02	1.04710E-02	0.0	
	4	9.64199E-01	2.65460E-02	2.66110E-02	0.0	
		SIGDS				
	G	G-->G+1	G-->G+2	G-->G+3		
	1	2.35970E-02	4.07910E-06	4.44930E-08		
	2	1.61530E-03	4.23090E-08			
	3	4.68380E-03				
	COMP	GR NR	DIF	SIGT	NUSIGF	CHI
	2	G				
1		2.87654E+00	2.87820E-02	1.49430E-02	7.68000E-01	
2		1.57136E+00	6.04910E-03	7.68870E-03	2.32000E-01	
3		7.12708E-01	1.95100E-02	1.48090E-02	0.0	
4		9.42978E-01	3.37140E-02	3.81590E-02	0.0	
		SIGDS				
G		G-->G+1	G-->G+2	G-->G+3		
1		2.32620E-02	4.64510E-06	4.99680E-08		
2		1.57180E-03	4.07240E-08			
3		4.32140E-03				
COMP		GR NR	DIF	SIGT	NUSIGF	CHI
3		G				
	1	2.28561E+00	3.59590E-02	7.74270E-03	7.68000E-01	
	2	1.17193E+00	5.88550E-03	1.08250E-04	2.32000E-01	
	3	6.32475E-01	1.60410E-02	2.97420E-04	0.0	
	4	8.18357E-01	1.33490E-02	8.46870E-04	0.0	
		SIGDS				
	G	G-->G+1	G-->G+2	G-->G+3		
	1	3.20710E-02	3.88800E-06	4.50390E-08		
	2	2.77760E-03	9.00180E-08			
	3	5.89710E-03				
	COMP	GR NR	DIF	SIGT	NUSIGF	CHI
	4	G				
1		2.71665E+00	2.90930E-02	5.42790E-03	7.68000E-01	
2		1.44094E+00	4.49090E-03	7.58570E-05	2.32000E-01	
3		7.20347E-01	1.30820E-02	2.12180E-04	0.0	
4		9.87684E-01	9.95620E-03	5.75920E-04	0.0	

SIGDS

G	G-->G+1	G-->G+2	G-->G+3
1	2.63220E-02	2.89070E-06	3.32480E-08
2	2.28890E-03	6.21330E-08	
3	5.35360E-03		

COMP	GR NR	DIF	SIGT	NUSIGF	CHI
5	G				
	1	2.50307E+00	2.48140E-02	0.0	0.0
	2	1.31467E+00	1.64120E-02	0.0	0.0
	3	5.74277E-01	7.21220E-02	0.0	0.0
	4	6.15370E-01	1.68680E-01	0.0	0.0

SIGDS

G	G-->G+1	G-->G+2	G-->G+3
1	2.29460E-02	1.03200E-06	1.04890E-08
2	3.76870E-03	7.03610E-12	
3	8.68150E-03		

COMP	GR NR	DIF	SIGT	NUSIGF	CHI
6	G				
	1	4.61642E+00	1.31590E-02	0.0	0.0
	2	2.90183E+00	1.45590E-03	0.0	0.0
	3	1.02118E+00	4.60010E-03	0.0	0.0
	4	1.72963E+00	7.86600E-04	0.0	0.0

SIGDS

G	G-->G+1	G-->G+2	G-->G+3
1	1.29420E-02	6.87800E-07	6.99030E-09
2	1.28710E-03	4.36330E-12	
3	3.45330E-03		

LOGARITHMIC BOUNDARY CONDITION PARAMETERS

GR NR	UPPER	LEFT	TOP	RIGHT	BOTTOM	DOWN
1	4.6948E-01	0.0	0.0	4.6948E-01	4.6948E-01	4.6948E-01
2	4.6948E-01	0.0	0.0	4.6948E-01	4.6948E-01	4.6948E-01
3	4.6948E-01	0.0	0.0	4.6948E-01	4.6948E-01	4.6948E-01
4	4.6948E-01	0.0	0.0	4.6948E-01	4.6948E-01	4.6948E-01

ITERATION PROCESS

IT NR	OMEGAB	OMEGAF	K-EFF	K-EFF CONV.	GR NR	FLUX CONV IN INNER ITERS -->	
						1	2
1	1.1700	1.1700	0.831597	1.3747E+04	1	1.00E+00	6.07E-01
					2	1.00E+00	6.86E-01
					3	1.00E+00	1.22E+00
					4	1.00E+00	7.37E-01
2	1.1700	1.1700	0.967375	1.4036E-01	1	4.15E+03	6.61E+00
					2	1.34E+01	8.14E-01
					3	1.08E+01	1.27E+00
					4	2.64E+00	3.68E+00
3	1.1700	1.1700	0.985757	1.8648E-02	1	2.16E+01	2.74E+01
					2	7.54E-01	5.54E-01
					3	6.39E-01	6.05E-01
					4	5.74E-01	1.56E-01
4	1.1700	1.1700	0.995449	9.7365E-03	1	1.14E+00	5.68E-01
					2	9.74E-02	1.12E-01
					3	1.16E-01	8.77E-02
					4	1.02E-01	5.30E-02
5	1.1700	1.1700	1.000792	5.3381E-03	1	1.73E-01	1.37E-01
					2	4.52E-02	4.18E-02
					3	6.39E-02	4.27E-02
					4	5.81E-02	4.61E-02
6	1.1700	1.1700	1.003919	3.1149E-03	1	6.58E-02	7.03E-02
					2	2.51E-02	1.91E-02
					3	3.38E-02	1.84E-02
					4	3.24E-02	1.77E-02
7	1.1700	1.1700	1.005481	1.5537E-03	1	3.48E-02	3.12E-02
					2	1.21E-02	9.75E-03
					3	1.86E-02	1.06E-02
					4	1.76E-02	1.01E-02
8	1.1700	1.1700	1.006275	7.8946E-04	1	2.16E-02	1.40E-02
					2	6.84E-03	4.88E-03
					3	1.02E-02	6.00E-03
					4	9.61E-03	5.70E-03
9	1.1700	1.1700	1.006704	4.2635E-04	1	1.07E-02	6.50E-03
					2	3.73E-03	2.43E-03
					3	5.61E-03	3.36E-03
					4	5.29E-03	3.23E-03
10	1.1700	1.1700	1.006935	2.2924E-04	1	5.08E-03	3.20E-03
					2	2.06E-03	1.26E-03
					3	3.09E-03	1.87E-03

					4	2.91E-03	1.82E-03
11	1.1700	1.1700	1.007059	1.2314E-04	1	2.47E-03	1.66E-03
					2	1.15E-03	7.00E-04
					3	1.71E-03	1.04E-03
					4	1.60E-03	1.02E-03
12	1.1700	1.1700	1.007127	6.7234E-05	1	1.25E-03	8.89E-04
					2	6.42E-04	4.07E-04
					3	9.47E-04	5.79E-04
					4	8.92E-04	5.71E-04
13	1.1700	1.1700	1.007161	3.4094E-05	1	6.67E-04	4.93E-04
					2	3.59E-04	2.36E-04
					3	5.25E-04	3.22E-04
					4	4.95E-04	3.18E-04
14	1.1700	1.1700	1.007181	1.9908E-05	1	3.76E-04	2.76E-04
					2	2.03E-04	1.38E-04
					3	2.95E-04	1.81E-04
					4	2.80E-04	1.82E-04
15	1.1700	1.1700	1.007193	1.1384E-05	1	2.10E-04	1.59E-04
					2	1.14E-04	8.01E-05
					3	1.65E-04	1.03E-04
					4	1.58E-04	1.03E-04
16	1.1700	1.1700	1.007198	5.7220E-06	1	1.19E-04	9.06E-05
					2	6.85E-05	4.58E-05
					3	9.35E-05	5.65E-05
					4	8.52E-05	5.70E-05
17	1.1700	1.1700	1.007201	2.8610E-06	1	6.68E-05	5.34E-05
					2	3.95E-05	2.88E-05
					3	5.32E-05	3.40E-05
					4	5.01E-05	3.33E-05
18	1.1700	1.1700	1.007203	1.9073E-06	1	3.87E-05	2.96E-05
					2	2.60E-05	1.75E-05
					3	3.16E-05	2.08E-05
					4	2.84E-05	1.81E-05
19	1.1700	1.1700	1.007204	9.5367E-07	1	2.28E-05	1.91E-05
					2	1.66E-05	1.23E-05
					3	1.78E-05	1.13E-05
					4	1.66E-05	1.14E-05
20	1.1700	1.1700	1.007205	9.5367E-07	1	1.43E-05	1.14E-05
					2	1.09E-05	6.32E-06
					3	1.14E-05	6.68E-06
					4	1.14E-05	5.72E-06
21	1.1700	1.1700	1.007204	0.0	1	8.70E-06	6.68E-06
					2	6.26E-06	5.72E-06
					3	7.63E-06	5.54E-06
					4	6.68E-06	4.77E-06

1	FLUX GROUP		1	PLANE		HZ =	0.0	CM												
	1	2	3	4	5	6	7	8	9	10										
1	4.0233E-07	3.9880E-07	3.8841E-07	3.7190E-07	3.5092E-07	3.2736E-07	3.0167E-07	2.7288E-07	2.4073E-07	2.0759E-07										
2	3.9880E-07	3.9880E-07	3.9181E-07	3.7812E-07	3.5862E-07	3.3587E-07	3.1206E-07	2.8587E-07	2.5545E-07	2.2054E-07										
3	3.8841E-07	3.9181E-07	3.8841E-07	3.7812E-07	3.6071E-07	3.3565E-07	3.1279E-07	2.9313E-07	2.6676E-07	2.3340E-07										
4	3.7190E-07	3.7812E-07	3.7812E-07	3.7190E-07	3.5862E-07	3.3565E-07	3.0745E-07	2.9218E-07	2.7336E-07	2.4580E-07										
5	3.5092E-07	3.5862E-07	3.6071E-07	3.5862E-07	3.5092E-07	3.3587E-07	3.1279E-07	2.9218E-07	2.7520E-07	2.5185E-07										
6	3.2736E-07	3.3587E-07	3.3565E-07	3.3565E-07	3.3587E-07	3.2736E-07	3.1206E-07	2.9313E-07	2.7336E-07	2.5185E-07										
7	3.0167E-07	3.1206E-07	3.1279E-07	3.0745E-07	3.1279E-07	3.1206E-07	3.0167E-07	2.8587E-07	2.6676E-07	2.4580E-07										
8	2.7288E-07	2.8587E-07	2.9313E-07	2.9218E-07	2.9218E-07	2.9313E-07	2.8587E-07	2.7288E-07	2.5545E-07	2.3340E-07										
9	2.4073E-07	2.5545E-07	2.6676E-07	2.7336E-07	2.7520E-07	2.7336E-07	2.6676E-07	2.5545E-07	2.4073E-07	2.2054E-07										
10	2.0759E-07	2.2054E-07	2.3340E-07	2.4580E-07	2.5185E-07	2.5185E-07	2.4580E-07	2.3340E-07	2.2054E-07	2.0759E-07										
11	1.7600E-07	1.8772E-07	1.9611E-07	2.1186E-07	2.2316E-07	2.2657E-07	2.2316E-07	2.1186E-07	1.9611E-07	1.8772E-07										
12	1.4438E-07	1.5844E-07	1.6743E-07	1.7842E-07	1.9075E-07	1.9686E-07	1.9686E-07	1.9075E-07	1.7842E-07	1.6743E-07										
13	1.1051E-07	1.2597E-07	1.3748E-07	1.4708E-07	1.5635E-07	1.6301E-07	1.6520E-07	1.6301E-07	1.5635E-07	1.4708E-07										
14	7.3961E-08	9.0689E-08	1.0337E-07	1.1078E-07	1.1866E-07	1.2619E-07	1.2766E-07	1.2766E-07	1.2619E-07	1.1866E-07										
15	4.3387E-08	5.5124E-08	6.8040E-08	7.5308E-08	7.8246E-08	8.6639E-08	8.9623E-08	8.6974E-08	8.9623E-08	8.6639E-08										
16	2.4210E-08	3.1822E-08	3.9216E-08	4.5335E-08	4.9470E-08	5.3100E-08	5.6058E-08	5.6908E-08	5.6908E-08	5.6058E-08										
17	1.1734E-08	1.6455E-08	2.0869E-08	2.4783E-08	2.7890E-08	3.0292E-08	3.2173E-08	3.3303E-08	3.3303E-08	3.2173E-08										
18	4.0898E-09	6.3036E-09	8.3590E-09	1.0226E-08	1.1805E-08	1.3054E-08	1.4019E-08	1.4693E-08	1.5024E-08	1.5024E-08										
	11	12	13	14	15	16	17	18												
1	1.7600E-07	1.4438E-07	1.1051E-07	7.3961E-08	4.3387E-08	2.4210E-08	1.1734E-08	4.0898E-09												
2	1.8772E-07	1.5844E-07	1.2597E-07	9.0689E-08	5.5124E-08	3.1822E-08	1.6455E-08	6.3036E-09												
3	1.9611E-07	1.6743E-07	1.3748E-07	1.0337E-07	6.8040E-08	3.9216E-08	2.0869E-08	8.3590E-09												
4	2.1186E-07	1.7842E-07	1.4708E-07	1.1078E-07	7.5308E-08	4.5335E-08	2.4783E-08	1.0226E-08												
5	2.2316E-07	1.9075E-07	1.5635E-07	1.1866E-07	7.8246E-08	4.9470E-08	2.7890E-08	1.1805E-08												
6	2.2657E-07	1.9686E-07	1.6301E-07	1.2619E-07	8.6639E-08	5.3100E-08	3.0292E-08	1.3054E-08												
7	2.2316E-07	1.9686E-07	1.6520E-07	1.2766E-07	8.9623E-08	5.6058E-08	3.2173E-08	1.4019E-08												
8	2.1186E-07	1.9075E-07	1.6301E-07	1.2766E-07	8.6974E-08	5.6908E-08	3.3303E-08	1.4693E-08												
9	1.9611E-07	1.7842E-07	1.5635E-07	1.2619E-07	8.9623E-08	5.6908E-08	3.3630E-08	1.5024E-08												
10	1.8772E-07	1.6743E-07	1.4708E-07	1.1866E-07	8.6639E-08	5.6058E-08	3.3303E-08	1.5024E-08												
11	1.7600E-07	1.5844E-07	1.3748E-07	1.1078E-07	7.8246E-08	5.3100E-08	3.2173E-08	1.4693E-08												
12	1.5844E-07	1.4438E-07	1.2597E-07	1.0337E-07	7.5308E-08	4.9470E-08	3.0292E-08	1.4019E-08												
13	1.3748E-07	1.2597E-07	1.1051E-07	9.0689E-08	6.8040E-08	4.5335E-08	2.7890E-08	1.3054E-08												
14	1.1078E-07	1.0337E-07	9.0689E-08	7.3961E-08	5.5124E-08	3.9216E-08	2.4783E-08	1.1805E-08												
15	7.8246E-08	7.5308E-08	6.8040E-08	5.5124E-08	4.3387E-08	3.1822E-08	2.0869E-08	1.0226E-08												
16	5.3100E-08	4.9470E-08	4.5335E-08	3.9216E-08	3.1822E-08	2.4210E-08	1.6455E-08	8.3590E-09												
17	3.2173E-08	3.0292E-08	2.7890E-08	2.4783E-08	2.0869E-08	1.6455E-08	1.1734E-08	6.3036E-09												
18	1.4693E-08	1.4019E-08	1.3054E-08	1.1805E-08	1.0226E-08	8.3590E-09	6.3036E-09	4.0898E-09												

1 FLUX GROUP 2 PLANE HZ = 10.00000 CM

	1	2	3	4	5	6	7	8	9	10
1	1.2897E-06	1.2783E-06	1.2449E-06	1.1920E-06	1.1249E-06	1.0493E-06	9.6648E-07	8.7415E-07	7.7247E-07	6.6802E-07
2	1.2783E-06	1.2783E-06	1.2558E-06	1.2120E-06	1.1504E-06	1.0781E-06	1.0009E-06	9.1609E-07	8.1944E-07	7.1301E-07
3	1.2449E-06	1.2558E-06	1.2449E-06	1.2120E-06	1.1578E-06	1.0853E-06	1.0117E-06	9.4143E-07	8.5597E-07	7.5461E-07
4	1.1920E-06	1.2120E-06	1.2120E-06	1.1920E-06	1.1504E-06	1.0853E-06	1.0074E-06	9.4590E-07	8.7830E-07	7.9040E-07
5	1.1249E-06	1.1504E-06	1.1578E-06	1.1504E-06	1.1249E-06	1.0781E-06	1.0117E-06	9.4590E-07	8.8519E-07	8.0989E-07
6	1.0493E-06	1.0781E-06	1.0853E-06	1.0853E-06	1.0781E-06	1.0493E-06	1.0009E-06	9.4143E-07	8.7830E-07	8.0989E-07
7	9.6648E-07	1.0009E-06	1.0117E-06	1.0074E-06	1.0117E-06	1.0009E-06	9.6648E-07	9.1609E-07	8.5597E-07	7.9040E-07
8	8.7415E-07	9.1609E-07	9.4143E-07	9.4590E-07	9.4590E-07	9.4143E-07	9.1609E-07	8.7415E-07	8.1944E-07	7.5461E-07
9	7.7247E-07	8.1944E-07	8.5597E-07	8.7830E-07	8.8519E-07	8.7830E-07	8.5597E-07	8.1944E-07	7.7247E-07	7.1301E-07
10	6.6802E-07	7.1301E-07	7.5461E-07	7.9040E-07	8.0989E-07	8.0989E-07	7.9040E-07	7.5461E-07	7.1301E-07	6.6802E-07
11	5.6723E-07	6.0844E-07	6.4306E-07	6.8678E-07	7.1910E-07	7.3012E-07	7.1910E-07	6.8678E-07	6.4306E-07	6.0844E-07
12	4.6602E-07	5.1139E-07	5.4393E-07	5.7975E-07	6.1617E-07	6.3582E-07	6.3582E-07	6.1617E-07	5.7975E-07	5.4393E-07
13	3.5890E-07	4.0761E-07	4.4489E-07	4.7661E-07	5.0630E-07	5.2809E-07	5.3580E-07	5.2809E-07	5.0630E-07	4.7661E-07
14	2.4859E-07	2.9921E-07	3.3666E-07	3.6498E-07	3.9107E-07	4.1149E-07	4.2138E-07	4.2138E-07	4.1149E-07	3.9107E-07
15	1.4969E-07	1.8914E-07	2.2909E-07	2.5366E-07	2.6771E-07	2.9201E-07	3.0231E-07	2.9803E-07	3.0231E-07	2.9201E-07
16	8.3587E-08	1.0999E-07	1.3527E-07	1.5615E-07	1.7081E-07	1.8340E-07	1.9335E-07	1.9675E-07	1.9675E-07	1.9335E-07
17	4.0320E-08	5.6686E-08	7.2025E-08	8.5614E-08	9.6432E-08	1.0481E-07	1.1134E-07	1.1530E-07	1.1647E-07	1.1530E-07
18	1.4012E-08	2.1631E-08	2.8756E-08	3.5247E-08	4.0739E-08	4.5083E-08	4.8439E-08	5.0784E-08	5.1943E-08	5.1943E-08
	11	12	13	14	15	16	17	18		
1	5.6723E-07	4.6602E-07	3.5890E-07	2.4859E-07	1.4969E-07	8.3587E-08	4.0320E-08	1.4012E-08		
2	6.0844E-07	5.1139E-07	4.0761E-07	2.9921E-07	1.8914E-07	1.0999E-07	5.6686E-08	2.1631E-08		
3	6.4306E-07	5.4393E-07	4.4489E-07	3.3666E-07	2.2909E-07	1.3527E-07	7.2025E-08	2.8756E-08		
4	6.8678E-07	5.7975E-07	4.7661E-07	3.6498E-07	2.5366E-07	1.5615E-07	8.5614E-08	3.5247E-08		
5	7.1910E-07	6.1617E-07	5.0630E-07	3.9107E-07	2.6771E-07	1.7081E-07	9.6432E-08	4.0739E-08		
6	7.3012E-07	6.3582E-07	5.2809E-07	4.1149E-07	2.9201E-07	1.8340E-07	1.0481E-07	4.5083E-08		
7	7.1910E-07	6.3582E-07	5.3580E-07	4.2138E-07	3.0231E-07	1.9335E-07	1.1134E-07	4.8439E-08		
8	6.8678E-07	6.1617E-07	5.2809E-07	4.2138E-07	2.9803E-07	1.9675E-07	1.1530E-07	5.0784E-08		
9	6.4306E-07	5.7975E-07	5.0630E-07	4.1149E-07	3.0231E-07	1.9675E-07	1.1647E-07	5.1943E-08		
10	6.0844E-07	5.4393E-07	4.7661E-07	3.9107E-07	2.9201E-07	1.9335E-07	1.1530E-07	5.1943E-08		
11	5.6723E-07	5.1139E-07	4.4489E-07	3.6498E-07	2.6771E-07	1.8340E-07	1.1134E-07	5.0784E-08		
12	5.1139E-07	4.6602E-07	4.0761E-07	3.3666E-07	2.5366E-07	1.7081E-07	1.0481E-07	4.8439E-08		
13	4.4489E-07	4.0761E-07	3.5890E-07	2.9921E-07	2.2909E-07	1.5615E-07	9.6432E-08	4.5083E-08		
14	3.6498E-07	3.3666E-07	2.9921E-07	2.4859E-07	1.8914E-07	1.3527E-07	8.5614E-08	4.0739E-08		
15	2.6771E-07	2.5366E-07	2.2909E-07	1.8914E-07	1.4969E-07	1.0999E-07	7.2025E-08	3.5247E-08		
16	1.8340E-07	1.7081E-07	1.5615E-07	1.3527E-07	1.0999E-07	8.3587E-08	5.6686E-08	2.8756E-08		
17	1.1134E-07	1.0481E-07	9.6432E-08	8.5614E-08	7.2025E-08	5.6686E-08	4.0320E-08	2.1631E-08		
18	5.0784E-08	4.8439E-08	4.5083E-08	4.0739E-08	3.5247E-08	2.8756E-08	2.1631E-08	1.4012E-08		

1 FLUX GROUP 3 PLANE HZ = 20.00000 CM

	1	2	3	4	5	6	7	8	9	10
1	3.3703E-06	3.3402E-06	3.2519E-06	3.1127E-06	2.9369E-06	2.7389E-06	2.5212E-06	2.2780E-06	2.0131E-06	1.7474E-06
2	3.3402E-06	3.3402E-06	3.2807E-06	3.1654E-06	3.0039E-06	2.8155E-06	2.6134E-06	2.3897E-06	2.1354E-06	1.8599E-06
3	3.2519E-06	3.2807E-06	3.2519E-06	3.1654E-06	3.0237E-06	2.8370E-06	2.6467E-06	2.4610E-06	2.2357E-06	1.9702E-06
4	3.1127E-06	3.1654E-06	3.1654E-06	3.1127E-06	3.0039E-06	2.8370E-06	2.6394E-06	2.4793E-06	2.3022E-06	2.0739E-06
5	2.9369E-06	3.0039E-06	3.0237E-06	3.0039E-06	2.9369E-06	2.8155E-06	2.6467E-06	2.4793E-06	2.3244E-06	2.1346E-06
6	2.7389E-06	2.8155E-06	2.8370E-06	2.8370E-06	2.8155E-06	2.7389E-06	2.6134E-06	2.4610E-06	2.3022E-06	2.1346E-06
7	2.5212E-06	2.6134E-06	2.6467E-06	2.6394E-06	2.6467E-06	2.6134E-06	2.5212E-06	2.3897E-06	2.2357E-06	2.0739E-06
8	2.2780E-06	2.3897E-06	2.4610E-06	2.4793E-06	2.4793E-06	2.4610E-06	2.3897E-06	2.2780E-06	2.1354E-06	1.9702E-06
9	2.0131E-06	2.1354E-06	2.2357E-06	2.3022E-06	2.3244E-06	2.3022E-06	2.2357E-06	2.1354E-06	2.0131E-06	1.8599E-06
10	1.7474E-06	1.8599E-06	1.9702E-06	2.0739E-06	2.1346E-06	2.1346E-06	2.0739E-06	1.9702E-06	1.8599E-06	1.7474E-06
11	1.4952E-06	1.5961E-06	1.6827E-06	1.8055E-06	1.9031E-06	1.9382E-06	1.9031E-06	1.8055E-06	1.6827E-06	1.5961E-06
12	1.2369E-06	1.3524E-06	1.4328E-06	1.5293E-06	1.6354E-06	1.6959E-06	1.6959E-06	1.6354E-06	1.5293E-06	1.4328E-06
13	9.5094E-07	1.0814E-06	1.1774E-06	1.2602E-06	1.3436E-06	1.4080E-06	1.4312E-06	1.4080E-06	1.3436E-06	1.2602E-06
14	6.4766E-07	7.8665E-07	8.8701E-07	9.6047E-07	1.0306E-06	1.0886E-06	1.1167E-06	1.1167E-06	1.0886E-06	1.0306E-06
15	3.7765E-07	4.8434E-07	5.9269E-07	6.5720E-07	6.9254E-07	7.5881E-07	7.8703E-07	7.7459E-07	7.8703E-07	7.5881E-07
16	2.0403E-07	2.7253E-07	3.3940E-07	3.9424E-07	4.3156E-07	4.6407E-07	4.9049E-07	4.9903E-07	4.9903E-07	4.9049E-07
17	9.6065E-08	1.3660E-07	1.7572E-07	2.1069E-07	2.3818E-07	2.5925E-07	2.7588E-07	2.8594E-07	2.8884E-07	2.8594E-07
18	3.3187E-08	5.1511E-08	6.9249E-08	8.5727E-08	9.9670E-08	1.1058E-07	1.1900E-07	1.2491E-07	1.2781E-07	1.2781E-07
	11	12	13	14	15	16	17	18		
1	1.4952E-06	1.2369E-06	9.5094E-07	6.4766E-07	3.7765E-07	2.0403E-07	9.6065E-08	3.3187E-08		
2	1.5961E-06	1.3524E-06	1.0814E-06	7.8665E-07	4.8434E-07	2.7253E-07	1.3660E-07	5.1511E-08		
3	1.6827E-06	1.4328E-06	1.1774E-06	8.8701E-07	5.9269E-07	3.3940E-07	1.7572E-07	6.9249E-08		
4	1.8055E-06	1.5293E-06	1.2602E-06	9.6047E-07	6.5720E-07	3.9424E-07	2.1069E-07	8.5727E-08		
5	1.9031E-06	1.6354E-06	1.3436E-06	1.0306E-06	6.9254E-07	4.3156E-07	2.3818E-07	9.9670E-08		
6	1.9382E-06	1.6959E-06	1.4080E-06	1.0886E-06	7.5881E-07	4.6407E-07	2.5925E-07	1.1058E-07		
7	1.9031E-06	1.6959E-06	1.4312E-06	1.1167E-06	7.8703E-07	4.9049E-07	2.7588E-07	1.1900E-07		
8	1.8055E-06	1.6354E-06	1.4080E-06	1.1167E-06	7.7459E-07	4.9903E-07	2.8594E-07	1.2491E-07		
9	1.6827E-06	1.5293E-06	1.3436E-06	1.0886E-06	7.8703E-07	4.9903E-07	2.8884E-07	1.2781E-07		
10	1.5961E-06	1.4328E-06	1.2602E-06	1.0306E-06	7.5881E-07	4.9049E-07	2.8594E-07	1.2781E-07		
11	1.4952E-06	1.3524E-06	1.1774E-06	9.6047E-07	6.9254E-07	4.6407E-07	2.7588E-07	1.2491E-07		
12	1.3524E-06	1.2369E-06	1.0814E-06	8.8701E-07	6.5720E-07	4.3156E-07	2.5925E-07	1.1900E-07		
13	1.1774E-06	1.0814E-06	9.5094E-07	7.8665E-07	5.9269E-07	3.9424E-07	2.3818E-07	1.1058E-07		
14	9.6047E-07	8.8701E-07	7.8665E-07	6.4766E-07	4.8434E-07	3.3940E-07	2.1069E-07	9.9670E-08		
15	6.9254E-07	6.5720E-07	5.9269E-07	4.8434E-07	3.7765E-07	2.7253E-07	1.7572E-07	8.5727E-08		
16	4.6407E-07	4.3156E-07	3.9424E-07	3.3940E-07	2.7253E-07	2.0403E-07	1.3660E-07	6.9249E-08		
17	2.7588E-07	2.5925E-07	2.3818E-07	2.1069E-07	1.7572E-07	1.3660E-07	9.6065E-08	5.1511E-08		
18	1.2491E-07	1.1900E-07	1.1058E-07	9.9670E-08	8.5727E-08	6.9249E-08	5.1511E-08	3.3187E-08		

1 FLUX GROUP 4 PLANE HZ = 30.00000 CH

	1	2	3	4	5	6	7	8	9	10
1	8.6335E-06	8.5543E-06	8.3216E-06	7.9555E-06	7.4979E-06	6.9885E-06	6.4271E-06	5.7929E-06	5.1107E-06	4.4612E-06
2	8.5543E-06	8.5543E-06	8.3975E-06	8.0926E-06	7.6685E-06	7.1827E-06	6.6663E-06	6.0858E-06	5.4159E-06	4.7003E-06
3	8.3216E-06	8.3975E-06	8.3216E-06	8.0926E-06	7.7169E-06	7.2322E-06	6.7567E-06	6.2818E-06	5.6921E-06	4.9788E-06
4	7.9555E-06	8.0926E-06	8.0926E-06	7.9555E-06	7.6685E-06	7.2322E-06	6.7452E-06	6.3484E-06	5.8978E-06	5.3113E-06
5	7.4979E-06	7.6685E-06	7.7169E-06	7.6685E-06	7.4979E-06	7.1827E-06	6.7567E-06	6.3484E-06	5.9714E-06	5.5244E-06
6	6.9885E-06	7.1827E-06	7.2322E-06	7.2322E-06	7.1827E-06	6.9885E-06	6.6663E-06	6.2818E-06	5.8978E-06	5.5244E-06
7	6.4271E-06	6.6663E-06	6.7567E-06	6.7452E-06	6.7567E-06	6.6663E-06	6.4271E-06	6.0858E-06	5.6921E-06	5.3113E-06
8	5.7929E-06	6.0858E-06	6.2818E-06	6.3484E-06	6.3484E-06	6.2818E-06	6.0858E-06	5.7929E-06	5.4159E-06	4.9788E-06
9	5.1107E-06	5.4159E-06	5.6921E-06	5.8978E-06	5.9714E-06	5.8978E-06	5.6921E-06	5.4159E-06	5.1107E-06	4.7003E-06
10	4.4612E-06	4.7003E-06	4.9788E-06	5.3113E-06	5.5244E-06	5.5244E-06	5.3113E-06	4.9788E-06	4.7003E-06	4.4612E-06
11	3.8744E-06	4.0736E-06	4.2343E-06	4.6161E-06	4.9584E-06	5.0881E-06	4.9584E-06	4.6161E-06	4.2343E-06	4.0736E-06
12	3.2550E-06	3.5256E-06	3.6801E-06	3.9350E-06	4.2813E-06	4.4882E-06	4.4882E-06	4.2813E-06	3.9350E-06	3.6801E-06
13	2.4988E-06	2.8465E-06	3.0773E-06	3.2799E-06	3.5224E-06	3.7248E-06	3.7972E-06	3.7248E-06	3.5224E-06	3.2799E-06
14	1.6402E-06	2.0342E-06	2.3068E-06	2.4802E-06	2.6657E-06	2.8415E-06	2.9133E-06	2.9133E-06	2.8415E-06	2.6657E-06
15	8.9479E-07	1.1817E-06	1.4824E-06	1.6448E-06	1.7161E-06	1.9046E-06	1.9801E-06	1.9309E-06	1.9801E-06	1.9046E-06
16	4.5586E-07	6.2480E-07	7.9659E-07	9.3543E-07	1.0216E-06	1.1004E-06	1.1691E-06	1.1864E-06	1.1864E-06	1.1691E-06
17	2.0626E-07	2.9865E-07	3.9191E-07	4.7648E-07	5.4096E-07	5.8922E-07	6.2859E-07	6.5210E-07	6.5823E-07	6.5210E-07
18	7.0565E-08	1.1045E-07	1.5107E-07	1.8989E-07	2.2261E-07	2.4760E-07	2.6688E-07	2.8056E-07	2.8711E-07	2.8711E-07
	11	12	13	14	15	16	17	18		
1	3.8744E-06	3.2550E-06	2.4988E-06	1.6402E-06	8.9479E-07	4.5586E-07	2.0626E-07	7.0565E-08		
2	4.0736E-06	3.5256E-06	2.8465E-06	2.0342E-06	1.1817E-06	6.2480E-07	2.9865E-07	1.1045E-07		
3	4.2343E-06	3.6801E-06	3.0773E-06	2.3068E-06	1.4824E-06	7.9659E-07	3.9191E-07	1.5107E-07		
4	4.6161E-06	3.9350E-06	3.2799E-06	2.4802E-06	1.6448E-06	9.3543E-07	4.7648E-07	1.8989E-07		
5	4.9584E-06	4.2813E-06	3.5224E-06	2.6657E-06	1.7161E-06	1.0216E-06	5.4096E-07	2.2261E-07		
6	5.0881E-06	4.4882E-06	3.7248E-06	2.8415E-06	1.9046E-06	1.1004E-06	5.8922E-07	2.4760E-07		
7	4.9584E-06	4.4882E-06	3.7972E-06	2.9133E-06	1.9801E-06	1.1691E-06	6.2859E-07	2.6688E-07		
8	4.6161E-06	4.2813E-06	3.7248E-06	2.9133E-06	1.9309E-06	1.1864E-06	6.5210E-07	2.8056E-07		
9	4.2343E-06	3.9350E-06	3.5224E-06	2.8415E-06	1.9801E-06	1.1864E-06	6.5823E-07	2.8711E-07		
10	4.0736E-06	3.6801E-06	3.2799E-06	2.6657E-06	1.9046E-06	1.1691E-06	6.5210E-07	2.8711E-07		
11	3.8744E-06	3.5256E-06	3.0773E-06	2.4802E-06	1.7161E-06	1.1004E-06	6.2859E-07	2.8056E-07		
12	3.5256E-06	3.2550E-06	2.8465E-06	2.3068E-06	1.6448E-06	1.0216E-06	5.8922E-07	2.6688E-07		
13	3.0773E-06	2.8465E-06	2.4988E-06	2.0342E-06	1.4824E-06	9.3543E-07	5.4096E-07	2.4760E-07		
14	2.4802E-06	2.3068E-06	2.0342E-06	1.6402E-06	1.1817E-06	7.9659E-07	4.7648E-07	2.2261E-07		
15	1.7161E-06	1.6448E-06	1.4824E-06	1.1817E-06	8.9479E-07	6.2480E-07	3.9191E-07	1.8989E-07		
16	1.1004E-06	1.0216E-06	9.3543E-07	7.9659E-07	6.2480E-07	4.5586E-07	2.9865E-07	1.5107E-07		
17	6.2859E-07	5.8922E-07	5.4096E-07	4.7648E-07	3.9191E-07	2.9865E-07	2.0626E-07	1.1045E-07		
18	2.8056E-07	2.6688E-07	2.4760E-07	2.2261E-07	1.8989E-07	1.5107E-07	1.1045E-07	7.0565E-08		

1 FLUX GROUP 5 PLANE HZ = 40.00000 CM

	1	2	3	4	5	6	7	8	9	10
1	2.2256E-05	2.2045E-05	2.1423E-05	2.0439E-05	1.9223E-05	1.7904E-05	1.6454E-05	1.4778E-05	1.3029E-05	1.1520E-05
2	2.2045E-05	2.2045E-05	2.1626E-05	2.0798E-05	1.9638E-05	1.8361E-05	1.7055E-05	1.5546E-05	1.3713E-05	1.1679E-05
3	2.1423E-05	2.1626E-05	2.1423E-05	2.0798E-05	1.9733E-05	1.8348E-05	1.7236E-05	1.6057E-05	1.4480E-05	1.2286E-05
4	2.0439E-05	2.0798E-05	2.0798E-05	2.0439E-05	1.9638E-05	1.8348E-05	1.7213E-05	1.6297E-05	1.5130E-05	1.3580E-05
5	1.9223E-05	1.9638E-05	1.9733E-05	1.9638E-05	1.9223E-05	1.8361E-05	1.7236E-05	1.6297E-05	1.5372E-05	1.4439E-05
6	1.7904E-05	1.8361E-05	1.8348E-05	1.8348E-05	1.8361E-05	1.7904E-05	1.7055E-05	1.6057E-05	1.5130E-05	1.4439E-05
7	1.6454E-05	1.7055E-05	1.7236E-05	1.7213E-05	1.7236E-05	1.7055E-05	1.6454E-05	1.5546E-05	1.4480E-05	1.3580E-05
8	1.4778E-05	1.5546E-05	1.6057E-05	1.6297E-05	1.6297E-05	1.6057E-05	1.5546E-05	1.4778E-05	1.3713E-05	1.2286E-05
9	1.3029E-05	1.3713E-05	1.4480E-05	1.5130E-05	1.5372E-05	1.5130E-05	1.4480E-05	1.3713E-05	1.3029E-05	1.1679E-05
10	1.1520E-05	1.1679E-05	1.2286E-05	1.3580E-05	1.4439E-05	1.4439E-05	1.3580E-05	1.2286E-05	1.1679E-05	1.1520E-05
11	1.0230E-05	1.0296E-05	1.0061E-05	1.1614E-05	1.3115E-05	1.3682E-05	1.3115E-05	1.1614E-05	1.0061E-05	1.0296E-05
12	8.8182E-06	9.3859E-06	9.3660E-06	1.0035E-05	1.1435E-05	1.2200E-05	1.2200E-05	1.1435E-05	1.0035E-05	9.3660E-06
13	6.7891E-06	7.7381E-06	8.2553E-06	8.7173E-06	9.4702E-06	1.0143E-05	1.0368E-05	1.0143E-05	9.4702E-06	8.7173E-06
14	4.1144E-06	5.3571E-06	6.1986E-06	6.4895E-06	6.9842E-06	7.6391E-06	7.7003E-06	7.7003E-06	7.6391E-06	6.9842E-06
15	1.9632E-06	2.7232E-06	3.6653E-06	4.0548E-06	4.0356E-06	4.7037E-06	4.8969E-06	4.5639E-06	4.8969E-06	4.7037E-06
16	9.1878E-07	1.3042E-06	1.7275E-06	2.0649E-06	2.2309E-06	2.4071E-06	2.5857E-06	2.5989E-06	2.5989E-06	2.5857E-06
17	3.9526E-07	5.8504E-07	7.8757E-07	9.7490E-07	1.1106E-06	1.2081E-06	1.2932E-06	1.3422E-06	1.3518E-06	1.3422E-06
18	1.3356E-07	2.1115E-07	2.9475E-07	3.7727E-07	4.4624E-07	4.9703E-07	5.3629E-07	5.6460E-07	5.7744E-07	5.7744E-07
	11	12	13	14	15	16	17	18		
1	1.0230E-05	8.8182E-06	6.7891E-06	4.1144E-06	1.9632E-06	9.1878E-07	3.9526E-07	1.3356E-07		
2	1.0296E-05	9.3859E-06	7.7381E-06	5.3571E-06	2.7232E-06	1.3042E-06	5.8504E-07	2.1115E-07		
3	1.0061E-05	9.3660E-06	8.2553E-06	6.1986E-06	3.6653E-06	1.7275E-06	7.8757E-07	2.9475E-07		
4	1.1614E-05	1.0035E-05	8.7173E-06	6.4895E-06	4.0548E-06	2.0649E-06	9.7490E-07	3.7727E-07		
5	1.3115E-05	1.1435E-05	9.4702E-06	6.9842E-06	4.0356E-06	2.2309E-06	1.1106E-06	4.4624E-07		
6	1.3682E-05	1.2200E-05	1.0143E-05	7.6391E-06	4.7037E-06	2.4071E-06	1.2081E-06	4.9703E-07		
7	1.3115E-05	1.2200E-05	1.0368E-05	7.7003E-06	4.8969E-06	2.5857E-06	1.2932E-06	5.3629E-07		
8	1.1614E-05	1.1435E-05	1.0143E-05	7.7003E-06	4.5639E-06	2.5989E-06	1.3422E-06	5.6460E-07		
9	1.0061E-05	1.0035E-05	9.4702E-06	7.6391E-06	4.8969E-06	2.5989E-06	1.3518E-06	5.7744E-07		
10	1.0296E-05	9.3660E-06	8.7173E-06	6.9842E-06	4.7037E-06	2.5857E-06	1.3422E-06	5.7744E-07		
11	1.0230E-05	9.3859E-06	8.2553E-06	6.4895E-06	4.0356E-06	2.4071E-06	1.2932E-06	5.6460E-07		
12	9.3859E-06	8.8182E-06	7.7381E-06	6.1986E-06	4.0548E-06	2.2309E-06	1.2081E-06	5.3629E-07		
13	8.2553E-06	7.7381E-06	6.7891E-06	5.3571E-06	3.6653E-06	2.0649E-06	1.1106E-06	4.9703E-07		
14	6.4895E-06	6.1986E-06	5.3571E-06	4.1144E-06	2.7232E-06	1.7275E-06	9.7490E-07	4.4624E-07		
15	4.0356E-06	4.0548E-06	3.6653E-06	2.7232E-06	1.9632E-06	1.3042E-06	7.8757E-07	3.7727E-07		
16	2.4071E-06	2.2309E-06	2.0649E-06	1.7275E-06	1.3042E-06	9.1878E-07	5.8504E-07	2.9475E-07		
17	1.2932E-06	1.2081E-06	1.1106E-06	9.7490E-07	7.8757E-07	5.8504E-07	3.9526E-07	2.1115E-07		
18	5.6460E-07	5.3629E-07	4.9703E-07	4.4624E-07	3.7727E-07	2.9475E-07	2.1115E-07	1.3356E-07		

1 FLUX GROUP 6 PLANE HZ = 49.50000 CM

	1	2	3	4	5	6	7	8	9	10
1	3.9746E-05	3.9370E-05	3.8250E-05	3.6452E-05	3.4243E-05	3.1930E-05	2.9436E-05	2.6507E-05	2.3481E-05	2.0978E-05
2	3.9370E-05	3.9370E-05	3.8614E-05	3.7084E-05	3.4852E-05	3.2498E-05	3.0341E-05	2.7822E-05	2.4575E-05	2.0877E-05
3	3.8250E-05	3.8614E-05	3.8250E-05	3.7084E-05	3.4895E-05	3.1394E-05	2.9626E-05	2.8506E-05	2.5919E-05	2.1831E-05
4	3.6452E-05	3.7084E-05	3.7084E-05	3.6452E-05	3.4852E-05	3.1394E-05	2.8664E-05	2.8143E-05	2.7027E-05	2.4420E-05
5	3.4243E-05	3.4852E-05	3.4895E-05	3.4852E-05	3.4243E-05	3.2498E-05	2.9626E-05	2.8143E-05	2.7402E-05	2.6160E-05
6	3.1930E-05	3.2498E-05	3.1394E-05	3.1394E-05	3.2498E-05	3.1930E-05	3.0341E-05	2.8506E-05	2.7027E-05	2.6160E-05
7	2.9436E-05	3.0341E-05	2.9626E-05	2.8664E-05	2.9626E-05	3.0341E-05	2.9436E-05	2.7822E-05	2.5919E-05	2.4420E-05
8	2.6507E-05	2.7822E-05	2.8506E-05	2.8143E-05	2.8143E-05	2.8506E-05	2.7822E-05	2.6507E-05	2.4575E-05	2.1831E-05
9	2.3481E-05	2.4575E-05	2.5919E-05	2.7027E-05	2.7402E-05	2.7027E-05	2.5919E-05	2.4575E-05	2.3481E-05	2.0877E-05
10	2.0978E-05	2.0877E-05	2.1831E-05	2.4420E-05	2.6160E-05	2.6160E-05	2.4420E-05	2.1831E-05	2.0877E-05	2.0978E-05
11	1.8817E-05	1.8597E-05	1.7589E-05	2.0855E-05	2.3980E-05	2.5166E-05	2.3980E-05	2.0855E-05	1.7589E-05	1.8597E-05
12	1.6372E-05	1.7318E-05	1.6967E-05	1.8173E-05	2.1051E-05	2.2572E-05	2.2572E-05	2.1051E-05	1.8173E-05	1.6967E-05
13	1.2628E-05	1.4390E-05	1.5280E-05	1.6075E-05	1.7510E-05	1.8813E-05	1.9239E-05	1.8813E-05	1.7510E-05	1.6075E-05
14	7.4349E-06	9.8693E-06	1.1492E-05	1.1914E-05	1.2820E-05	1.4135E-05	1.4154E-05	1.4154E-05	1.4135E-05	1.2820E-05
15	3.3201E-06	4.7185E-06	6.5883E-06	7.2726E-06	7.0494E-06	8.4338E-06	8.7780E-06	7.9767E-06	8.7780E-06	8.4338E-06
16	1.4862E-06	2.1492E-06	2.9058E-06	3.5049E-06	3.7611E-06	4.0595E-06	4.3857E-06	4.3818E-06	4.3818E-06	4.3857E-06
17	6.2198E-07	9.3180E-07	1.2719E-06	1.5896E-06	1.8132E-06	1.9697E-06	2.1116E-06	2.1911E-06	2.2036E-06	2.1911E-06
18	2.0870E-07	3.3178E-07	4.6835E-07	6.0534E-07	7.1920E-07	8.0124E-07	8.6464E-07	9.1066E-07	9.3080E-07	9.3080E-07
	11	12	13	14	15	16	17	18		
1	1.8817E-05	1.6372E-05	1.2628E-05	7.4349E-06	3.3201E-06	1.4862E-06	6.2198E-07	2.0870E-07		
2	1.8597E-05	1.7318E-05	1.4390E-05	9.8693E-06	4.7185E-06	2.1492E-06	9.3180E-07	3.3178E-07		
3	1.7589E-05	1.6967E-05	1.5280E-05	1.1492E-05	6.5883E-06	2.9058E-06	1.2719E-06	4.6835E-07		
4	2.0855E-05	1.8173E-05	1.6075E-05	1.1914E-05	7.2726E-06	3.5049E-06	1.5896E-06	6.0534E-07		
5	2.3980E-05	2.1051E-05	1.7510E-05	1.2820E-05	7.0494E-06	3.7611E-06	1.8132E-06	7.1920E-07		
6	2.5166E-05	2.2572E-05	1.8813E-05	1.4135E-05	8.4338E-06	4.0595E-06	1.9697E-06	8.0124E-07		
7	2.3980E-05	2.2572E-05	1.9239E-05	1.4154E-05	8.7780E-06	4.3857E-06	2.1116E-06	8.6464E-07		
8	2.0855E-05	2.1051E-05	1.8813E-05	1.4154E-05	7.9767E-06	4.3818E-06	2.1911E-06	9.1066E-07		
9	1.7589E-05	1.8173E-05	1.7510E-05	1.4135E-05	8.7780E-06	4.3818E-06	2.2036E-06	9.3080E-07		
10	1.8597E-05	1.6967E-05	1.6075E-05	1.2820E-05	8.4338E-06	4.3857E-06	2.1911E-06	9.3080E-07		
11	1.8817E-05	1.7318E-05	1.5280E-05	1.1914E-05	7.0494E-06	4.0595E-06	2.1116E-06	9.1066E-07		
12	1.7318E-05	1.6372E-05	1.4390E-05	1.1492E-05	7.2726E-06	3.7611E-06	1.9697E-06	8.6464E-07		
13	1.5280E-05	1.4390E-05	1.2628E-05	9.8693E-06	6.5883E-06	3.5049E-06	1.8132E-06	8.0124E-07		
14	1.1914E-05	1.1492E-05	9.8693E-06	7.4349E-06	4.7185E-06	2.9058E-06	1.5896E-06	7.1920E-07		
15	7.0494E-06	7.2726E-06	6.5883E-06	4.7185E-06	3.3201E-06	2.1492E-06	1.2719E-06	6.0534E-07		
16	4.0595E-06	3.7611E-06	3.5049E-06	2.9058E-06	2.1492E-06	1.4862E-06	9.3180E-07	4.6835E-07		
17	2.1116E-06	1.9697E-06	1.8132E-06	1.5896E-06	1.2719E-06	1.2719E-06	9.3180E-07	3.3178E-07		
18	9.1066E-07	8.6464E-07	8.0124E-07	7.1920E-07	6.0534E-07	4.6835E-07	3.3178E-07	2.0870E-07		

1 FLUX GROUP 7 PLANE HZ = 59.00000 CM

	1	2	3	4	5	6	7	8	9	10
1	5.2840E-05	5.2350E-05	5.0887E-05	4.8536E-05	4.5657E-05	4.2662E-05	3.9443E-05	3.5645E-05	3.1705E-05	2.8441E-05
2	5.2350E-05	5.2350E-05	5.1362E-05	4.9358E-05	4.6437E-05	4.3373E-05	4.0597E-05	3.7348E-05	3.3122E-05	2.8281E-05
3	5.0887E-05	5.1362E-05	5.0887E-05	4.9358E-05	4.6479E-05	4.1906E-05	3.9629E-05	3.8215E-05	3.4874E-05	2.9523E-05
4	4.8536E-05	4.9358E-05	4.9358E-05	4.8536E-05	4.6437E-05	4.1906E-05	3.8366E-05	3.7725E-05	3.6326E-05	3.2946E-05
5	4.5657E-05	4.6437E-05	4.6479E-05	4.6437E-05	4.5657E-05	4.3373E-05	3.9629E-05	3.7725E-05	3.6817E-05	3.5251E-05
6	4.2662E-05	4.3373E-05	4.1906E-05	4.1906E-05	4.3373E-05	4.2662E-05	4.0597E-05	3.8215E-05	3.6326E-05	3.5251E-05
7	3.9443E-05	4.0597E-05	3.9629E-05	3.8366E-05	3.9629E-05	4.0597E-05	3.9443E-05	3.7348E-05	3.4874E-05	3.2946E-05
8	3.5645E-05	3.7348E-05	3.8215E-05	3.7725E-05	3.7725E-05	3.8215E-05	3.7348E-05	3.5645E-05	3.3122E-05	2.9523E-05
9	3.1705E-05	3.3122E-05	3.4874E-05	3.6326E-05	3.6817E-05	3.6326E-05	3.4874E-05	3.3122E-05	3.1705E-05	2.8281E-05
10	2.8441E-05	2.8281E-05	2.9523E-05	3.2946E-05	3.5251E-05	3.5251E-05	3.2946E-05	2.9523E-05	2.8281E-05	2.8441E-05
11	2.5590E-05	2.5289E-05	2.3921E-05	2.8259E-05	3.2409E-05	3.3984E-05	3.2409E-05	2.8259E-05	2.3921E-05	2.5289E-05
12	2.2292E-05	2.3572E-05	2.3098E-05	2.4696E-05	2.8523E-05	3.0550E-05	3.0550E-05	2.8523E-05	2.4696E-05	2.3098E-05
13	1.7194E-05	1.9592E-05	2.0794E-05	2.1854E-05	2.3765E-05	2.5501E-05	2.6068E-05	2.5501E-05	2.3765E-05	2.1854E-05
14	1.0136E-05	1.3442E-05	1.5635E-05	1.6213E-05	1.7425E-05	1.9172E-05	1.9204E-05	1.9204E-05	1.9172E-05	1.7425E-05
15	4.5249E-06	6.4371E-06	8.9742E-06	9.9033E-06	9.6066E-06	1.1462E-05	1.1922E-05	1.0848E-05	1.1922E-05	1.1462E-05
16	2.0166E-06	2.9228E-06	3.9566E-06	4.7731E-06	5.1196E-06	5.5210E-06	5.9599E-06	5.9525E-06	5.9525E-06	5.9599E-06
17	8.4000E-07	1.2613E-06	1.7253E-06	2.1585E-06	2.4620E-06	2.6727E-06	2.8634E-06	2.9697E-06	2.9858E-06	2.9697E-06
18	2.8148E-07	4.4800E-07	6.3377E-07	8.2044E-07	9.7527E-07	1.0862E-06	1.1714E-06	1.2331E-06	1.2598E-06	1.2598E-06
	11	12	13	14	15	16	17	18		
1	2.5590E-05	2.2292E-05	1.7194E-05	1.0136E-05	4.5249E-06	2.0166E-06	8.4000E-07	2.8148E-07		
2	2.5289E-05	2.3572E-05	1.9592E-05	1.3442E-05	6.4371E-06	2.9228E-06	1.2613E-06	4.4800E-07		
3	2.3921E-05	2.3098E-05	2.0794E-05	1.5635E-05	8.9742E-06	3.9566E-06	1.7253E-06	6.3377E-07		
4	2.8259E-05	2.4696E-05	2.1854E-05	1.6213E-05	9.9033E-06	4.7731E-06	2.1585E-06	8.2044E-07		
5	3.2409E-05	2.8523E-05	2.3765E-05	1.7425E-05	9.6066E-06	5.1196E-06	2.4620E-06	9.7527E-07		
6	3.3984E-05	3.0550E-05	2.5501E-05	1.9172E-05	1.1462E-05	5.5210E-06	2.6727E-06	1.0862E-06		
7	3.2409E-05	3.0550E-05	2.6068E-05	1.9204E-05	1.1922E-05	5.9599E-06	2.8634E-06	1.1714E-06		
8	2.8259E-05	2.8523E-05	2.5501E-05	1.9204E-05	1.0848E-05	5.9525E-06	2.9697E-06	1.2331E-06		
9	2.3921E-05	2.4696E-05	2.3765E-05	1.9172E-05	1.1922E-05	5.9525E-06	2.9858E-06	1.2598E-06		
10	2.5289E-05	2.3098E-05	2.1854E-05	1.7425E-05	1.1462E-05	5.9599E-06	2.9697E-06	1.2598E-06		
11	2.5590E-05	2.3572E-05	2.0794E-05	1.6213E-05	9.6066E-06	5.5210E-06	2.8634E-06	1.2331E-06		
12	2.3572E-05	2.2292E-05	1.9592E-05	1.5635E-05	9.9033E-06	5.1196E-06	2.6727E-06	1.1714E-06		
13	2.0794E-05	1.9592E-05	1.7194E-05	1.3442E-05	8.9742E-06	4.7731E-06	2.4620E-06	1.0862E-06		
14	1.6213E-05	1.5635E-05	1.3442E-05	1.0136E-05	6.4371E-06	3.9566E-06	2.1585E-06	9.7527E-07		
15	9.6066E-06	9.9033E-06	8.9742E-06	6.4371E-06	4.5249E-06	2.9228E-06	1.7253E-06	8.2044E-07		
16	5.5210E-06	5.1196E-06	4.7731E-06	3.9566E-06	2.9228E-06	2.0166E-06	1.2613E-06	6.3377E-07		
17	2.8634E-06	2.6727E-06	2.4620E-06	2.1585E-06	1.7253E-06	1.2613E-06	8.4000E-07	4.4800E-07		
18	1.2331E-06	1.1714E-06	1.0862E-06	9.7527E-07	8.2044E-07	6.3377E-07	4.4800E-07	2.8148E-07		

1 FLUX GROUP 8 PLANE HZ = 68.50000 CM

	1	2	3	4	5	6	7	8	9	10
1	6.2702E-05	6.2135E-05	6.0443E-05	5.7728E-05	5.4410E-05	5.0975E-05	4.7294E-05	4.2938E-05	3.8405E-05	3.4646E-05
2	6.2135E-05	6.2135E-05	6.0993E-05	5.8675E-05	5.5298E-05	5.1773E-05	4.8600E-05	4.4885E-05	4.0011E-05	3.4372E-05
3	6.0443E-05	6.0993E-05	6.0443E-05	5.8675E-05	5.5340E-05	5.0047E-05	4.7437E-05	4.5861E-05	4.2026E-05	3.5775E-05
4	5.7728E-05	5.8675E-05	5.8675E-05	5.7728E-05	5.5298E-05	5.0047E-05	4.5954E-05	4.5258E-05	4.3709E-05	3.9810E-05
5	5.4410E-05	5.5298E-05	5.5340E-05	5.5298E-05	5.4410E-05	5.1773E-05	4.7437E-05	4.5258E-05	4.4277E-05	4.2526E-05
6	5.0975E-05	5.1773E-05	5.0047E-05	5.0047E-05	5.1773E-05	5.0975E-05	4.8600E-05	4.5861E-05	4.3709E-05	4.2526E-05
7	4.7294E-05	4.8600E-05	4.7437E-05	4.5954E-05	4.7437E-05	4.8600E-05	4.7294E-05	4.4885E-05	4.2026E-05	3.9810E-05
8	4.2938E-05	4.4885E-05	4.5861E-05	4.5258E-05	4.5258E-05	4.5861E-05	4.4885E-05	4.2938E-05	4.0011E-05	3.5775E-05
9	3.8405E-05	4.0011E-05	4.2026E-05	4.3709E-05	4.4277E-05	4.3709E-05	4.2026E-05	4.0011E-05	3.8405E-05	3.4372E-05
10	3.4646E-05	3.4372E-05	3.5775E-05	3.9810E-05	4.2526E-05	4.2526E-05	3.9810E-05	3.5775E-05	3.4372E-05	3.4646E-05
11	3.1286E-05	3.0892E-05	2.9175E-05	3.4315E-05	3.9234E-05	4.1097E-05	3.9234E-05	3.4315E-05	2.9175E-05	3.0892E-05
12	2.7277E-05	2.8840E-05	2.8246E-05	3.0111E-05	3.4645E-05	3.7032E-05	3.7032E-05	3.4645E-05	3.0111E-05	2.8246E-05
13	2.1032E-05	2.3968E-05	2.5431E-05	2.6684E-05	2.8935E-05	3.0973E-05	3.1635E-05	3.0973E-05	2.8935E-05	2.6684E-05
14	1.2405E-05	1.6443E-05	1.9114E-05	1.9812E-05	2.1249E-05	2.3320E-05	2.3336E-05	2.3336E-05	2.3320E-05	2.1249E-05
15	5.5437E-06	7.8837E-06	1.0978E-05	1.2109E-05	1.1740E-05	1.3969E-05	1.4509E-05	1.3207E-05	1.4509E-05	1.3969E-05
16	2.4703E-06	3.5808E-06	4.8458E-06	5.8428E-06	6.2628E-06	6.7436E-06	7.2683E-06	7.2546E-06	7.2546E-06	7.2683E-06
17	1.0283E-06	1.5446E-06	2.1130E-06	2.6431E-06	3.0131E-06	3.2675E-06	3.4961E-06	3.6224E-06	3.6408E-06	3.6224E-06
18	3.4453E-07	5.4844E-07	7.7607E-07	1.0047E-06	1.1938E-06	1.3286E-06	1.4312E-06	1.5049E-06	1.5366E-06	1.5366E-06
	11	12	13	14	15	16	17	18		
1	3.1286E-05	2.7277E-05	2.1032E-05	1.2405E-05	5.5437E-06	2.4703E-06	1.0283E-06	3.4453E-07		
2	3.0892E-05	2.8840E-05	2.3968E-05	1.6443E-05	7.8837E-06	3.5808E-06	1.5446E-06	5.4844E-07		
3	2.9175E-05	2.8246E-05	2.5431E-05	1.9114E-05	1.0978E-05	4.8458E-06	2.1130E-06	7.7607E-07		
4	3.4315E-05	3.0111E-05	2.6684E-05	1.9812E-05	1.2109E-05	5.8428E-06	2.6431E-06	1.0047E-06		
5	3.9234E-05	3.4645E-05	2.8935E-05	2.1249E-05	1.1740E-05	6.2628E-06	3.0131E-06	1.1938E-06		
6	4.1097E-05	3.7032E-05	3.0973E-05	2.3320E-05	1.3969E-05	6.7436E-06	3.2675E-06	1.3286E-06		
7	3.9234E-05	3.7032E-05	3.1635E-05	2.3336E-05	1.4509E-05	7.2683E-06	3.4961E-06	1.4312E-06		
8	3.4315E-05	3.4645E-05	3.0973E-05	2.3336E-05	1.3207E-05	7.2546E-06	3.6224E-06	1.5049E-06		
9	2.9175E-05	3.0111E-05	2.8935E-05	2.3320E-05	1.4509E-05	7.2546E-06	3.6408E-06	1.5366E-06		
10	3.0892E-05	2.8246E-05	2.6684E-05	2.1249E-05	1.3969E-05	7.2683E-06	3.6224E-06	1.5366E-06		
11	3.1286E-05	2.8840E-05	2.5431E-05	1.9812E-05	1.1740E-05	6.7436E-06	3.4961E-06	1.5049E-06		
12	2.8840E-05	2.7277E-05	2.3968E-05	1.9114E-05	1.2109E-05	6.2628E-06	3.2675E-06	1.4312E-06		
13	2.5431E-05	2.3968E-05	2.1032E-05	1.6443E-05	1.0978E-05	5.8428E-06	3.0131E-06	1.3286E-06		
14	1.9812E-05	1.9114E-05	1.6443E-05	1.2405E-05	7.8837E-06	4.8458E-06	2.6431E-06	1.1938E-06		
15	1.1740E-05	1.2109E-05	1.0978E-05	7.8837E-06	5.5437E-06	3.5808E-06	2.1130E-06	1.0047E-06		
16	6.7436E-06	6.2628E-06	5.8428E-06	4.8458E-06	3.5808E-06	2.4703E-06	1.5446E-06	7.7607E-07		
17	3.4961E-06	3.2675E-06	3.0131E-06	2.6431E-06	2.1130E-06	1.5446E-06	1.0283E-06	5.4844E-07		
18	1.5049E-06	1.4312E-06	1.3286E-06	1.1938E-06	1.0047E-06	7.7607E-07	5.4844E-07	3.4453E-07		

1 FLUX GROUP 9 PLANE HZ = 78.0000 CM

	1	2	3	4	5	6	7	8	9	10
1	6.9369E-05	6.8762E-05	6.6947E-05	6.4036E-05	6.0497E-05	5.6870E-05	5.3019E-05	4.8470E-05	4.3758E-05	3.9860E-05
2	6.8762E-05	6.8762E-05	6.7535E-05	6.5047E-05	6.1425E-05	5.7672E-05	5.4352E-05	5.0484E-05	4.5367E-05	3.9384E-05
3	6.6947E-05	6.7535E-05	6.6947E-05	6.5047E-05	6.1454E-05	5.5738E-05	5.2982E-05	5.1446E-05	4.7452E-05	4.0759E-05
4	6.4036E-05	6.5047E-05	6.5047E-05	6.4036E-05	6.1425E-05	5.5738E-05	5.1321E-05	5.0689E-05	4.9210E-05	4.5121E-05
5	6.0497E-05	6.1425E-05	6.1454E-05	6.1425E-05	6.0497E-05	5.7672E-05	5.2982E-05	5.0689E-05	4.9799E-05	4.8061E-05
6	5.6870E-05	5.7672E-05	5.5738E-05	5.5738E-05	5.7672E-05	5.6870E-05	5.4352E-05	5.1446E-05	4.9210E-05	4.8061E-05
7	5.3019E-05	5.4352E-05	5.2982E-05	5.1321E-05	5.2982E-05	5.4352E-05	5.3019E-05	5.0484E-05	4.7452E-05	4.5121E-05
8	4.8470E-05	5.0484E-05	5.1446E-05	5.0689E-05	5.0689E-05	5.1446E-05	5.0484E-05	4.8470E-05	4.5367E-05	4.0759E-05
9	4.3758E-05	4.5367E-05	4.7452E-05	4.9210E-05	4.9799E-05	4.9210E-05	4.7452E-05	4.5367E-05	4.3758E-05	3.9384E-05
10	3.9860E-05	3.9384E-05	4.0759E-05	4.5121E-05	4.8061E-05	4.8061E-05	4.5121E-05	4.0759E-05	3.9384E-05	3.9860E-05
11	3.6171E-05	3.5712E-05	3.3687E-05	3.9224E-05	4.4585E-05	4.6610E-05	4.4585E-05	3.9224E-05	3.3687E-05	3.5712E-05
12	3.1509E-05	3.3362E-05	3.2719E-05	3.4688E-05	3.9587E-05	4.2138E-05	4.2138E-05	3.9587E-05	3.4688E-05	3.2719E-05
13	2.4232E-05	2.7651E-05	2.9371E-05	3.0761E-05	3.3176E-05	3.5338E-05	3.6028E-05	3.5338E-05	3.3176E-05	3.0761E-05
14	1.4266E-05	1.8923E-05	2.2010E-05	2.2804E-05	2.4381E-05	2.6648E-05	2.6601E-05	2.6601E-05	2.6648E-05	2.4381E-05
15	6.3669E-06	9.0597E-06	1.2618E-05	1.3916E-05	1.3470E-05	1.5976E-05	1.6554E-05	1.5055E-05	1.6554E-05	1.5976E-05
16	2.8332E-06	4.1093E-06	5.5628E-06	6.7066E-06	7.1816E-06	7.7165E-06	8.2984E-06	8.2718E-06	8.2718E-06	8.2984E-06
17	1.1781E-06	1.7703E-06	2.4228E-06	3.0306E-06	3.4529E-06	3.7391E-06	3.9933E-06	4.1314E-06	4.1500E-06	4.1314E-06
18	3.9457E-07	6.2825E-07	8.8935E-07	1.1515E-06	1.3679E-06	1.5207E-06	1.6357E-06	1.7173E-06	1.7518E-06	1.7518E-06
	11	12	13	14	15	16	17	18		
1	3.6171E-05	3.1509E-05	2.4232E-05	1.4266E-05	6.3669E-06	2.8332E-06	1.1781E-06	3.9457E-07		
2	3.5712E-05	3.3362E-05	2.7651E-05	1.8923E-05	9.0597E-06	4.1093E-06	1.7703E-06	6.2825E-07		
3	3.3687E-05	3.2719E-05	2.9371E-05	2.2010E-05	1.2618E-05	5.5628E-06	2.4228E-06	8.8935E-07		
4	3.9224E-05	3.4688E-05	3.0761E-05	2.2804E-05	1.3916E-05	6.7066E-06	3.0306E-06	1.1515E-06		
5	4.4585E-05	3.9587E-05	3.3176E-05	2.4381E-05	1.3470E-05	7.1816E-06	3.4529E-06	1.3679E-06		
6	4.6610E-05	4.2138E-05	3.5338E-05	2.6648E-05	1.5976E-05	7.7165E-06	3.7391E-06	1.5207E-06		
7	4.4585E-05	4.2138E-05	3.6028E-05	2.6601E-05	1.6554E-05	8.2984E-06	3.9933E-06	1.6357E-06		
8	3.9224E-05	3.9587E-05	3.5338E-05	2.6601E-05	1.5055E-05	8.2718E-06	4.1314E-06	1.7173E-06		
9	3.3687E-05	3.4688E-05	3.3176E-05	2.6648E-05	1.6554E-05	8.2718E-06	4.1500E-06	1.7518E-06		
10	3.5712E-05	3.2719E-05	3.0761E-05	2.4381E-05	1.5976E-05	8.2984E-06	4.1314E-06	1.7518E-06		
11	3.6171E-05	3.3362E-05	2.9371E-05	2.2804E-05	1.3470E-05	7.7165E-06	3.9933E-06	1.7173E-06		
12	3.3362E-05	3.1509E-05	2.7651E-05	2.2010E-05	1.3916E-05	7.1816E-06	3.7391E-06	1.6357E-06		
13	2.9371E-05	2.7651E-05	2.4232E-05	1.8923E-05	1.2618E-05	6.7066E-06	3.4529E-06	1.5207E-06		
14	2.2804E-05	2.2010E-05	1.8923E-05	1.4266E-05	9.0597E-06	5.5628E-06	3.0306E-06	1.3679E-06		
15	1.3470E-05	1.3916E-05	1.2618E-05	9.0597E-06	6.3669E-06	4.1093E-06	2.4228E-06	1.1515E-06		
16	7.7165E-06	7.1816E-06	6.7066E-06	5.5628E-06	4.1093E-06	2.8332E-06	1.7703E-06	8.8935E-07		
17	3.9933E-06	3.7391E-06	3.4529E-06	3.0306E-06	2.4228E-06	1.7703E-06	1.1781E-06	6.2825E-07		
18	1.7173E-06	1.6357E-06	1.5207E-06	1.3679E-06	1.1515E-06	8.8935E-07	6.2825E-07	3.9457E-07		

1 FLUX GROUP 10 PLANE HZ = 87.50000 CM

	1	2	3	4	5	6	7	8	9	10
1	7.2573E-05	7.1959E-05	7.0123E-05	6.7185E-05	6.3637E-05	6.0062E-05	5.6347E-05	5.2028E-05	4.7694E-05	4.4201E-05
2	7.1959E-05	7.1959E-05	7.0718E-05	6.8199E-05	6.4538E-05	6.0789E-05	5.7572E-05	5.3898E-05	4.9062E-05	4.3511E-05
3	7.0123E-05	7.0718E-05	7.0123E-05	6.8199E-05	6.4545E-05	5.8712E-05	5.5998E-05	5.4707E-05	5.0956E-05	4.4540E-05
4	6.7185E-05	6.8199E-05	6.8199E-05	6.7185E-05	6.4538E-05	5.8712E-05	5.4211E-05	5.3754E-05	5.2577E-05	4.8733E-05
5	6.3637E-05	6.4538E-05	6.4545E-05	6.4538E-05	6.3637E-05	6.0789E-05	5.5998E-05	5.3754E-05	5.3110E-05	5.1604E-05
6	6.0062E-05	6.0789E-05	5.8712E-05	5.8712E-05	6.0789E-05	6.0062E-05	5.7572E-05	5.4707E-05	5.2577E-05	5.1604E-05
7	5.6347E-05	5.7572E-05	5.5998E-05	5.4211E-05	5.5998E-05	5.7572E-05	5.6347E-05	5.3898E-05	5.0956E-05	4.8733E-05
8	5.2028E-05	5.3898E-05	5.4707E-05	5.3754E-05	5.3754E-05	5.4707E-05	5.3898E-05	5.2028E-05	4.9062E-05	4.4540E-05
9	4.7694E-05	4.9062E-05	5.0956E-05	5.2577E-05	5.3110E-05	5.2577E-05	5.0956E-05	4.9062E-05	4.7694E-05	4.3511E-05
10	4.4201E-05	4.3511E-05	4.4540E-05	4.8733E-05	5.1604E-05	5.1604E-05	4.8733E-05	4.4540E-05	4.3511E-05	4.4201E-05
11	4.0319E-05	4.0248E-05	3.9036E-05	4.3162E-05	4.8289E-05	5.0272E-05	4.8289E-05	4.3162E-05	3.9036E-05	4.0248E-05
12	3.4882E-05	3.7204E-05	3.7250E-05	3.8993E-05	4.3297E-05	4.5641E-05	4.5641E-05	4.3297E-05	3.8993E-05	3.7250E-05
13	2.6633E-05	3.0512E-05	3.2612E-05	3.4157E-05	3.6436E-05	3.8404E-05	3.9018E-05	3.8404E-05	3.6436E-05	3.4157E-05
14	1.5606E-05	2.0745E-05	2.4190E-05	2.5093E-05	2.6712E-05	2.8996E-05	2.8818E-05	2.8818E-05	2.8996E-05	2.6712E-05
15	6.9395E-06	9.8906E-06	1.3796E-05	1.5225E-05	1.4709E-05	1.7373E-05	1.7936E-05	1.6286E-05	1.7936E-05	1.7373E-05
16	3.0786E-06	4.4712E-06	6.0598E-06	7.3095E-06	7.8201E-06	8.3811E-06	8.9872E-06	8.9407E-06	8.9407E-06	8.9872E-06
17	1.2774E-06	1.9214E-06	2.6320E-06	3.2939E-06	3.7513E-06	4.0559E-06	4.3220E-06	4.4629E-06	4.4795E-06	4.4629E-06
18	4.2760E-07	6.8113E-07	9.6499E-07	1.2501E-06	1.4850E-06	1.6493E-06	1.7708E-06	1.8556E-06	1.8905E-06	1.8905E-06
	11	12	13	14	15	16	17	18		
1	4.0319E-05	3.4882E-05	2.6633E-05	1.5606E-05	6.9395E-06	3.0786E-06	1.2774E-06	4.2760E-07		
2	4.0248E-05	3.7204E-05	3.0512E-05	2.0745E-05	9.8906E-06	4.4712E-06	1.9214E-06	6.8113E-07		
3	3.9036E-05	3.7250E-05	3.2612E-05	2.4190E-05	1.3796E-05	6.0598E-06	2.6320E-06	9.6499E-07		
4	4.3162E-05	3.8993E-05	3.4157E-05	2.5093E-05	1.5225E-05	7.3095E-06	3.2939E-06	1.2501E-06		
5	4.8289E-05	4.3297E-05	3.6436E-05	2.6712E-05	1.4709E-05	7.8201E-06	3.7513E-06	1.4850E-06		
6	5.0272E-05	4.5641E-05	3.8404E-05	2.8996E-05	1.7373E-05	8.3811E-06	4.0559E-06	1.6493E-06		
7	4.8289E-05	4.5641E-05	3.9018E-05	2.8818E-05	1.7936E-05	8.9872E-06	4.3220E-06	1.7708E-06		
8	4.3162E-05	4.3297E-05	3.8404E-05	2.8818E-05	1.6286E-05	8.9407E-06	4.4629E-06	1.8556E-06		
9	3.9036E-05	3.8993E-05	3.6436E-05	2.8996E-05	1.7936E-05	8.9407E-06	4.4795E-06	1.8905E-06		
10	4.0248E-05	3.7250E-05	3.4157E-05	2.6712E-05	1.7373E-05	8.9872E-06	4.4629E-06	1.8905E-06		
11	4.0319E-05	3.7204E-05	3.2612E-05	2.5093E-05	1.4709E-05	8.3811E-06	4.3220E-06	1.8556E-06		
12	3.7204E-05	3.4882E-05	3.0512E-05	2.4190E-05	1.5225E-05	7.8201E-06	4.0559E-06	1.7708E-06		
13	3.2612E-05	3.0512E-05	2.6633E-05	2.0745E-05	1.3796E-05	7.3095E-06	3.7513E-06	1.6493E-06		
14	2.5093E-05	2.4190E-05	2.0745E-05	1.5606E-05	9.8906E-06	6.0598E-06	3.2939E-06	1.4850E-06		
15	1.4709E-05	1.5225E-05	1.3796E-05	9.8906E-06	6.9395E-06	4.4712E-06	2.6320E-06	1.2501E-06		
16	8.3811E-06	7.8201E-06	7.3095E-06	6.0598E-06	4.4712E-06	3.0786E-06	1.9214E-06	9.6499E-07		
17	4.3220E-06	4.0559E-06	3.7513E-06	3.2939E-06	2.6320E-06	1.9214E-06	1.2774E-06	6.8113E-07		
18	1.8556E-06	1.7708E-06	1.6493E-06	1.4850E-06	1.2501E-06	9.6499E-07	6.8113E-07	4.2760E-07		

1 FLUX GROUP 11 PLANE HZ = 97.00000 CM

	1	2	3	4	5	6	7	8	9	10
1	7.2019E-05	7.1429E-05	6.9668E-05	6.6855E-05	6.3483E-05	6.0147E-05	5.6763E-05	5.2889E-05	4.9114E-05	4.6146E-05
2	7.1429E-05	7.1429E-05	7.0238E-05	6.7819E-05	6.4308E-05	6.0757E-05	5.7814E-05	5.4524E-05	5.0188E-05	4.5200E-05
3	6.9668E-05	7.0238E-05	6.9668E-05	6.7819E-05	6.4291E-05	5.8631E-05	5.6101E-05	5.5135E-05	5.1815E-05	4.5909E-05
4	6.6855E-05	6.7819E-05	6.7819E-05	6.6855E-05	6.4308E-05	5.8631E-05	5.4271E-05	5.4023E-05	5.3222E-05	4.9802E-05
5	6.3483E-05	6.4308E-05	6.4291E-05	6.4308E-05	6.3483E-05	6.0757E-05	5.6101E-05	5.4023E-05	5.3672E-05	5.2479E-05
6	6.0147E-05	6.0757E-05	5.8631E-05	5.8631E-05	6.0757E-05	6.0147E-05	5.7814E-05	5.5135E-05	5.3222E-05	5.2479E-05
7	5.6763E-05	5.7814E-05	5.6101E-05	5.4271E-05	5.6101E-05	5.7814E-05	5.6763E-05	5.4524E-05	5.1815E-05	4.9802E-05
8	5.2889E-05	5.4524E-05	5.5135E-05	5.4023E-05	5.4023E-05	5.5135E-05	5.4524E-05	5.2889E-05	5.0188E-05	4.5909E-05
9	4.9114E-05	5.0188E-05	5.1815E-05	5.3222E-05	5.3672E-05	5.3222E-05	5.1815E-05	5.0188E-05	4.9114E-05	4.5200E-05
10	4.6146E-05	4.5200E-05	4.5909E-05	4.9802E-05	5.2479E-05	5.2479E-05	4.9802E-05	4.5909E-05	4.5200E-05	4.6146E-05
11	4.2288E-05	4.2413E-05	4.1465E-05	4.4724E-05	4.9483E-05	5.1337E-05	4.9483E-05	4.4724E-05	4.1465E-05	4.2413E-05
12	3.6419E-05	3.9037E-05	3.9559E-05	4.1042E-05	4.4727E-05	4.6782E-05	4.6782E-05	4.4727E-05	4.1042E-05	3.9559E-05
13	2.7646E-05	3.1772E-05	3.4111E-05	3.5715E-05	3.7773E-05	3.9476E-05	3.9989E-05	3.9476E-05	3.7773E-05	3.5715E-05
14	1.6131E-05	2.1486E-05	2.5105E-05	2.6063E-05	2.7643E-05	2.9834E-05	2.9538E-05	2.9538E-05	2.9834E-05	2.7643E-05
15	7.1464E-06	1.0202E-05	1.4252E-05	1.5737E-05	1.5176E-05	1.7862E-05	1.8382E-05	1.6665E-05	1.8382E-05	1.7862E-05
16	3.1605E-06	4.5963E-06	6.2370E-06	7.5272E-06	8.0460E-06	8.6037E-06	9.2027E-06	9.1387E-06	9.1387E-06	9.2027E-06
17	1.3084E-06	1.9700E-06	2.7012E-06	3.3824E-06	3.8507E-06	4.1575E-06	4.4215E-06	4.5577E-06	4.5714E-06	4.5577E-06
18	4.3770E-07	6.9756E-07	9.8912E-07	1.2822E-06	1.5231E-06	1.6901E-06	1.8117E-06	1.8951E-06	1.9287E-06	1.9287E-06
	11	12	13	14	15	16	17	18		
1	4.2288E-05	3.6419E-05	2.7646E-05	1.6131E-05	7.1464E-06	3.1605E-06	1.3084E-06	4.3770E-07		
2	4.2413E-05	3.9037E-05	3.1772E-05	2.1486E-05	1.0202E-05	4.5963E-06	1.9700E-06	6.9756E-07		
3	4.1465E-05	3.9559E-05	3.4111E-05	2.5105E-05	1.4252E-05	6.2370E-06	2.7012E-06	9.8912E-07		
4	4.4724E-05	4.1042E-05	3.5715E-05	2.6063E-05	1.5737E-05	7.5272E-06	3.3824E-06	1.2822E-06		
5	4.9483E-05	4.4727E-05	3.7773E-05	2.7643E-05	1.5176E-05	8.0460E-06	3.8507E-06	1.5231E-06		
6	5.1337E-05	4.6782E-05	3.9476E-05	2.9834E-05	1.7862E-05	8.6037E-06	4.1575E-06	1.6901E-06		
7	4.9483E-05	4.6782E-05	3.9989E-05	2.9538E-05	1.8382E-05	9.2027E-06	4.4215E-06	1.8117E-06		
8	4.4724E-05	4.4727E-05	3.9476E-05	2.9538E-05	1.6665E-05	9.1387E-06	4.5577E-06	1.8951E-06		
9	4.1465E-05	4.1042E-05	3.7773E-05	2.9834E-05	1.8382E-05	9.1387E-06	4.5714E-06	1.9287E-06		
10	4.2413E-05	3.9559E-05	3.5715E-05	2.7643E-05	1.7862E-05	9.2027E-06	4.5577E-06	1.9287E-06		
11	4.2288E-05	3.9037E-05	3.4111E-05	2.6063E-05	1.5737E-05	8.6037E-06	4.4215E-06	1.8951E-06		
12	3.9037E-05	3.6419E-05	3.1772E-05	2.5105E-05	1.5737E-05	8.0460E-06	4.1575E-06	1.8117E-06		
13	3.4111E-05	3.1772E-05	2.7646E-05	2.1486E-05	1.4252E-05	7.5272E-06	3.8507E-06	1.6901E-06		
14	2.6063E-05	2.5105E-05	2.1486E-05	1.6131E-05	1.0202E-05	6.2370E-06	3.3824E-06	1.5231E-06		
15	1.5176E-05	1.5737E-05	1.4252E-05	1.0202E-05	7.1464E-06	4.5963E-06	2.7012E-06	1.2822E-06		
16	8.6037E-06	8.0460E-06	7.5272E-06	6.2370E-06	4.5963E-06	3.1605E-06	1.9700E-06	9.8912E-07		
17	4.4215E-06	4.1575E-06	3.8507E-06	3.3824E-06	2.7012E-06	1.9700E-06	1.3084E-06	6.9756E-07		
18	1.8951E-06	1.8117E-06	1.6901E-06	1.5231E-06	1.2822E-06	9.8912E-07	6.9756E-07	4.3770E-07		

1 FLUX GROUP 12 PLANE HZ = 106.50000 CM

	1	2	3	4	5	6	7	8	9	10
1	6.7492E-05	6.6957E-05	6.5359E-05	6.2805E-05	5.9760E-05	5.6790E-05	5.3825E-05	5.0447E-05	4.7187E-05	4.4636E-05
2	6.6957E-05	6.6957E-05	6.5876E-05	6.3675E-05	6.0478E-05	5.7276E-05	5.4697E-05	5.1846E-05	4.8040E-05	4.3585E-05
3	6.5359E-05	6.5876E-05	6.5359E-05	6.3675E-05	6.0440E-05	5.5216E-05	5.2965E-05	5.2293E-05	4.9427E-05	4.4111E-05
4	6.2805E-05	6.3675E-05	6.3675E-05	6.2805E-05	6.0478E-05	5.5216E-05	5.1189E-05	5.1123E-05	5.0636E-05	4.7651E-05
5	5.9760E-05	6.0478E-05	6.0440E-05	6.0478E-05	5.9760E-05	5.7276E-05	5.2965E-05	5.1123E-05	5.1011E-05	5.0095E-05
6	5.6790E-05	5.7276E-05	5.5216E-05	5.5216E-05	5.7276E-05	5.6790E-05	5.4697E-05	5.2293E-05	5.0636E-05	5.0095E-05
7	5.3825E-05	5.4697E-05	5.2965E-05	5.1189E-05	5.2965E-05	5.4697E-05	5.3825E-05	5.1846E-05	4.9427E-05	4.7651E-05
8	5.0447E-05	5.1846E-05	5.2293E-05	5.1123E-05	5.1123E-05	5.2293E-05	5.1846E-05	5.0447E-05	4.8040E-05	4.4111E-05
9	4.7187E-05	4.8040E-05	4.9427E-05	5.0636E-05	5.1011E-05	5.0636E-05	4.9427E-05	4.8040E-05	4.7187E-05	4.3585E-05
10	4.4636E-05	4.3585E-05	4.4111E-05	4.7651E-05	5.0095E-05	5.0095E-05	4.7651E-05	4.4111E-05	4.3585E-05	4.4636E-05
11	4.1029E-05	4.1106E-05	4.0091E-05	4.3063E-05	4.7446E-05	4.9150E-05	4.7446E-05	4.3063E-05	4.0091E-05	4.1106E-05
12	3.5317E-05	3.7884E-05	3.8381E-05	3.9701E-05	4.3057E-05	4.4896E-05	4.4896E-05	4.3057E-05	3.9701E-05	3.8381E-05
13	2.6757E-05	3.0781E-05	3.3067E-05	3.4577E-05	3.6440E-05	3.7949E-05	3.8389E-05	3.7949E-05	3.6440E-05	3.4577E-05
14	1.5575E-05	2.0768E-05	2.4283E-05	2.5198E-05	2.6666E-05	2.8701E-05	2.8358E-05	2.8358E-05	2.8701E-05	2.6666E-05
15	6.8805E-06	9.8346E-06	1.3753E-05	1.5184E-05	1.4618E-05	1.7174E-05	1.7642E-05	1.5975E-05	1.7642E-05	1.7174E-05
16	3.0253E-06	4.4190E-06	6.0017E-06	7.2448E-06	7.7375E-06	8.2608E-06	8.8224E-06	8.7507E-06	8.7507E-06	8.8224E-06
17	1.2544E-06	1.8901E-06	2.5935E-06	3.2486E-06	3.9871E-06	4.2345E-06	4.2345E-06	4.3599E-06	4.3599E-06	4.2345E-06
18	4.1940E-07	6.6864E-07	9.4873E-07	1.2304E-06	1.4614E-06	1.6204E-06	1.7350E-06	1.8127E-06	1.8434E-06	1.8434E-06
	11	12	13	14	15	16	17	18		
1	4.1029E-05	3.5317E-05	2.6757E-05	1.5575E-05	6.8805E-06	3.0353E-06	1.2544E-06	4.1940E-07		
2	4.1106E-05	3.7884E-05	3.0781E-05	2.0768E-05	9.8346E-06	4.4190E-06	1.8901E-06	6.6864E-07		
3	4.0091E-05	3.8381E-05	3.3067E-05	2.4283E-05	1.3753E-05	6.0017E-06	2.5935E-06	9.4873E-07		
4	4.3063E-05	3.9701E-05	3.4577E-05	2.5198E-05	1.5184E-05	7.2448E-06	3.2486E-06	1.2304E-06		
5	4.7446E-05	4.3057E-05	3.6440E-05	2.6666E-05	1.4618E-05	7.7375E-06	3.6970E-06	1.4614E-06		
6	4.9150E-05	4.4896E-05	3.7949E-05	2.8701E-05	1.7174E-05	8.2608E-06	3.9871E-06	1.6204E-06		
7	4.7446E-05	4.4896E-05	3.8389E-05	2.8358E-05	1.7642E-05	8.8224E-06	4.2345E-06	1.7350E-06		
8	4.3063E-05	4.3057E-05	3.7949E-05	2.8358E-05	1.5975E-05	8.7507E-06	4.3599E-06	1.8127E-06		
9	4.0091E-05	3.9701E-05	3.6440E-05	2.8701E-05	1.7642E-05	8.7507E-06	4.3709E-06	1.8434E-06		
10	4.1106E-05	3.8381E-05	3.4577E-05	2.6666E-05	1.7174E-05	8.8224E-06	4.3599E-06	1.8434E-06		
11	4.1029E-05	3.7884E-05	3.3067E-05	2.5198E-05	1.4618E-05	8.2608E-06	4.2345E-06	1.8127E-06		
12	3.7884E-05	3.5317E-05	3.0781E-05	2.4283E-05	1.5184E-05	7.7375E-06	3.9871E-06	1.7350E-06		
13	3.3067E-05	3.0781E-05	2.6757E-05	2.0768E-05	1.3753E-05	7.2448E-06	3.6970E-06	1.6204E-06		
14	2.5198E-05	2.4283E-05	2.0768E-05	1.5575E-05	9.8346E-06	6.0017E-06	3.2486E-06	1.4614E-06		
15	1.4618E-05	1.5184E-05	1.3753E-05	9.8346E-06	6.8805E-06	4.4190E-06	2.5935E-06	1.2304E-06		
16	8.2608E-06	7.7375E-06	7.2448E-06	6.0017E-06	4.4190E-06	3.0353E-06	1.8901E-06	9.4873E-07		
17	4.2345E-06	3.9871E-06	3.6970E-06	3.2486E-06	3.9871E-06	3.0353E-06	1.8901E-06	6.6864E-07		
18	1.8127E-06	1.7350E-06	1.6204E-06	1.4614E-06	1.2304E-06	9.4873E-07	6.6864E-07	4.1940E-07		

1 FLUX GROUP 13 PLANE HZ = 116.00000 CM

	1	2	3	4	5	6	7	8	9	10
1	5.8828E-05	5.8377E-05	5.7027E-05	5.4867E-05	5.2293E-05	4.9801E-05	4.7331E-05	4.4504E-05	4.1780E-05	3.9653E-05
2	5.8377E-05	5.8377E-05	5.7463E-05	5.5598E-05	5.2877E-05	5.0165E-05	4.8025E-05	4.5661E-05	4.2449E-05	3.8616E-05
3	5.7027E-05	5.7463E-05	5.7027E-05	5.5598E-05	5.2824E-05	4.8284E-05	4.6396E-05	4.5979E-05	4.3600E-05	3.9008E-05
4	5.4867E-05	5.5598E-05	5.5598E-05	5.4867E-05	5.2877E-05	4.8284E-05	4.4767E-05	4.4850E-05	4.4606E-05	4.2097E-05
5	5.2293E-05	5.2877E-05	5.2824E-05	5.2877E-05	5.2293E-05	5.0165E-05	4.6396E-05	4.4850E-05	4.4910E-05	4.4225E-05
6	4.9801E-05	5.0165E-05	4.8284E-05	4.8284E-05	5.0165E-05	4.9801E-05	4.8025E-05	4.5979E-05	4.4606E-05	4.4225E-05
7	4.7331E-05	4.8025E-05	4.6396E-05	4.4767E-05	4.6396E-05	4.8025E-05	4.7331E-05	4.5661E-05	4.3600E-05	4.2097E-05
8	4.4504E-05	4.5661E-05	4.5979E-05	4.4850E-05	4.4850E-05	4.5979E-05	4.5661E-05	4.4504E-05	4.2449E-05	3.9008E-05
9	4.1780E-05	4.2449E-05	4.3600E-05	4.4606E-05	4.4910E-05	4.4606E-05	4.3600E-05	4.2449E-05	4.1780E-05	3.8616E-05
10	3.9653E-05	3.8616E-05	3.9008E-05	4.2097E-05	4.4225E-05	4.4225E-05	4.2097E-05	3.9008E-05	3.8616E-05	3.9653E-05
11	3.6518E-05	3.6509E-05	3.5503E-05	3.8123E-05	4.1982E-05	4.3473E-05	4.1982E-05	3.8123E-05	3.5503E-05	3.6509E-05
12	3.1450E-05	3.3724E-05	3.4095E-05	3.5218E-05	3.8169E-05	3.9757E-05	3.9757E-05	3.8169E-05	3.5218E-05	3.4095E-05
13	2.3810E-05	2.7400E-05	2.9424E-05	3.0733E-05	3.2341E-05	3.3633E-05	3.4000E-05	3.3633E-05	3.2341E-05	3.0733E-05
14	1.3829E-05	1.8462E-05	2.1596E-05	2.2389E-05	2.3663E-05	2.5443E-05	2.5105E-05	2.5105E-05	2.5443E-05	2.3663E-05
15	6.0891E-06	8.7138E-06	1.2204E-05	1.3471E-05	1.2943E-05	1.5203E-05	1.5602E-05	1.4107E-05	1.5602E-05	1.5203E-05
16	2.6808E-06	3.9058E-06	5.3090E-06	6.4100E-06	6.8400E-06	7.2952E-06	7.7855E-06	7.7154E-06	7.7855E-06	7.2952E-06
17	1.1068E-06	1.6683E-06	2.2900E-06	2.8689E-06	3.2636E-06	3.5169E-06	3.7319E-06	3.8396E-06	3.8479E-06	3.8396E-06
18	3.6995E-07	5.8988E-07	8.3718E-07	1.0859E-06	1.2895E-06	1.4290E-06	1.5287E-06	1.5961E-06	1.6222E-06	1.6222E-06
	11	12	13	14	15	16	17	18		
1	3.6518E-05	3.1450E-05	2.3810E-05	1.3829E-05	6.0891E-06	2.6808E-06	1.1068E-06	3.6995E-07		
2	3.6509E-05	3.3724E-05	2.7400E-05	1.8462E-05	8.7138E-06	3.9058E-06	1.6683E-06	5.8988E-07		
3	3.5503E-05	3.4095E-05	2.9424E-05	2.1596E-05	1.2204E-05	5.3090E-06	2.2900E-06	8.3718E-07		
4	3.8123E-05	3.5218E-05	3.0733E-05	2.2389E-05	1.3471E-05	6.4100E-06	2.8689E-06	1.0859E-06		
5	4.1982E-05	3.8169E-05	3.2341E-05	2.3663E-05	1.2943E-05	6.8400E-06	3.2636E-06	1.2895E-06		
6	4.3473E-05	3.9757E-05	3.3633E-05	2.5443E-05	1.5203E-05	7.2952E-06	3.5169E-06	1.4290E-06		
7	4.1982E-05	3.9757E-05	3.4000E-05	2.5105E-05	1.5602E-05	7.7855E-06	3.7319E-06	1.5287E-06		
8	3.8123E-05	3.8169E-05	3.3633E-05	2.5105E-05	1.4107E-05	7.7154E-06	3.8396E-06	1.5961E-06		
9	3.5503E-05	3.5218E-05	3.2341E-05	2.5443E-05	1.5602E-05	7.7154E-06	3.8479E-06	1.6222E-06		
10	3.6509E-05	3.4095E-05	3.0733E-05	2.3663E-05	1.5203E-05	7.7855E-06	3.8396E-06	1.6222E-06		
11	3.6518E-05	3.3724E-05	2.9424E-05	2.2389E-05	1.2943E-05	7.2952E-06	3.7319E-06	1.5961E-06		
12	3.3724E-05	3.1450E-05	2.7400E-05	2.1596E-05	1.3471E-05	6.8400E-06	3.5169E-06	1.5287E-06		
13	2.9424E-05	2.7400E-05	2.3810E-05	1.8462E-05	1.2204E-05	6.4100E-06	3.2636E-06	1.4290E-06		
14	2.2389E-05	2.1596E-05	1.8462E-05	1.3829E-05	8.7138E-06	5.3090E-06	2.8689E-06	1.2895E-06		
15	1.2943E-05	1.3471E-05	1.2204E-05	8.7138E-06	6.0891E-06	3.9058E-06	2.2900E-06	1.0859E-06		
16	7.2952E-06	6.8400E-06	6.4100E-06	5.3090E-06	3.9058E-06	2.6808E-06	1.6683E-06	8.3718E-07		
17	3.7319E-06	3.5169E-06	3.2636E-06	2.8689E-06	2.2900E-06	1.6683E-06	1.1068E-06	5.8988E-07		
18	1.5961E-06	1.5287E-06	1.4290E-06	1.2895E-06	1.0859E-06	8.3718E-07	5.8988E-07	3.6995E-07		

1 FLUX GROUP 14 PLANE HZ = 125.50000 CM

	1	2	3	4	5	6	7	8	9	10
1	4.5612E-05	4.5278E-05	4.4278E-05	4.2671E-05	4.0747E-05	3.8871E-05	3.6997E-05	3.4844E-05	3.2778E-05	3.1166E-05
2	4.5278E-05	4.5278E-05	4.4602E-05	4.3215E-05	4.1174E-05	3.9130E-05	3.7519E-05	3.5724E-05	3.3258E-05	3.0258E-05
3	4.4278E-05	4.4602E-05	4.4278E-05	4.3215E-05	4.1124E-05	3.7595E-05	3.6173E-05	3.5955E-05	3.4132E-05	3.0521E-05
4	4.2671E-05	4.3215E-05	4.3215E-05	4.2671E-05	4.1174E-05	3.7595E-05	3.4815E-05	3.4998E-05	3.4899E-05	3.2955E-05
5	4.0747E-05	4.1174E-05	4.1124E-05	4.1174E-05	4.0747E-05	3.9130E-05	3.6173E-05	3.4998E-05	3.5126E-05	3.4611E-05
6	3.8871E-05	3.9130E-05	3.7595E-05	3.7595E-05	3.9130E-05	3.8871E-05	3.7519E-05	3.5955E-05	3.4899E-05	3.4611E-05
7	3.6997E-05	3.7519E-05	3.6173E-05	3.4815E-05	3.6173E-05	3.7519E-05	3.6997E-05	3.5724E-05	3.4132E-05	3.2955E-05
8	3.4844E-05	3.5724E-05	3.5955E-05	3.4998E-05	3.4998E-05	3.5955E-05	3.5724E-05	3.4844E-05	3.3258E-05	3.0521E-05
9	3.2778E-05	3.3258E-05	3.4132E-05	3.4899E-05	3.5126E-05	3.4899E-05	3.4132E-05	3.3258E-05	3.2778E-05	3.0258E-05
10	3.1166E-05	3.0258E-05	3.0521E-05	3.2955E-05	3.4611E-05	3.4611E-05	3.2955E-05	3.0521E-05	3.0258E-05	3.1166E-05
11	2.8701E-05	2.8635E-05	2.7741E-05	2.9831E-05	3.2871E-05	3.4030E-05	3.2871E-05	2.9831E-05	2.7741E-05	2.8635E-05
12	2.4693E-05	2.6491E-05	2.6727E-05	2.7583E-05	2.9903E-05	3.1110E-05	3.1110E-05	2.9903E-05	2.7583E-05	2.6727E-05
13	1.8673E-05	2.1501E-05	2.3096E-05	2.4112E-05	2.5342E-05	2.6315E-05	2.6584E-05	2.6315E-05	2.5342E-05	2.4112E-05
14	1.0812E-05	1.4459E-05	1.6938E-05	1.7538E-05	1.8520E-05	1.9910E-05	1.9605E-05	1.9605E-05	1.9910E-05	1.8520E-05
15	4.7533E-06	6.8003E-06	9.5442E-06	1.0533E-05	1.0095E-05	1.1869E-05	1.2171E-05	1.0978E-05	1.2171E-05	1.1869E-05
16	2.0991E-06	3.0529E-06	4.1460E-06	5.0042E-06	5.3368E-06	5.6879E-06	6.0663E-06	6.0077E-06	6.0077E-06	6.0663E-06
17	8.6994E-07	1.3087E-06	1.7932E-06	2.2439E-06	2.5510E-06	2.7475E-06	2.9133E-06	2.9957E-06	3.0016E-06	2.9957E-06
18	2.9110E-07	4.6369E-07	6.5682E-07	8.5056E-07	1.0091E-06	1.1176E-06	1.1949E-06	1.2467E-06	1.2667E-06	1.2667E-06
	11	12	13	14	15	16	17	18		
1	2.8701E-05	2.4693E-05	1.8673E-05	1.0812E-05	4.7533E-06	2.0991E-06	8.6994E-07	2.9110E-07		
2	2.8635E-05	2.6491E-05	2.1501E-05	1.4459E-05	6.8003E-06	3.0529E-06	1.3087E-06	4.6369E-07		
3	2.7741E-05	2.6727E-05	2.3096E-05	1.6938E-05	9.5442E-06	4.1460E-06	1.7932E-06	6.5682E-07		
4	2.9831E-05	2.7583E-05	2.4112E-05	1.7538E-05	1.0533E-05	5.0042E-06	2.2439E-06	8.5056E-07		
5	3.2871E-05	2.9903E-05	2.5342E-05	1.8520E-05	1.0095E-05	5.3368E-06	2.5510E-06	1.0091E-06		
6	3.4030E-05	3.1110E-05	2.6315E-05	1.9910E-05	1.1869E-05	5.6879E-06	2.7475E-06	1.1176E-06		
7	3.2871E-05	3.1110E-05	2.6584E-05	1.9605E-05	1.2171E-05	6.0663E-06	2.9133E-06	1.1949E-06		
8	2.9831E-05	2.9903E-05	2.6315E-05	1.9605E-05	1.0978E-05	6.0077E-06	2.9957E-06	1.2467E-06		
9	2.7741E-05	2.7583E-05	2.5342E-05	1.9910E-05	1.2171E-05	6.0077E-06	3.0016E-06	1.2667E-06		
10	2.8635E-05	2.6727E-05	2.4112E-05	1.8520E-05	1.1869E-05	6.0663E-06	2.9957E-06	1.2667E-06		
11	2.8701E-05	2.6491E-05	2.3096E-05	1.7538E-05	1.0095E-05	5.6879E-06	2.9133E-06	1.2467E-06		
12	2.6491E-05	2.4693E-05	2.1501E-05	1.6938E-05	1.0533E-05	5.3368E-06	2.7475E-06	1.1949E-06		
13	2.3096E-05	2.1501E-05	1.8673E-05	1.4459E-05	9.5442E-06	5.0042E-06	2.5510E-06	1.1176E-06		
14	1.7538E-05	1.6938E-05	1.4459E-05	1.0812E-05	6.8003E-06	4.1460E-06	2.2439E-06	1.0091E-06		
15	1.0095E-05	1.0533E-05	9.5442E-06	6.8003E-06	4.7533E-06	3.0529E-06	1.7932E-06	8.5056E-07		
16	5.6879E-06	5.3368E-06	5.0042E-06	4.1460E-06	3.0529E-06	2.0991E-06	1.3087E-06	6.5682E-07		
17	2.9133E-06	2.7475E-06	2.5510E-06	2.2439E-06	1.7932E-06	1.3087E-06	8.6994E-07	4.6369E-07		
18	1.2467E-06	1.1949E-06	1.1176E-06	1.0091E-06	8.5056E-07	6.5682E-07	4.6369E-07	2.9110E-07		

1 FLUX GROUP 15 PLANE HZ = 135.00000 CM

	1	2	3	4	5	6	7	8	9	10
1	2.6189E-05	2.6013E-05	2.5490E-05	2.4659E-05	2.3651E-05	2.2611E-05	2.1524E-05	2.0305E-05	1.9144E-05	1.8124E-05
2	2.6013E-05	2.6013E-05	2.5659E-05	2.4952E-05	2.3940E-05	2.2882E-05	2.1915E-05	2.0825E-05	1.9485E-05	1.8021E-05
3	2.5490E-05	2.5659E-05	2.5490E-05	2.4952E-05	2.3971E-05	2.2500E-05	2.1704E-05	2.1101E-05	1.9968E-05	1.8236E-05
4	2.4659E-05	2.4952E-05	2.4952E-05	2.4659E-05	2.3940E-05	2.2500E-05	2.1388E-05	2.1031E-05	2.0409E-05	1.9239E-05
5	2.3651E-05	2.3940E-05	2.3971E-05	2.3940E-05	2.3651E-05	2.2882E-05	2.1704E-05	2.1031E-05	2.0571E-05	1.9978E-05
6	2.2611E-05	2.2882E-05	2.2500E-05	2.2500E-05	2.2882E-05	2.2611E-05	2.1915E-05	2.1101E-05	2.0409E-05	1.9978E-05
7	2.1524E-05	2.1915E-05	2.1704E-05	2.1388E-05	2.1704E-05	2.1915E-05	2.1524E-05	2.0825E-05	1.9968E-05	1.9239E-05
8	2.0305E-05	2.0825E-05	2.1101E-05	2.1031E-05	2.1031E-05	2.1101E-05	2.0825E-05	2.0305E-05	1.9485E-05	1.8236E-05
9	1.9144E-05	1.9485E-05	1.9968E-05	2.0409E-05	2.0571E-05	2.0409E-05	1.9968E-05	1.9485E-05	1.9144E-05	1.8021E-05
10	1.8124E-05	1.8021E-05	1.8236E-05	1.9239E-05	1.9978E-05	1.9978E-05	1.9239E-05	1.8236E-05	1.8021E-05	1.8124E-05
11	1.6511E-05	1.6943E-05	1.6882E-05	1.7681E-05	1.8857E-05	1.9353E-05	1.8857E-05	1.7681E-05	1.6882E-05	1.6943E-05
12	1.4008E-05	1.5180E-05	1.5779E-05	1.6265E-05	1.7089E-05	1.7594E-05	1.7594E-05	1.7089E-05	1.6265E-05	1.5779E-05
13	1.0538E-05	1.2158E-05	1.3160E-05	1.3804E-05	1.4413E-05	1.4850E-05	1.4970E-05	1.4850E-05	1.4413E-05	1.3804E-05
14	6.2650E-06	8.2277E-06	9.5884E-06	1.0030E-05	1.0580E-05	1.1257E-05	1.1136E-05	1.1136E-05	1.1257E-05	1.0580E-05
15	2.9381E-06	4.1047E-06	5.5578E-06	6.1481E-06	6.0456E-06	6.9179E-06	7.0846E-06	6.5495E-06	7.0846E-06	6.9179E-06
16	1.3560E-06	1.9359E-06	2.5760E-06	3.0811E-06	3.3074E-06	3.5213E-06	3.7301E-06	3.7137E-06	3.7137E-06	3.7301E-06
17	5.7769E-07	8.5858E-07	1.1601E-06	1.4376E-06	1.6319E-06	1.7591E-06	1.8610E-06	1.9125E-06	1.9187E-06	1.9125E-06
18	1.9468E-07	3.0837E-07	4.3189E-07	5.5379E-07	6.5394E-07	7.2380E-07	7.7324E-07	8.0585E-07	8.1889E-07	8.1889E-07
	11	12	13	14	15	16	17	18		
1	1.6511E-05	1.4008E-05	1.0538E-05	6.2650E-06	2.9381E-06	1.3560E-06	5.7769E-07	1.9468E-07		
2	1.6943E-05	1.5180E-05	1.2158E-05	8.2277E-06	4.1047E-06	1.9359E-06	8.5858E-07	3.0837E-07		
3	1.6882E-05	1.5779E-05	1.3160E-05	9.5884E-06	5.5578E-06	2.5760E-06	1.1601E-06	4.3189E-07		
4	1.7681E-05	1.6265E-05	1.3804E-05	1.0030E-05	6.1481E-06	3.0811E-06	1.4376E-06	5.5379E-07		
5	1.8857E-05	1.7089E-05	1.4413E-05	1.0580E-05	6.0456E-06	3.3074E-06	1.6319E-06	6.5394E-07		
6	1.9353E-05	1.7594E-05	1.4850E-05	1.1257E-05	6.9179E-06	3.5213E-06	1.7591E-06	7.2380E-07		
7	1.8857E-05	1.7594E-05	1.4970E-05	1.1136E-05	7.0846E-06	3.7301E-06	1.8610E-06	7.7324E-07		
8	1.7681E-05	1.7089E-05	1.4850E-05	1.1136E-05	6.5495E-06	3.7137E-06	1.9125E-06	8.0585E-07		
9	1.6882E-05	1.6265E-05	1.4413E-05	1.1257E-05	7.0846E-06	3.7137E-06	1.9187E-06	8.1889E-07		
10	1.6943E-05	1.5779E-05	1.3804E-05	1.0580E-05	6.9179E-06	3.7301E-06	1.9125E-06	8.1889E-07		
11	1.6511E-05	1.5180E-05	1.3160E-05	1.0030E-05	6.0456E-06	3.5213E-06	1.8610E-06	8.0585E-07		
12	1.5180E-05	1.4008E-05	1.2158E-05	9.5884E-06	6.1481E-06	3.3074E-06	1.7591E-06	7.7324E-07		
13	1.3160E-05	1.2158E-05	1.0538E-05	8.2277E-06	5.5578E-06	3.0811E-06	1.6319E-06	7.2380E-07		
14	1.0030E-05	9.5884E-06	8.2277E-06	6.2650E-06	4.1047E-06	2.5760E-06	1.4376E-06	6.5394E-07		
15	6.0456E-06	6.1481E-06	5.5578E-06	4.1047E-06	2.9381E-06	1.9359E-06	1.1601E-06	5.5379E-07		
16	3.5213E-06	3.3074E-06	3.0811E-06	2.5760E-06	1.9359E-06	1.3560E-06	8.5858E-07	4.3189E-07		
17	1.8610E-06	1.7591E-06	1.6319E-06	1.4376E-06	1.1601E-06	8.5858E-07	5.7769E-07	3.0837E-07		
18	8.0585E-07	7.7324E-07	7.2380E-07	6.5394E-07	5.5379E-07	4.3189E-07	3.0837E-07	1.9468E-07		

1 FLUX GROUP 16 PLANE HZ = 145.00000 CM

	1	2	3	4	5	6	7	8	9	10
1	1.0358E-05	1.0301E-05	1.0140E-05	9.8976E-06	9.5890E-06	9.2041E-06	8.7483E-06	8.2769E-06	7.8574E-06	7.3762E-06
2	1.0301E-05	1.0301E-05	1.0193E-05	9.9983E-06	9.7581E-06	9.4504E-06	9.0090E-06	8.5025E-06	8.0520E-06	7.7582E-06
3	1.0140E-05	1.0193E-05	1.0140E-05	9.9983E-06	9.8381E-06	9.8363E-06	9.5294E-06	8.7734E-06	8.2250E-06	7.9029E-06
4	9.8976E-06	9.9983E-06	9.9983E-06	9.8976E-06	9.7581E-06	9.8363E-06	9.8668E-06	9.2566E-06	8.4070E-06	7.8875E-06
5	9.5890E-06	9.7581E-06	9.8381E-06	9.7581E-06	9.5890E-06	9.4504E-06	9.5294E-06	9.2566E-06	8.5068E-06	7.9697E-06
6	9.2041E-06	9.4504E-06	9.8363E-06	9.8363E-06	9.4504E-06	9.2041E-06	9.0090E-06	8.7734E-06	8.4070E-06	7.9697E-06
7	8.7483E-06	9.0090E-06	9.5294E-06	9.8668E-06	9.5294E-06	9.0090E-06	8.7483E-06	8.5025E-06	8.2250E-06	7.8875E-06
8	8.2769E-06	8.5025E-06	8.7734E-06	9.2566E-06	9.2566E-06	8.7734E-06	8.5025E-06	8.2769E-06	8.0520E-06	7.9029E-06
9	7.8574E-06	8.0520E-06	8.2250E-06	8.4070E-06	8.5068E-06	8.4070E-06	8.2250E-06	8.0520E-06	7.8574E-06	7.7582E-06
10	7.3762E-06	7.7582E-06	7.9029E-06	7.8875E-06	7.9697E-06	7.9697E-06	7.8875E-06	7.9029E-06	7.7582E-06	7.3762E-06
11	6.5409E-06	7.1892E-06	7.6027E-06	7.5330E-06	7.4177E-06	7.4491E-06	7.4177E-06	7.5330E-06	7.6027E-06	7.1892E-06
12	5.3598E-06	5.9591E-06	6.6615E-06	6.8548E-06	6.6737E-06	6.6859E-06	6.6859E-06	6.6737E-06	6.8548E-06	6.6615E-06
13	4.0024E-06	4.6267E-06	5.1082E-06	5.4301E-06	5.5762E-06	5.6298E-06	5.6478E-06	5.6298E-06	5.5762E-06	5.4301E-06
14	2.5760E-06	3.2227E-06	3.6852E-06	3.9687E-06	4.1798E-06	4.3191E-06	4.3392E-06	4.3392E-06	4.3191E-06	4.1798E-06
15	1.3827E-06	1.8384E-06	2.3190E-06	2.5745E-06	2.6576E-06	2.8910E-06	2.9522E-06	2.8569E-06	2.9522E-06	2.8910E-06
16	6.9554E-07	9.5834E-07	1.2268E-06	1.4415E-06	1.5648E-06	1.6633E-06	1.7409E-06	1.7493E-06	1.7493E-06	1.7409E-06
17	3.1198E-07	4.5339E-07	5.9691E-07	7.2633E-07	8.2169E-07	8.8697E-07	9.3484E-07	9.5987E-07	9.6494E-07	9.5987E-07
18	1.0647E-07	1.6695E-07	2.2901E-07	2.8830E-07	3.3737E-07	3.7288E-07	3.9785E-07	4.1386E-07	4.2068E-07	4.2068E-07
	11	12	13	14	15	16	17	18		
1	6.5409E-06	5.3598E-06	4.0024E-06	2.5760E-06	1.3827E-06	6.9554E-07	3.1198E-07	1.0647E-07		
2	7.1892E-06	5.9591E-06	4.6267E-06	3.2227E-06	1.8384E-06	9.5834E-07	4.5339E-07	1.6695E-07		
3	7.6027E-06	6.6615E-06	5.1082E-06	3.6852E-06	2.3190E-06	1.2268E-06	5.9691E-07	2.2901E-07		
4	7.5330E-06	6.8548E-06	5.4301E-06	3.9687E-06	2.5745E-06	1.4415E-06	7.2633E-07	2.8830E-07		
5	7.4177E-06	6.6737E-06	5.5762E-06	4.1798E-06	2.6576E-06	1.5648E-06	8.2169E-07	3.3737E-07		
6	7.4491E-06	6.6859E-06	5.6298E-06	4.3191E-06	2.8910E-06	1.6633E-06	8.8697E-07	3.7288E-07		
7	7.4177E-06	6.6859E-06	5.6478E-06	4.3392E-06	2.9522E-06	1.7409E-06	9.3484E-07	3.9785E-07		
8	7.5330E-06	6.6737E-06	5.6298E-06	4.3392E-06	2.8569E-06	1.7493E-06	9.5987E-07	4.1386E-07		
9	7.6027E-06	6.8548E-06	5.5762E-06	4.3191E-06	2.9522E-06	1.7493E-06	9.6494E-07	4.2068E-07		
10	7.1892E-06	6.6615E-06	5.4301E-06	4.1798E-06	2.8910E-06	1.7409E-06	9.5987E-07	4.2068E-07		
11	6.5409E-06	5.9591E-06	5.1082E-06	3.9687E-06	2.6576E-06	1.6633E-06	9.3484E-07	4.1386E-07		
12	5.9591E-06	5.3598E-06	4.6267E-06	3.6852E-06	2.5745E-06	1.5648E-06	8.8697E-07	3.9785E-07		
13	5.1082E-06	4.6267E-06	4.0024E-06	3.2227E-06	2.3190E-06	1.4415E-06	8.2169E-07	3.7288E-07		
14	3.9687E-06	3.6852E-06	3.2227E-06	2.5760E-06	1.8384E-06	1.2268E-06	7.2633E-07	3.3737E-07		
15	2.6576E-06	2.5745E-06	2.3190E-06	1.8384E-06	1.3827E-06	9.5834E-07	5.9691E-07	2.8830E-07		
16	1.6633E-06	1.5648E-06	1.4415E-06	1.2268E-06	9.5834E-07	6.9554E-07	4.5339E-07	2.2901E-07		
17	9.3484E-07	8.8697E-07	8.2169E-07	7.2633E-07	5.9691E-07	4.5339E-07	3.1198E-07	1.6695E-07		
18	4.1386E-07	3.9785E-07	3.7288E-07	3.3737E-07	2.8830E-07	2.2901E-07	1.6695E-07	1.0647E-07		

1 FLUX GROUP 17 PLANE HZ = 155.00000 CM

	1	2	3	4	5	6	7	8	9	10
1	4.1579E-06	4.1435E-06	4.1046E-06	4.0491E-06	3.9653E-06	3.8235E-06	3.6297E-06	3.4369E-06	3.2792E-06	3.0718E-06
2	4.1435E-06	4.1435E-06	4.1178E-06	4.0795E-06	4.0415E-06	3.9554E-06	3.7649E-06	3.5366E-06	3.3634E-06	3.2749E-06
3	4.1046E-06	4.1178E-06	4.1046E-06	4.0795E-06	4.0883E-06	4.1969E-06	4.0800E-06	3.6892E-06	3.4321E-06	3.3368E-06
4	4.0491E-06	4.0795E-06	4.0795E-06	4.0491E-06	4.0415E-06	4.1969E-06	4.2772E-06	3.9677E-06	3.5100E-06	3.2686E-06
5	3.9653E-06	4.0415E-06	4.0883E-06	4.0415E-06	3.9653E-06	3.9554E-06	4.0800E-06	3.9677E-06	3.5582E-06	3.2605E-06
6	3.8235E-06	3.9554E-06	4.1969E-06	4.1969E-06	3.9554E-06	3.8235E-06	3.7649E-06	3.6892E-06	3.5100E-06	3.2605E-06
7	3.6297E-06	3.7649E-06	4.0800E-06	4.2772E-06	4.0800E-06	3.7649E-06	3.6297E-06	3.5366E-06	3.4321E-06	3.2686E-06
8	3.4369E-06	3.5366E-06	3.6892E-06	3.9677E-06	3.9677E-06	3.6892E-06	3.5366E-06	3.4369E-06	3.3634E-06	3.3368E-06
9	3.2792E-06	3.3634E-06	3.4321E-06	3.5100E-06	3.5582E-06	3.5100E-06	3.4321E-06	3.3634E-06	3.2792E-06	3.2749E-06
10	3.0718E-06	3.2749E-06	3.3368E-06	3.2686E-06	3.2605E-06	3.2605E-06	3.2686E-06	3.3368E-06	3.2749E-06	3.0718E-06
11	2.6757E-06	3.0114E-06	3.2280E-06	3.1483E-06	3.0029E-06	2.9815E-06	3.0029E-06	3.1483E-06	3.2280E-06	3.0114E-06
12	2.1406E-06	2.4188E-06	2.7750E-06	2.8500E-06	2.6906E-06	2.6448E-06	2.6448E-06	2.6906E-06	2.8500E-06	2.7750E-06
13	1.5887E-06	1.8409E-06	2.0593E-06	2.2048E-06	2.2381E-06	2.2235E-06	2.2180E-06	2.2235E-06	2.2381E-06	2.2048E-06
14	1.0559E-06	1.2967E-06	1.4786E-06	1.6078E-06	1.6898E-06	1.7242E-06	1.7287E-06	1.7287E-06	1.7242E-06	1.6898E-06
15	6.0391E-07	7.8080E-07	9.6241E-07	1.0693E-06	1.1153E-06	1.1967E-06	1.2171E-06	1.1877E-06	1.2171E-06	1.1967E-06
16	3.2163E-07	4.3216E-07	5.4087E-07	6.2919E-07	6.8497E-07	7.2682E-07	7.5625E-07	7.6129E-07	7.6129E-07	7.5625E-07
17	1.5002E-07	2.1418E-07	2.7654E-07	3.3205E-07	3.7419E-07	4.0369E-07	4.2430E-07	4.3504E-07	4.3756E-07	4.3504E-07
18	5.1689E-08	8.0378E-08	1.0841E-07	1.3447E-07	1.5613E-07	1.7216E-07	1.8339E-07	1.9041E-07	1.9347E-07	1.9347E-07
	11	12	13	14	15	16	17	18		
1	2.6757E-06	2.1406E-06	1.5887E-06	1.0559E-06	6.0391E-07	3.2163E-07	1.5002E-07	5.1689E-08		
2	3.0114E-06	2.4188E-06	1.8409E-06	1.2967E-06	7.8080E-07	4.3216E-07	2.1418E-07	8.0378E-08		
3	3.2280E-06	2.7750E-06	2.0593E-06	1.4786E-06	9.6241E-07	5.4087E-07	2.7654E-07	1.0841E-07		
4	3.1483E-06	2.8500E-06	2.2048E-06	1.6078E-06	1.0693E-06	6.2919E-07	3.3205E-07	1.3447E-07		
5	3.0029E-06	2.6906E-06	2.2381E-06	1.6898E-06	1.1153E-06	6.8497E-07	3.7419E-07	1.5613E-07		
6	2.9815E-06	2.6448E-06	2.2235E-06	1.7242E-06	1.1967E-06	7.2682E-07	4.0369E-07	1.7216E-07		
7	3.0029E-06	2.6448E-06	2.2180E-06	1.7287E-06	1.2171E-06	7.5625E-07	4.2430E-07	1.8339E-07		
8	3.1483E-06	2.6906E-06	2.2235E-06	1.7287E-06	1.1877E-06	7.6129E-07	4.3504E-07	1.9041E-07		
9	3.2280E-06	2.8500E-06	2.2381E-06	1.7242E-06	1.2171E-06	7.6129E-07	4.3756E-07	1.9347E-07		
10	3.0114E-06	2.7750E-06	2.2048E-06	1.6898E-06	1.1967E-06	7.5625E-07	4.3504E-07	1.9347E-07		
11	2.6757E-06	2.4188E-06	2.0593E-06	1.6078E-06	1.1153E-06	7.2682E-07	4.2430E-07	1.9041E-07		
12	2.4188E-06	2.1406E-06	1.8409E-06	1.4786E-06	1.0693E-06	6.8497E-07	4.0369E-07	1.8339E-07		
13	2.0593E-06	1.8409E-06	1.5887E-06	1.2967E-06	9.6241E-07	6.2919E-07	3.7419E-07	1.7216E-07		
14	1.6078E-06	1.4786E-06	1.2967E-06	1.0559E-06	7.8080E-07	5.4087E-07	3.3205E-07	1.5613E-07		
15	1.1153E-06	1.0693E-06	9.6241E-07	7.8080E-07	6.0391E-07	4.3216E-07	2.7654E-07	1.3447E-07		
16	7.2682E-07	6.8497E-07	6.2919E-07	5.4087E-07	4.3216E-07	3.2163E-07	2.1418E-07	1.0841E-07		
17	4.2430E-07	4.0369E-07	3.7419E-07	3.3205E-07	2.7654E-07	2.1418E-07	1.5002E-07	8.0378E-08		
18	1.9041E-07	1.8339E-07	1.7216E-07	1.5613E-07	1.3447E-07	1.0841E-07	8.0378E-08	5.1689E-08		

1 FLUX GROUP 18 PLANE HZ = 165.00000 CM

	1	2	3	4	5	6	7	8	9	10
1	1.6431E-06	1.6406E-06	1.6349E-06	1.6277E-06	1.6081E-06	1.5567E-06	1.4769E-06	1.3985E-06	1.3380E-06	1.2524E-06
2	1.6406E-06	1.6406E-06	1.6371E-06	1.6358E-06	1.6390E-06	1.6165E-06	1.5384E-06	1.4408E-06	1.3720E-06	1.3414E-06
3	1.6349E-06	1.6371E-06	1.6349E-06	1.6358E-06	1.6606E-06	1.7311E-06	1.6873E-06	1.5124E-06	1.3994E-06	1.3654E-06
4	1.6277E-06	1.6358E-06	1.6358E-06	1.6277E-06	1.6390E-06	1.7311E-06	1.7785E-06	1.6418E-06	1.4322E-06	1.3258E-06
5	1.6081E-06	1.6390E-06	1.6606E-06	1.6390E-06	1.6081E-06	1.6165E-06	1.6873E-06	1.6418E-06	1.4535E-06	1.3141E-06
6	1.5567E-06	1.6165E-06	1.7311E-06	1.7311E-06	1.6165E-06	1.5567E-06	1.5384E-06	1.5124E-06	1.4322E-06	1.3141E-06
7	1.4769E-06	1.5384E-06	1.6873E-06	1.7785E-06	1.6873E-06	1.5384E-06	1.4769E-06	1.4408E-06	1.3994E-06	1.3258E-06
8	1.3985E-06	1.4408E-06	1.5124E-06	1.6418E-06	1.6418E-06	1.5124E-06	1.4408E-06	1.3985E-06	1.3720E-06	1.3654E-06
9	1.3380E-06	1.3720E-06	1.3994E-06	1.4322E-06	1.4535E-06	1.4322E-06	1.3994E-06	1.3720E-06	1.3380E-06	1.3414E-06
10	1.2524E-06	1.3414E-06	1.3654E-06	1.3258E-06	1.3141E-06	1.3141E-06	1.3258E-06	1.3654E-06	1.3414E-06	1.2524E-06
11	1.0800E-06	1.2284E-06	1.3226E-06	1.2801E-06	1.2017E-06	1.1858E-06	1.2017E-06	1.2801E-06	1.3226E-06	1.2284E-06
12	8.5131E-07	9.7105E-07	1.1272E-06	1.1556E-06	1.0735E-06	1.0431E-06	1.0431E-06	1.0735E-06	1.1556E-06	1.1272E-06
13	6.2779E-07	7.2960E-07	8.2248E-07	8.8341E-07	8.9018E-07	8.7494E-07	8.6901E-07	8.7494E-07	8.9018E-07	8.8341E-07
14	4.2175E-07	5.1473E-07	5.8747E-07	6.4123E-07	6.7257E-07	6.8140E-07	6.8025E-07	6.8025E-07	6.8140E-07	6.7257E-07
15	2.4783E-07	3.1638E-07	3.8692E-07	4.3000E-07	4.4937E-07	4.7954E-07	4.8599E-07	4.7460E-07	4.8599E-07	4.7954E-07
16	1.3595E-07	1.8022E-07	2.2311E-07	2.5829E-07	2.8118E-07	2.9786E-07	3.0890E-07	3.1075E-07	3.1075E-07	3.0890E-07
17	6.4843E-08	9.1609E-08	1.1697E-07	1.3939E-07	1.5662E-07	1.6875E-07	1.7701E-07	1.8123E-07	1.8223E-07	1.8123E-07
18	2.2464E-08	3.4757E-08	4.6400E-08	5.7040E-08	6.5890E-08	7.2498E-08	7.7098E-08	7.9924E-08	8.1144E-08	8.1144E-08
	11	12	13	14	15	16	17	18		
1	1.0800E-06	8.5131E-07	6.2779E-07	4.2175E-07	2.4783E-07	1.3595E-07	6.4843E-08	2.2464E-08		
2	1.2284E-06	9.7105E-07	7.2960E-07	5.1473E-07	3.1638E-07	1.8022E-07	9.1609E-08	3.4757E-08		
3	1.3226E-06	1.1272E-06	8.2248E-07	5.8747E-07	3.8692E-07	2.2311E-07	1.1697E-07	4.6400E-08		
4	1.2801E-06	1.1556E-06	8.8341E-07	6.4123E-07	4.3000E-07	2.5829E-07	1.3939E-07	5.7040E-08		
5	1.2017E-06	1.0735E-06	8.9018E-07	6.7257E-07	4.4937E-07	2.8118E-07	1.5662E-07	6.5890E-08		
6	1.1858E-06	1.0431E-06	8.7494E-07	6.8140E-07	4.7954E-07	2.9786E-07	1.6875E-07	7.2498E-08		
7	1.2017E-06	1.0431E-06	8.6901E-07	6.8025E-07	4.8599E-07	3.0890E-07	1.7701E-07	7.7098E-08		
8	1.2801E-06	1.0735E-06	8.7494E-07	6.8025E-07	4.7460E-07	3.1075E-07	1.8123E-07	7.9924E-08		
9	1.3226E-06	1.1556E-06	8.9018E-07	6.8140E-07	4.8599E-07	3.1075E-07	1.8223E-07	8.1144E-08		
10	1.2284E-06	1.1272E-06	8.8341E-07	6.7257E-07	4.7954E-07	3.0890E-07	1.8123E-07	8.1144E-08		
11	1.0800E-06	9.7105E-07	8.2248E-07	6.4123E-07	4.4937E-07	2.9786E-07	1.7701E-07	7.9924E-08		
12	9.7105E-07	8.5131E-07	7.2960E-07	5.8747E-07	4.3000E-07	2.8118E-07	1.6875E-07	7.7098E-08		
13	8.2248E-07	7.2960E-07	6.2779E-07	5.1473E-07	3.8692E-07	2.5829E-07	1.5662E-07	7.2498E-08		
14	6.4123E-07	5.8747E-07	5.1473E-07	4.2175E-07	3.1638E-07	2.2311E-07	1.3939E-07	6.5890E-08		
15	4.4937E-07	4.3000E-07	3.8692E-07	3.1638E-07	2.4783E-07	1.8022E-07	1.1697E-07	5.7040E-08		
16	2.9786E-07	2.8118E-07	2.5829E-07	2.2311E-07	1.8022E-07	1.3595E-07	9.1609E-08	4.6400E-08		
17	1.7701E-07	1.6875E-07	1.5662E-07	1.3939E-07	1.1697E-07	9.1609E-08	6.4843E-08	3.4757E-08		
18	7.9924E-08	7.7098E-08	7.2498E-08	6.5890E-08	5.7040E-08	4.6400E-08	3.4757E-08	2.2464E-08		

1 FLUX GROUP 19 PLANE HZ = 175.00000 CM

	1	2	3	4	5	6	7	8	9	10
1	5.1937E-07	5.1912E-07	5.1918E-07	5.2045E-07	5.1802E-07	5.0248E-07	4.7551E-07	4.5147E-07	4.4023E-07	4.1842E-07
2	5.1912E-07	5.1912E-07	5.1930E-07	5.2249E-07	5.3144E-07	5.2989E-07	5.0102E-07	4.6538E-07	4.4964E-07	4.7039E-07
3	5.1918E-07	5.1930E-07	5.1918E-07	5.2249E-07	5.4238E-07	6.0735E-07	5.9322E-07	4.9751E-07	4.5615E-07	4.7731E-07
4	5.2045E-07	5.2249E-07	5.2249E-07	5.2045E-07	5.3144E-07	6.0735E-07	6.6465E-07	5.7811E-07	4.6780E-07	4.3370E-07
5	5.1802E-07	5.3144E-07	5.4238E-07	5.3144E-07	5.1802E-07	5.2989E-07	5.9322E-07	5.7811E-07	4.7769E-07	4.2315E-07
6	5.0248E-07	5.2989E-07	6.0735E-07	6.0735E-07	5.2989E-07	5.0248E-07	5.0102E-07	4.9751E-07	4.6780E-07	4.2315E-07
7	4.7551E-07	5.0102E-07	5.9322E-07	6.6465E-07	5.9322E-07	5.0102E-07	4.7551E-07	4.6538E-07	4.5615E-07	4.3370E-07
8	4.5147E-07	4.6538E-07	4.9751E-07	5.7811E-07	5.7811E-07	4.9751E-07	4.6538E-07	4.5147E-07	4.4964E-07	4.7731E-07
9	4.4023E-07	4.4964E-07	4.5615E-07	4.6780E-07	4.7769E-07	4.6780E-07	4.5615E-07	4.4964E-07	4.4023E-07	4.7039E-07
10	4.1842E-07	4.7039E-07	4.7731E-07	4.3370E-07	4.2315E-07	4.2315E-07	4.3370E-07	4.7731E-07	4.7039E-07	4.1842E-07
11	3.5573E-07	4.3165E-07	4.9216E-07	4.4727E-07	3.8839E-07	3.7865E-07	3.8839E-07	4.4727E-07	4.9216E-07	4.3165E-07
12	2.7311E-07	3.1826E-07	3.9567E-07	4.0473E-07	3.4942E-07	3.3186E-07	3.3186E-07	3.4942E-07	4.0473E-07	3.9567E-07
13	1.9776E-07	2.3219E-07	2.6597E-07	2.8810E-07	2.8691E-07	2.7723E-07	2.7723E-07	2.8691E-07	2.8810E-07	2.8810E-07
14	1.2763E-07	1.5912E-07	1.8478E-07	2.0030E-07	2.0985E-07	2.1373E-07	2.0998E-07	2.0998E-07	2.1373E-07	2.0985E-07
15	7.2776E-08	9.3579E-08	1.1688E-07	1.3008E-07	1.3387E-07	1.4486E-07	1.4644E-07	1.4061E-07	1.4644E-07	1.4486E-07
16	3.9806E-08	5.2760E-08	6.5525E-08	7.6044E-08	8.2611E-08	8.7469E-08	9.0785E-08	9.1055E-08	9.1055E-08	9.0785E-08
17	1.9056E-08	2.6866E-08	3.4262E-08	4.0817E-08	4.5841E-08	4.9361E-08	5.1756E-08	5.2954E-08	5.3220E-08	5.2954E-08
18	6.6201E-09	1.0228E-08	1.3627E-08	1.6729E-08	1.9309E-08	2.1233E-08	2.2569E-08	2.3385E-08	2.3731E-08	2.3731E-08
	11	12	13	14	15	16	17	18		
1	3.5573E-07	2.7311E-07	1.9776E-07	1.2763E-07	7.2776E-08	3.9806E-08	1.9056E-08	6.6201E-09		
2	4.3165E-07	3.1826E-07	2.3219E-07	1.5912E-07	9.3579E-08	5.2760E-08	2.6866E-08	1.0228E-08		
3	4.9216E-07	3.9567E-07	2.6597E-07	1.8478E-07	1.1688E-07	6.5525E-08	3.4262E-08	1.3627E-08		
4	4.4727E-07	4.0473E-07	2.8810E-07	2.0030E-07	1.3008E-07	7.6044E-08	4.0817E-08	1.6729E-08		
5	3.8839E-07	3.4942E-07	2.8691E-07	2.0985E-07	1.3387E-07	8.2611E-08	4.5841E-08	1.9309E-08		
6	3.7865E-07	3.3186E-07	2.7723E-07	2.1373E-07	1.4486E-07	8.7469E-08	4.9361E-08	2.1233E-08		
7	3.8839E-07	3.3186E-07	2.7373E-07	2.0998E-07	1.4644E-07	9.0785E-08	5.1756E-08	2.2569E-08		
8	4.4727E-07	3.4942E-07	2.7723E-07	2.0998E-07	1.4061E-07	9.1055E-08	5.2954E-08	2.3385E-08		
9	4.9216E-07	4.0473E-07	2.8691E-07	2.1373E-07	1.4644E-07	9.1055E-08	5.3220E-08	2.3731E-08		
10	4.3165E-07	3.9567E-07	2.8810E-07	2.0985E-07	1.4486E-07	9.0785E-08	5.2954E-08	2.3731E-08		
11	3.5573E-07	3.1826E-07	2.6597E-07	2.0030E-07	1.3387E-07	8.7469E-08	5.1756E-08	2.3385E-08		
12	3.1826E-07	2.7311E-07	2.3219E-07	1.8478E-07	1.3008E-07	8.2611E-08	4.9361E-08	2.2569E-08		
13	2.6597E-07	2.3219E-07	1.9776E-07	1.5912E-07	1.1688E-07	7.6044E-08	4.5841E-08	2.1233E-08		
14	2.0030E-07	1.8478E-07	1.5912E-07	1.2763E-07	9.3579E-08	6.5525E-08	4.0817E-08	1.9309E-08		
15	1.3387E-07	1.3008E-07	1.1688E-07	9.3579E-08	7.2776E-08	5.2760E-08	3.4262E-08	1.6729E-08		
16	8.7469E-08	8.2611E-08	7.6044E-08	6.5525E-08	5.2760E-08	3.9806E-08	2.6866E-08	1.3627E-08		
17	5.1756E-08	4.9361E-08	4.5841E-08	4.0817E-08	3.4262E-08	2.6866E-08	1.9056E-08	1.0228E-08		
18	2.3385E-08	2.2569E-08	2.1233E-08	1.9309E-08	1.6729E-08	1.3627E-08	1.0228E-08	6.6201E-09		

2 FLUX GROUP 1 PLANE HZ = 0.0 CM

	1	2	3	4	5	6	7	8	9	10
1	5.1274E-06	5.0681E-06	4.8908E-06	4.6069E-06	4.2644E-06	3.9273E-06	3.5944E-06	3.2027E-06	2.7269E-06	2.2791E-06
2	5.0681E-06	5.0681E-06	4.9482E-06	4.7048E-06	4.3509E-06	3.9841E-06	3.6849E-06	3.3677E-06	2.9307E-06	2.3602E-06
3	4.8908E-06	4.9482E-06	4.8908E-06	4.7048E-06	4.3522E-06	3.7831E-06	3.4684E-06	3.3891E-06	3.0842E-06	2.5312E-06
4	4.6069E-06	4.7048E-06	4.7048E-06	4.6069E-06	4.3509E-06	3.7831E-06	3.1404E-06	3.1910E-06	3.1510E-06	2.8139E-06
5	4.2644E-06	4.3509E-06	4.3522E-06	4.3509E-06	4.2644E-06	3.9841E-06	3.4684E-06	3.1910E-06	3.1523E-06	2.9296E-06
6	3.9273E-06	3.9841E-06	3.7831E-06	3.7831E-06	3.9841E-06	3.9273E-06	3.6849E-06	3.3891E-06	3.1510E-06	2.9296E-06
7	3.5944E-06	3.6849E-06	3.4684E-06	3.1404E-06	3.4684E-06	3.6849E-06	3.5944E-06	3.3677E-06	3.0842E-06	2.8139E-06
8	3.2027E-06	3.3677E-06	3.3891E-06	3.1910E-06	3.1910E-06	3.3891E-06	3.3677E-06	3.2027E-06	2.9307E-06	2.5312E-06
9	2.7269E-06	2.9307E-06	3.0842E-06	3.1510E-06	3.1523E-06	3.1510E-06	3.0842E-06	2.9307E-06	2.7269E-06	2.3602E-06
10	2.2791E-06	2.3602E-06	2.5312E-06	2.8139E-06	2.9296E-06	2.9296E-06	2.8139E-06	2.5312E-06	2.3602E-06	2.2791E-06
11	1.9646E-06	1.9868E-06	1.9387E-06	2.2953E-06	2.5832E-06	2.6572E-06	2.5832E-06	2.2953E-06	1.9387E-06	1.9868E-06
12	1.6993E-06	1.8034E-06	1.7991E-06	1.9330E-06	2.2045E-06	2.3327E-06	2.3327E-06	2.2045E-06	1.9330E-06	1.7991E-06
13	1.3846E-06	1.5314E-06	1.6275E-06	1.7221E-06	1.8578E-06	1.9750E-06	2.0153E-06	1.9750E-06	1.8578E-06	1.7221E-06
14	9.8368E-07	1.1739E-06	1.3128E-06	1.3814E-06	1.4790E-06	1.5911E-06	1.6125E-06	1.6125E-06	1.5911E-06	1.4790E-06
15	6.1410E-07	7.5584E-07	9.1489E-07	9.9668E-07	1.0221E-06	1.1389E-06	1.1807E-06	1.1401E-06	1.1807E-06	1.1389E-06
16	3.5525E-07	4.5946E-07	5.5173E-07	6.2558E-07	6.7586E-07	7.2209E-07	7.6120E-07	7.7356E-07	7.7356E-07	7.6120E-07
17	1.6076E-07	2.3186E-07	2.8950E-07	3.3694E-07	3.7394E-07	4.0308E-07	4.2649E-07	4.4105E-07	4.4546E-07	4.4105E-07
18	3.4084E-08	6.0058E-08	8.0050E-08	9.6275E-08	1.0932E-07	1.1959E-07	1.2769E-07	1.3350E-07	1.3643E-07	1.3643E-07
	11	12	13	14	15	16	17	18		
1	1.9646E-06	1.6993E-06	1.3846E-06	9.8368E-07	6.1410E-07	3.5525E-07	1.6076E-07	3.4084E-08		
2	1.9868E-06	1.8034E-06	1.5314E-06	1.1739E-06	7.5584E-07	4.5946E-07	2.3186E-07	6.0058E-08		
3	1.9387E-06	1.7991E-06	1.6275E-06	1.3128E-06	9.1489E-07	5.5173E-07	2.8950E-07	8.0050E-08		
4	2.2953E-06	1.9330E-06	1.7221E-06	1.3814E-06	9.9668E-07	6.2558E-07	3.3694E-07	9.6275E-08		
5	2.5832E-06	2.2045E-06	1.8578E-06	1.4790E-06	1.0221E-06	6.7586E-07	3.7394E-07	1.0932E-07		
6	2.6572E-06	2.3327E-06	1.9750E-06	1.5911E-06	1.1389E-06	7.2209E-07	4.0308E-07	1.1959E-07		
7	2.5832E-06	2.3327E-06	2.0153E-06	1.6125E-06	1.1807E-06	7.6120E-07	4.2649E-07	1.2769E-07		
8	2.2953E-06	2.2045E-06	1.9750E-06	1.6125E-06	1.1401E-06	7.7356E-07	4.4105E-07	1.3350E-07		
9	1.9387E-06	1.9330E-06	1.8578E-06	1.5911E-06	1.1807E-06	7.7356E-07	4.4546E-07	1.3643E-07		
10	1.9868E-06	1.7991E-06	1.7221E-06	1.4790E-06	1.1389E-06	7.6120E-07	4.4105E-07	1.3643E-07		
11	1.9646E-06	1.8034E-06	1.6275E-06	1.3814E-06	1.0221E-06	7.2209E-07	4.2649E-07	1.3350E-07		
12	1.8034E-06	1.6993E-06	1.5314E-06	1.3128E-06	9.9668E-07	6.7586E-07	4.0308E-07	1.2769E-07		
13	1.6275E-06	1.5314E-06	1.3846E-06	1.1739E-06	9.1489E-07	6.2558E-07	3.7394E-07	1.1959E-07		
14	1.3814E-06	1.3128E-06	1.1739E-06	9.8368E-07	7.5584E-07	5.5173E-07	3.3694E-07	1.0932E-07		
15	1.0221E-06	9.9668E-07	9.1489E-07	7.5584E-07	6.1410E-07	4.5946E-07	2.8950E-07	9.6275E-08		
16	7.2209E-07	6.7586E-07	6.2558E-07	5.5173E-07	4.5946E-07	3.5525E-07	2.3186E-07	8.0050E-08		
17	4.2649E-07	4.0308E-07	3.7394E-07	3.3694E-07	2.8950E-07	2.3186E-07	1.6076E-07	6.0058E-08		
18	1.3350E-07	1.2769E-07	1.1959E-07	1.0932E-07	9.6275E-08	8.0050E-08	6.0058E-08	3.4084E-08		

2 FLUX GROUP 2 PLANE HZ = 10.00000 CM

	1	2	3	4	5	6	7	8	9	10
1	2.2526E-05	2.2269E-05	2.1501E-05	2.0273E-05	1.8788E-05	1.7311E-05	1.5837E-05	1.4110E-05	1.2041E-05	1.0090E-05
2	2.2269E-05	2.2269E-05	2.1750E-05	2.0699E-05	1.9184E-05	1.7600E-05	1.6265E-05	1.4843E-05	1.2937E-05	1.0561E-05
3	2.1501E-05	2.1750E-05	2.1501E-05	2.0699E-05	1.9209E-05	1.6940E-05	1.5546E-05	1.4985E-05	1.3611E-05	1.1322E-05
4	2.0273E-05	2.0699E-05	2.0699E-05	2.0273E-05	1.9184E-05	1.6940E-05	1.4419E-05	1.4314E-05	1.3920E-05	1.2429E-05
5	1.8788E-05	1.9184E-05	1.9209E-05	1.9184E-05	1.8788E-05	1.7600E-05	1.5546E-05	1.4314E-05	1.3943E-05	1.2919E-05
6	1.7311E-05	1.7600E-05	1.6940E-05	1.6940E-05	1.7600E-05	1.7311E-05	1.6265E-05	1.4985E-05	1.3920E-05	1.2919E-05
7	1.5837E-05	1.6265E-05	1.5546E-05	1.4419E-05	1.5546E-05	1.6265E-05	1.5837E-05	1.4843E-05	1.3611E-05	1.2429E-05
8	1.4110E-05	1.4843E-05	1.4985E-05	1.4314E-05	1.4314E-05	1.4985E-05	1.4843E-05	1.4110E-05	1.2937E-05	1.1322E-05
9	1.2041E-05	1.2937E-05	1.3611E-05	1.3920E-05	1.3943E-05	1.3920E-05	1.3611E-05	1.2937E-05	1.2041E-05	1.0561E-05
10	1.0090E-05	1.0561E-05	1.1322E-05	1.2429E-05	1.2919E-05	1.2919E-05	1.2429E-05	1.1322E-05	1.0561E-05	1.0090E-05
11	8.6838E-06	8.8989E-06	8.8862E-06	1.0273E-05	1.1398E-05	1.1710E-05	1.1398E-05	1.0273E-05	8.8862E-06	8.8989E-06
12	7.5025E-06	7.9753E-06	8.0686E-06	8.6662E-06	9.7458E-06	1.0288E-05	1.0288E-05	9.7458E-06	8.6662E-06	8.0686E-06
13	6.1754E-06	6.7868E-06	7.2215E-06	7.6620E-06	8.2415E-06	8.7480E-06	8.9360E-06	8.2415E-06	7.6620E-06	7.2215E-06
14	4.6930E-06	5.4005E-06	5.8941E-06	6.3406E-06	6.7862E-06	7.1424E-06	7.3951E-06	7.3951E-06	7.1424E-06	6.7862E-06
15	3.0968E-06	3.7628E-06	4.3864E-06	4.7791E-06	5.0498E-06	5.4584E-06	5.6600E-06	5.6321E-06	5.6600E-06	5.4584E-06
16	1.8113E-06	2.3355E-06	2.7856E-06	3.1452E-06	3.4100E-06	3.6423E-06	3.8272E-06	3.9028E-06	3.9028E-06	3.8272E-06
17	8.2102E-07	1.1836E-06	1.4759E-06	1.7153E-06	1.9036E-06	2.0529E-06	2.1712E-06	2.2455E-06	2.2690E-06	2.2455E-06
18	1.7389E-07	3.0647E-07	4.0830E-07	4.9067E-07	5.5696E-07	6.0937E-07	6.5068E-07	6.8024E-07	6.9531E-07	6.9531E-07
	11	12	13	14	15	16	17	18		
1	8.6838E-06	7.5025E-06	6.1754E-06	4.6930E-06	3.0968E-06	1.8113E-06	8.2102E-07	1.7389E-07		
2	8.8989E-06	7.9753E-06	6.7868E-06	5.4005E-06	3.7628E-06	2.3355E-06	1.1836E-06	3.0647E-07		
3	8.8862E-06	8.0686E-06	7.2215E-06	5.8941E-06	4.3864E-06	2.7856E-06	1.4759E-06	4.0830E-07		
4	1.0273E-05	8.6662E-06	7.6620E-06	6.3406E-06	4.7791E-06	3.1452E-06	1.7153E-06	4.9067E-07		
5	1.1398E-05	9.7458E-06	8.2415E-06	6.7862E-06	5.0498E-06	3.4100E-06	1.9036E-06	5.5696E-07		
6	1.1710E-05	1.0288E-05	8.7480E-06	7.1424E-06	5.4584E-06	3.6423E-06	2.0529E-06	6.0937E-07		
7	1.1398E-05	1.0288E-05	8.9360E-06	7.3951E-06	5.6600E-06	3.8272E-06	2.1712E-06	6.5068E-07		
8	1.0273E-05	9.7458E-06	8.7480E-06	7.3951E-06	5.6321E-06	3.9028E-06	2.2455E-06	6.8024E-07		
9	8.8862E-06	8.6662E-06	8.2415E-06	7.1424E-06	5.6600E-06	3.9028E-06	2.2690E-06	6.9531E-07		
10	8.8989E-06	8.0686E-06	7.6620E-06	6.7862E-06	5.4584E-06	3.8272E-06	2.2455E-06	6.9531E-07		
11	8.6838E-06	7.9753E-06	7.2215E-06	6.3406E-06	5.0498E-06	3.6423E-06	2.1712E-06	6.8024E-07		
12	7.9753E-06	7.5025E-06	6.7868E-06	5.8941E-06	4.7791E-06	3.4100E-06	2.0529E-06	6.5068E-07		
13	7.2215E-06	6.7868E-06	6.1754E-06	5.4005E-06	4.3864E-06	3.1452E-06	1.9036E-06	6.0937E-07		
14	6.3406E-06	5.8941E-06	5.4005E-06	4.6930E-06	3.7628E-06	2.7856E-06	1.7153E-06	5.5696E-07		
15	5.0498E-06	4.7791E-06	4.3864E-06	3.7628E-06	3.0968E-06	2.3355E-06	1.4759E-06	4.9067E-07		
16	3.6423E-06	3.4100E-06	3.1452E-06	2.7856E-06	2.3355E-06	1.8113E-06	1.1836E-06	4.0830E-07		
17	2.1712E-06	1.9036E-06	1.9036E-06	1.7153E-06	1.4759E-06	1.1836E-06	8.2102E-07	3.0647E-07		
18	6.8024E-07	6.5068E-07	6.0937E-07	5.5696E-07	4.9067E-07	4.0830E-07	3.0647E-07	1.7389E-07		

2 FLUX GROUP 3 PLANE HZ = 20.00000 CM

	1	2	3	4	5	6	7	8	9	10
1	4.6879E-05	4.6376E-05	4.4871E-05	4.2450E-05	3.9481E-05	3.6453E-05	3.3339E-05	2.9658E-05	2.5280E-05	2.1174E-05
2	4.6376E-05	4.6376E-05	4.5360E-05	4.3297E-05	4.0292E-05	3.7092E-05	3.4302E-05	3.1251E-05	2.7190E-05	2.2177E-05
3	4.4871E-05	4.5360E-05	4.4871E-05	4.3297E-05	4.0351E-05	3.5783E-05	3.2925E-05	3.1668E-05	2.8676E-05	2.3810E-05
4	4.2450E-05	4.3297E-05	4.3297E-05	4.2450E-05	4.0292E-05	3.5783E-05	3.0638E-05	3.0384E-05	2.9419E-05	2.6184E-05
5	3.9481E-05	4.0292E-05	4.0351E-05	4.0292E-05	3.9481E-05	3.7092E-05	3.2925E-05	3.0384E-05	2.9516E-05	2.7256E-05
6	3.6453E-05	3.7092E-05	3.5783E-05	3.5783E-05	3.7092E-05	3.6453E-05	3.4302E-05	3.1668E-05	2.9419E-05	2.7256E-05
7	3.3339E-05	3.4302E-05	3.2925E-05	3.0638E-05	3.2925E-05	3.4302E-05	3.3339E-05	3.1251E-05	2.8676E-05	2.6184E-05
8	2.9658E-05	3.1251E-05	3.1668E-05	3.0384E-05	3.0384E-05	3.1668E-05	3.1251E-05	2.9658E-05	2.7190E-05	2.3810E-05
9	2.5280E-05	2.7190E-05	2.8676E-05	2.9419E-05	2.9516E-05	2.9419E-05	2.8676E-05	2.7190E-05	2.5280E-05	2.2177E-05
10	2.1174E-05	2.2177E-05	2.3810E-05	2.6184E-05	2.7256E-05	2.7256E-05	2.6184E-05	2.3810E-05	2.2177E-05	2.1174E-05
11	1.8221E-05	1.8680E-05	1.8673E-05	2.1609E-05	2.3997E-05	2.4665E-05	2.3997E-05	2.1609E-05	1.8673E-05	1.8680E-05
12	1.5742E-05	1.6736E-05	1.6942E-05	1.8212E-05	2.0494E-05	2.1646E-05	2.1646E-05	2.0494E-05	1.8212E-05	1.6942E-05
13	1.2959E-05	1.4241E-05	1.5158E-05	1.6093E-05	1.7320E-05	1.8395E-05	1.8797E-05	1.8395E-05	1.7320E-05	1.6093E-05
14	9.8590E-06	1.1340E-05	1.2371E-05	1.3325E-05	1.4270E-05	1.5016E-05	1.5565E-05	1.5565E-05	1.5016E-05	1.4270E-05
15	6.4972E-06	7.9039E-06	9.2139E-06	1.0046E-05	1.0630E-05	1.1487E-05	1.1916E-05	1.1870E-05	1.1916E-05	1.1487E-05
16	3.7860E-06	4.8916E-06	5.8437E-06	6.6052E-06	7.1683E-06	7.6613E-06	8.0530E-06	8.2154E-06	8.2154E-06	8.0530E-06
17	1.7108E-06	2.4707E-06	3.0873E-06	3.5943E-06	3.9936E-06	4.3102E-06	4.5612E-06	4.7189E-06	4.7689E-06	4.7189E-06
18	3.6230E-07	6.3902E-07	8.5304E-07	1.0272E-06	1.1678E-06	1.2790E-06	1.3666E-06	1.4293E-06	1.4613E-06	1.4613E-06
	11	12	13	14	15	16	17	18		
1	1.8221E-05	1.5742E-05	1.2959E-05	9.8590E-06	6.4972E-06	3.7860E-06	1.7108E-06	3.6230E-07		
2	1.8680E-05	1.6736E-05	1.4241E-05	1.1340E-05	7.9039E-06	4.8916E-06	2.4707E-06	6.3902E-07		
3	1.8673E-05	1.6942E-05	1.5158E-05	1.2371E-05	9.2139E-06	5.8437E-06	3.0873E-06	8.5304E-07		
4	2.1609E-05	1.8212E-05	1.6093E-05	1.3325E-05	1.0046E-05	6.6052E-06	3.5943E-06	1.0272E-06		
5	2.3997E-05	2.0494E-05	1.7320E-05	1.4270E-05	1.0630E-05	7.1683E-06	3.9936E-06	1.1678E-06		
6	2.4665E-05	2.1646E-05	1.8395E-05	1.5016E-05	1.1487E-05	7.6613E-06	4.3102E-06	1.2790E-06		
7	2.3997E-05	2.1646E-05	1.8797E-05	1.5565E-05	1.1916E-05	8.0530E-06	4.5612E-06	1.3666E-06		
8	2.1609E-05	2.0494E-05	1.8395E-05	1.5565E-05	1.1870E-05	8.2154E-06	4.7189E-06	1.4293E-06		
9	1.8673E-05	1.8212E-05	1.7320E-05	1.5016E-05	1.1916E-05	8.2154E-06	4.7689E-06	1.4613E-06		
10	1.8680E-05	1.6942E-05	1.6093E-05	1.4270E-05	1.1487E-05	8.0530E-06	4.7189E-06	1.4613E-06		
11	1.8221E-05	1.6736E-05	1.5158E-05	1.3325E-05	1.0630E-05	7.6613E-06	4.5612E-06	1.4293E-06		
12	1.6736E-05	1.5742E-05	1.4241E-05	1.2371E-05	1.0046E-05	7.1683E-06	4.3102E-06	1.3666E-06		
13	1.5158E-05	1.4241E-05	1.2959E-05	1.1340E-05	9.2139E-06	6.6052E-06	3.9936E-06	1.2790E-06		
14	1.3325E-05	1.2371E-05	1.1340E-05	9.8590E-06	7.9039E-06	5.8437E-06	3.5943E-06	1.1678E-06		
15	1.0630E-05	1.0046E-05	9.2139E-06	7.9039E-06	6.4972E-06	4.8916E-06	3.0873E-06	1.0272E-06		
16	7.6613E-06	7.1683E-06	6.6052E-06	5.8437E-06	4.8916E-06	3.7860E-06	2.4707E-06	8.5304E-07		
17	4.5612E-06	4.3102E-06	3.9936E-06	3.5943E-06	3.0873E-06	2.4707E-06	1.7108E-06	6.3902E-07		
18	1.4293E-06	1.3666E-06	1.2790E-06	1.1678E-06	1.0272E-06	8.5304E-07	6.3902E-07	3.6230E-07		

2 FLUX GROUP 4 PLANE HZ = 30.0000 CM

	1	2	3	4	5	6	7	8	9	10
1	8.4092E-05	8.3270E-05	8.0815E-05	7.6856E-05	7.1900E-05	6.6586E-05	6.0818E-05	5.3932E-05	4.5861E-05	3.8387E-05
2	8.3270E-05	8.3270E-05	8.1615E-05	7.8271E-05	7.3370E-05	6.7970E-05	6.2866E-05	5.7026E-05	4.9418E-05	4.0219E-05
3	8.0815E-05	8.1615E-05	8.0815E-05	7.8271E-05	7.3556E-05	6.6091E-05	6.1151E-05	5.8310E-05	5.2373E-05	4.3290E-05
4	7.6856E-05	7.8271E-05	7.8271E-05	7.6856E-05	7.3370E-05	6.6091E-05	5.7612E-05	5.6719E-05	5.4127E-05	4.7799E-05
5	7.1900E-05	7.3370E-05	7.3556E-05	7.3370E-05	7.1900E-05	6.7970E-05	6.1151E-05	5.6719E-05	5.4528E-05	4.9927E-05
6	6.6586E-05	6.7970E-05	6.6091E-05	6.6091E-05	6.7970E-05	6.6586E-05	6.2866E-05	5.8310E-05	5.4127E-05	4.9927E-05
7	6.0818E-05	6.2866E-05	6.1151E-05	5.7612E-05	6.1151E-05	6.2866E-05	6.0818E-05	5.7026E-05	5.2373E-05	4.7799E-05
8	5.3932E-05	5.7026E-05	5.8310E-05	5.6719E-05	5.6719E-05	5.8310E-05	5.7026E-05	5.3932E-05	4.9418E-05	4.3290E-05
9	4.5861E-05	4.9418E-05	5.2373E-05	5.4127E-05	5.4528E-05	5.4127E-05	5.2373E-05	4.9418E-05	4.5861E-05	4.0219E-05
10	3.8387E-05	4.0219E-05	4.3290E-05	4.7799E-05	4.9927E-05	4.9927E-05	4.7799E-05	4.3290E-05	4.0219E-05	3.8387E-05
11	3.3059E-05	3.3865E-05	3.3855E-05	3.9305E-05	4.3769E-05	4.5041E-05	4.3769E-05	3.9305E-05	3.3855E-05	3.3865E-05
12	2.8584E-05	3.0376E-05	3.0731E-05	3.3074E-05	3.7305E-05	3.9460E-05	3.9460E-05	3.7305E-05	3.3074E-05	3.0731E-05
13	2.3510E-05	2.5848E-05	2.7510E-05	2.9219E-05	3.1484E-05	3.3483E-05	3.4235E-05	3.3483E-05	3.1484E-05	2.9219E-05
14	1.7832E-05	2.0548E-05	2.2418E-05	2.4173E-05	2.5907E-05	2.7267E-05	2.8305E-05	2.8305E-05	2.7267E-05	2.5907E-05
15	1.1638E-05	1.4227E-05	1.6638E-05	1.8156E-05	1.9222E-05	2.0795E-05	2.1584E-05	2.1499E-05	2.1584E-05	2.0795E-05
16	6.7105E-06	8.7136E-06	1.0457E-05	1.1851E-05	1.2871E-05	1.3768E-05	1.4485E-05	1.4777E-05	1.4777E-05	1.4485E-05
17	3.0108E-06	4.3637E-06	5.4776E-06	6.3999E-06	7.1239E-06	7.6957E-06	8.1505E-06	8.4357E-06	8.5252E-06	8.4357E-06
18	6.3731E-07	1.1258E-06	1.5089E-06	1.8243E-06	2.0795E-06	2.2806E-06	2.4390E-06	2.5525E-06	2.6101E-06	2.6101E-06
	11	12	13	14	15	16	17	18		
1	3.3059E-05	2.8584E-05	2.3510E-05	1.7832E-05	1.1638E-05	6.7105E-06	3.0108E-06	6.3731E-07		
2	3.3865E-05	3.0376E-05	2.5848E-05	2.0548E-05	1.4227E-05	8.7136E-06	4.3637E-06	1.1258E-06		
3	3.3855E-05	3.0731E-05	2.7510E-05	2.2418E-05	1.6638E-05	1.0457E-05	5.4776E-06	1.5089E-06		
4	3.9305E-05	3.3074E-05	2.9219E-05	2.4173E-05	1.8156E-05	1.1851E-05	6.3999E-06	1.8243E-06		
5	4.3769E-05	3.7305E-05	3.1484E-05	2.5907E-05	1.9222E-05	1.2871E-05	7.1239E-06	2.0795E-06		
6	4.5041E-05	3.9460E-05	3.3483E-05	2.7267E-05	2.0795E-05	1.3768E-05	7.6957E-06	2.2806E-06		
7	4.3769E-05	3.9460E-05	3.4235E-05	2.8305E-05	2.1584E-05	1.4485E-05	8.1505E-06	2.4390E-06		
8	3.9305E-05	3.7305E-05	3.3483E-05	2.8305E-05	2.1499E-05	1.4777E-05	8.4357E-06	2.5525E-06		
9	3.3855E-05	3.3074E-05	3.1484E-05	2.7267E-05	2.1584E-05	1.4777E-05	8.5252E-06	2.6101E-06		
10	3.3865E-05	3.0731E-05	2.9219E-05	2.5907E-05	2.0795E-05	1.4485E-05	8.4357E-06	2.6101E-06		
11	3.3059E-05	3.0376E-05	2.7510E-05	2.4173E-05	1.9222E-05	1.3768E-05	8.1505E-06	2.5525E-06		
12	3.0376E-05	2.8584E-05	2.5848E-05	2.2418E-05	1.8156E-05	1.2871E-05	7.6957E-06	2.4390E-06		
13	2.7510E-05	2.5848E-05	2.3510E-05	2.0548E-05	1.6638E-05	1.1851E-05	7.1239E-06	2.2806E-06		
14	2.4173E-05	2.2418E-05	2.0548E-05	1.7832E-05	1.4227E-05	1.0457E-05	6.3999E-06	2.0795E-06		
15	1.9222E-05	1.8156E-05	1.6638E-05	1.4227E-05	1.1638E-05	8.7136E-06	5.4776E-06	1.8243E-06		
16	1.3768E-05	1.2871E-05	1.1851E-05	1.0457E-05	8.7136E-06	6.7105E-06	4.3637E-06	1.5089E-06		
17	8.1505E-06	7.6957E-06	7.1239E-06	6.3999E-06	5.4776E-06	4.3637E-06	3.0108E-06	1.1258E-06		
18	2.5525E-06	2.4390E-06	2.2806E-06	2.0795E-06	1.8243E-06	1.5089E-06	1.1258E-06	6.3731E-07		

2 FLUX GROUP 5 PLANE HZ = 40.0000 CM

	1	2	3	4	5	6	7	8	9	10
1	1.3867E-04	1.3744E-04	1.3380E-04	1.2801E-04	1.2064E-04	1.1213E-04	1.0218E-04	9.0231E-05	7.6567E-05	6.4106E-05
2	1.3744E-04	1.3744E-04	1.3499E-04	1.3019E-04	1.2338E-04	1.1549E-04	1.0664E-04	9.5889E-05	8.2653E-05	6.7132E-05
3	1.3380E-04	1.3499E-04	1.3380E-04	1.3019E-04	1.2412E-04	1.1602E-04	1.0889E-04	9.9918E-05	8.8204E-05	7.2474E-05
4	1.2801E-04	1.3019E-04	1.3019E-04	1.2801E-04	1.2338E-04	1.1602E-04	1.0926E-04	1.0243E-04	9.2447E-05	8.0433E-05
5	1.2064E-04	1.2338E-04	1.2412E-04	1.2338E-04	1.2064E-04	1.1549E-04	1.0889E-04	1.0243E-04	9.3969E-05	8.4458E-05
6	1.1213E-04	1.1549E-04	1.1602E-04	1.1602E-04	1.1549E-04	1.1213E-04	1.0664E-04	9.9918E-05	9.2447E-05	8.4458E-05
7	1.0218E-04	1.0664E-04	1.0889E-04	1.0926E-04	1.0889E-04	1.0664E-04	1.0218E-04	9.5889E-05	8.8204E-05	8.0433E-05
8	9.0231E-05	9.5889E-05	9.9918E-05	1.0243E-04	1.0243E-04	9.9918E-05	9.5889E-05	9.0231E-05	8.2653E-05	7.2474E-05
9	7.6567E-05	8.2653E-05	8.8204E-05	9.2447E-05	9.3969E-05	9.2447E-05	8.8204E-05	8.2653E-05	7.6567E-05	6.7132E-05
10	6.4106E-05	6.7132E-05	7.2474E-05	8.0433E-05	8.4458E-05	8.4458E-05	8.0433E-05	7.2474E-05	6.7132E-05	6.4106E-05
11	5.5351E-05	5.6509E-05	5.6249E-05	6.5845E-05	7.3624E-05	7.5898E-05	7.3624E-05	6.5845E-05	5.6249E-05	5.6509E-05
12	4.8009E-05	5.0918E-05	5.1302E-05	5.5300E-05	6.2666E-05	6.6431E-05	6.6431E-05	6.2666E-05	5.5300E-05	5.1302E-05
13	3.9504E-05	4.3428E-05	4.6152E-05	4.8997E-05	5.2875E-05	5.6336E-05	5.7645E-05	5.6336E-05	5.2875E-05	4.8997E-05
14	2.9819E-05	3.4499E-05	3.7596E-05	4.0550E-05	4.3504E-05	4.5781E-05	4.7605E-05	4.7605E-05	4.5781E-05	4.3504E-05
15	1.9041E-05	2.3485E-05	2.7751E-05	3.0267E-05	3.1897E-05	3.4726E-05	3.6048E-05	3.5725E-05	3.6048E-05	3.4726E-05
16	1.0797E-05	1.4124E-05	1.7081E-05	1.9431E-05	2.1089E-05	2.2577E-05	2.3793E-05	2.4246E-05	2.4246E-05	2.3793E-05
17	4.7962E-06	6.9849E-06	8.8223E-06	1.0357E-05	1.1548E-05	1.2481E-05	1.3230E-05	1.3696E-05	1.3837E-05	1.3696E-05
18	1.0143E-06	1.7956E-06	2.4192E-06	2.9400E-06	3.3616E-06	3.6909E-06	3.9499E-06	4.1357E-06	4.2291E-06	4.2291E-06
	11	12	13	14	15	16	17	18		
1	5.5351E-05	4.8009E-05	3.9504E-05	2.9819E-05	1.9041E-05	1.0797E-05	4.7962E-06	1.0143E-06		
2	5.6509E-05	5.0918E-05	4.3428E-05	3.4499E-05	2.3485E-05	1.4124E-05	6.9849E-06	1.7956E-06		
3	5.6249E-05	5.1302E-05	4.6152E-05	3.7596E-05	2.7751E-05	1.7081E-05	8.8223E-06	2.4192E-06		
4	6.5845E-05	5.5300E-05	4.8997E-05	4.0550E-05	3.0267E-05	1.9431E-05	1.0357E-05	2.9400E-06		
5	7.3624E-05	6.2666E-05	5.2875E-05	4.3504E-05	3.1897E-05	2.1089E-05	1.1548E-05	3.3616E-06		
6	7.5898E-05	6.6431E-05	5.6336E-05	4.5781E-05	3.4726E-05	2.2577E-05	1.2481E-05	3.6909E-06		
7	7.3624E-05	6.6431E-05	5.7645E-05	4.7605E-05	3.6048E-05	2.3793E-05	1.3230E-05	3.9499E-06		
8	6.5845E-05	6.2666E-05	5.6336E-05	4.7605E-05	3.5725E-05	2.4246E-05	1.3696E-05	4.1357E-06		
9	5.6249E-05	5.5300E-05	5.2875E-05	4.5781E-05	3.6048E-05	2.4246E-05	1.3837E-05	4.2291E-06		
10	5.6509E-05	5.1302E-05	4.8997E-05	4.3504E-05	3.4726E-05	2.3793E-05	1.3696E-05	4.2291E-06		
11	5.5351E-05	5.0918E-05	4.6152E-05	4.0550E-05	3.1897E-05	2.2577E-05	1.3230E-05	4.1357E-06		
12	5.0918E-05	4.8009E-05	4.3428E-05	3.7596E-05	3.0267E-05	2.1089E-05	1.2481E-05	3.9499E-06		
13	4.6152E-05	4.3428E-05	3.9504E-05	3.4499E-05	2.7751E-05	1.9431E-05	1.1548E-05	3.6909E-06		
14	4.0550E-05	3.7596E-05	3.4499E-05	2.9819E-05	2.3485E-05	1.7081E-05	1.0357E-05	3.3616E-06		
15	3.1897E-05	3.0267E-05	2.7751E-05	2.3485E-05	1.9041E-05	1.4124E-05	8.8223E-06	2.9400E-06		
16	2.2577E-05	2.1089E-05	1.9431E-05	1.7081E-05	1.4124E-05	1.0797E-05	6.9849E-06	2.4192E-06		
17	1.3230E-05	1.2481E-05	1.1548E-05	1.0357E-05	8.8223E-06	6.9849E-06	4.7962E-06	1.7956E-06		
18	4.1357E-06	3.9499E-06	3.6909E-06	3.3616E-06	2.9400E-06	2.4192E-06	1.7956E-06	1.0143E-06		

2 FLUX GROUP 6 PLANE HZ = 49.50000 CM

	1	2	3	4	5	6	7	8	9	10
1	1.9428E-04	1.9261E-04	1.8767E-04	1.7979E-04	1.6977E-04	1.5817E-04	1.4444E-04	1.2782E-04	1.0882E-04	9.1450E-05
2	1.9261E-04	1.9261E-04	1.8929E-04	1.8273E-04	1.7341E-04	1.6273E-04	1.5070E-04	1.3577E-04	1.1733E-04	9.5812E-05
3	1.8767E-04	1.8929E-04	1.8767E-04	1.8273E-04	1.7433E-04	1.6268E-04	1.5391E-04	1.4166E-04	1.2520E-04	1.0340E-04
4	1.7979E-04	1.8273E-04	1.8273E-04	1.7979E-04	1.7341E-04	1.6268E-04	1.5429E-04	1.4592E-04	1.3140E-04	1.1445E-04
5	1.6977E-04	1.7341E-04	1.7433E-04	1.7341E-04	1.6977E-04	1.6273E-04	1.5391E-04	1.4592E-04	1.3370E-04	1.2020E-04
6	1.5817E-04	1.6273E-04	1.6268E-04	1.6268E-04	1.6273E-04	1.5817E-04	1.5070E-04	1.4166E-04	1.3140E-04	1.2020E-04
7	1.4444E-04	1.5070E-04	1.5391E-04	1.5429E-04	1.5391E-04	1.5070E-04	1.4444E-04	1.3577E-04	1.2520E-04	1.1445E-04
8	1.2782E-04	1.3577E-04	1.4166E-04	1.4592E-04	1.4592E-04	1.4166E-04	1.3577E-04	1.2782E-04	1.1733E-04	1.0340E-04
9	1.0882E-04	1.1733E-04	1.2520E-04	1.3140E-04	1.3370E-04	1.3140E-04	1.2520E-04	1.1733E-04	1.0882E-04	9.5812E-05
10	9.1450E-05	9.5812E-05	1.0340E-04	1.1445E-04	1.2020E-04	1.2020E-04	1.1445E-04	1.0340E-04	9.5812E-05	9.1450E-05
11	7.9176E-05	8.0823E-05	8.0415E-05	9.4120E-05	1.0498E-04	1.0822E-04	1.0498E-04	9.4120E-05	8.0415E-05	8.0823E-05
12	6.8824E-05	7.2924E-05	7.3442E-05	7.9157E-05	8.9576E-05	9.4925E-05	9.4925E-05	8.9576E-05	7.9157E-05	7.3442E-05
13	5.6772E-05	6.2329E-05	6.6183E-05	7.0238E-05	7.5745E-05	8.0678E-05	8.2565E-05	8.0678E-05	7.5745E-05	7.0238E-05
14	4.3079E-05	4.9761E-05	5.4031E-05	5.8377E-05	6.2630E-05	6.5711E-05	6.8498E-05	6.8498E-05	6.5711E-05	6.2630E-05
15	2.7265E-05	3.3763E-05	4.0066E-05	4.3651E-05	4.5906E-05	5.0086E-05	5.1966E-05	5.1394E-05	5.1966E-05	5.0086E-05
16	1.5324E-05	2.0128E-05	2.4438E-05	2.7849E-05	3.0205E-05	3.2337E-05	3.4095E-05	3.4714E-05	3.4714E-05	3.4095E-05
17	6.7678E-06	9.8842E-06	1.2529E-05	1.4745E-05	1.6454E-05	1.7781E-05	1.8851E-05	1.9512E-05	1.9708E-05	1.9512E-05
18	1.4306E-06	2.5357E-06	3.4269E-06	4.1769E-06	4.7835E-06	5.2540E-06	5.6230E-06	5.8875E-06	6.0192E-06	6.0192E-06
	11	12	13	14	15	16	17	18		
1	7.9176E-05	6.8824E-05	5.6772E-05	4.3079E-05	2.7265E-05	1.5324E-05	6.7678E-06	1.4306E-06		
2	8.0823E-05	7.2924E-05	6.2329E-05	4.9761E-05	3.3763E-05	2.0128E-05	9.8842E-06	2.5357E-06		
3	8.0415E-05	7.3442E-05	6.6183E-05	5.4031E-05	4.0066E-05	2.4438E-05	1.2529E-05	3.4269E-06		
4	9.4120E-05	7.9157E-05	7.0238E-05	5.8377E-05	4.3651E-05	2.7849E-05	1.4745E-05	4.1769E-06		
5	1.0498E-04	8.9576E-05	7.5745E-05	6.2630E-05	4.5906E-05	3.0205E-05	1.6454E-05	4.7835E-06		
6	1.0822E-04	9.4925E-05	8.0678E-05	6.5711E-05	5.0086E-05	3.2337E-05	1.7781E-05	5.2540E-06		
7	1.0498E-04	9.4925E-05	8.2565E-05	6.8498E-05	5.1966E-05	3.4095E-05	1.8851E-05	5.6230E-06		
8	9.4120E-05	8.9576E-05	8.0678E-05	6.8498E-05	5.1394E-05	3.4714E-05	1.9512E-05	5.8875E-06		
9	8.0415E-05	7.9157E-05	7.5745E-05	6.5711E-05	5.1966E-05	3.4714E-05	1.9708E-05	6.0192E-06		
10	8.0823E-05	7.3442E-05	7.0238E-05	6.2630E-05	5.0086E-05	3.4095E-05	1.9512E-05	6.0192E-06		
11	7.9176E-05	7.2924E-05	6.6183E-05	5.8377E-05	4.5906E-05	3.2337E-05	1.8851E-05	5.8875E-06		
12	7.2924E-05	6.8824E-05	6.2329E-05	5.4031E-05	4.3651E-05	3.0205E-05	1.7781E-05	5.6230E-06		
13	6.6183E-05	6.2329E-05	5.6772E-05	4.9761E-05	4.0066E-05	2.7849E-05	1.6454E-05	5.2540E-06		
14	5.8377E-05	5.4031E-05	4.9761E-05	4.3079E-05	3.3763E-05	2.4438E-05	1.4745E-05	4.7835E-06		
15	4.5906E-05	4.3651E-05	4.0066E-05	3.3763E-05	2.7265E-05	2.0128E-05	1.2529E-05	4.1769E-06		
16	3.2337E-05	3.0205E-05	2.7849E-05	2.4438E-05	2.0128E-05	1.5324E-05	9.8842E-06	3.4269E-06		
17	1.8851E-05	1.7781E-05	1.6454E-05	1.4745E-05	1.2529E-05	9.8842E-06	6.7678E-06	2.5357E-06		
18	5.8875E-06	5.6230E-06	5.2540E-06	4.7835E-06	4.1769E-06	3.4269E-06	2.5357E-06	1.4306E-06		

2 FLUX GROUP 7 PLANE HZ = 59.00000 CM

	1	2	3	4	5	6	7	8	9	10
1	2.4564E-04	2.4358E-04	2.3746E-04	2.2772E-04	2.1535E-04	2.0107E-04	1.8413E-04	1.6350E-04	1.3976E-04	1.1798E-04
2	2.4358E-04	2.4358E-04	2.3946E-04	2.3134E-04	2.1978E-04	2.0660E-04	1.9183E-04	1.7338E-04	1.5039E-04	1.2336E-04
3	2.3746E-04	2.3946E-04	2.3746E-04	2.3134E-04	2.2086E-04	2.0623E-04	1.9553E-04	1.8066E-04	1.6024E-04	1.3286E-04
4	2.2772E-04	2.3134E-04	2.3134E-04	2.2772E-04	2.1978E-04	2.0623E-04	1.9583E-04	1.8580E-04	1.6799E-04	1.4685E-04
5	2.1535E-04	2.1978E-04	2.2086E-04	2.1978E-04	2.1535E-04	2.0660E-04	1.9553E-04	1.8580E-04	1.7087E-04	1.5411E-04
6	2.0107E-04	2.0660E-04	2.0623E-04	2.0623E-04	2.0660E-04	2.0107E-04	1.9183E-04	1.8066E-04	1.6799E-04	1.5411E-04
7	1.8413E-04	1.9183E-04	1.9553E-04	1.9583E-04	1.9553E-04	1.9183E-04	1.8413E-04	1.7338E-04	1.6024E-04	1.4685E-04
8	1.6350E-04	1.7338E-04	1.8066E-04	1.8580E-04	1.8580E-04	1.8066E-04	1.7338E-04	1.6350E-04	1.5039E-04	1.3286E-04
9	1.3976E-04	1.5039E-04	1.6024E-04	1.6799E-04	1.7087E-04	1.6799E-04	1.6024E-04	1.5039E-04	1.3976E-04	1.2336E-04
10	1.1798E-04	1.2336E-04	1.3286E-04	1.4685E-04	1.5411E-04	1.5411E-04	1.4685E-04	1.3286E-04	1.2336E-04	1.1798E-04
11	1.0250E-04	1.0449E-04	1.0378E-04	1.2123E-04	1.3504E-04	1.3914E-04	1.3504E-04	1.2123E-04	1.0378E-04	1.0449E-04
12	8.9258E-05	9.4507E-05	9.5086E-05	1.0231E-04	1.1557E-04	1.2236E-04	1.2236E-04	1.1557E-04	1.0231E-04	9.5086E-05
13	7.3689E-05	8.0868E-05	8.5812E-05	9.0967E-05	9.7950E-05	1.0421E-04	1.0661E-04	1.0421E-04	9.7950E-05	9.0967E-05
14	5.5956E-05	6.4614E-05	7.0106E-05	7.5718E-05	8.1140E-05	8.5008E-05	8.8589E-05	8.8589E-05	8.5008E-05	8.1140E-05
15	3.5365E-05	4.3832E-05	5.2018E-05	5.6650E-05	5.9541E-05	6.4887E-05	6.7276E-05	6.6531E-05	6.7276E-05	6.4887E-05
16	1.9827E-05	2.6074E-05	3.1686E-05	3.6115E-05	3.9152E-05	4.1885E-05	4.4132E-05	4.4914E-05	4.4914E-05	4.4132E-05
17	8.7396E-06	1.2776E-05	1.6213E-05	1.9094E-05	2.1305E-05	2.3012E-05	2.4382E-05	2.5225E-05	2.5225E-05	2.4382E-05
18	1.8473E-06	3.2756E-06	4.4314E-06	5.4060E-06	6.1932E-06	6.8006E-06	7.2744E-06	7.6125E-06	7.7801E-06	7.7801E-06
	11	12	13	14	15	16	17	18		
1	1.0250E-04	8.9258E-05	7.3689E-05	5.5956E-05	3.5365E-05	1.9827E-05	8.7396E-06	1.8473E-06		
2	1.0449E-04	9.4507E-05	8.0868E-05	6.4614E-05	4.3832E-05	2.6074E-05	1.2776E-05	3.2756E-06		
3	1.0378E-04	9.5086E-05	8.5812E-05	7.0106E-05	5.2018E-05	3.1686E-05	1.6213E-05	4.4314E-06		
4	1.2123E-04	1.0231E-04	9.0967E-05	7.5718E-05	5.6650E-05	3.6115E-05	1.9094E-05	5.4060E-06		
5	1.3504E-04	1.1557E-04	9.7950E-05	8.1140E-05	5.9541E-05	3.9152E-05	2.1305E-05	6.1932E-06		
6	1.3914E-04	1.2236E-04	1.0421E-04	8.5008E-05	6.4887E-05	4.1885E-05	2.3012E-05	6.8006E-06		
7	1.3504E-04	1.2236E-04	1.0661E-04	8.8589E-05	6.7276E-05	4.4132E-05	2.4382E-05	7.2744E-06		
8	1.2123E-04	1.1557E-04	1.0421E-04	8.8589E-05	6.6531E-05	4.4914E-05	2.5225E-05	7.6125E-06		
9	1.0378E-04	1.0231E-04	9.7950E-05	8.5008E-05	6.7276E-05	4.4914E-05	2.5472E-05	7.7801E-06		
10	1.0449E-04	9.5086E-05	9.0967E-05	8.1140E-05	6.4887E-05	4.4132E-05	2.5225E-05	7.7801E-06		
11	1.0250E-04	9.4507E-05	8.5812E-05	7.5718E-05	5.9541E-05	4.1885E-05	2.4382E-05	7.6125E-06		
12	9.4507E-05	8.9258E-05	8.0868E-05	7.0106E-05	5.6650E-05	3.9152E-05	2.3012E-05	7.2744E-06		
13	8.5812E-05	8.0868E-05	7.3689E-05	6.4614E-05	5.2018E-05	3.6115E-05	2.1305E-05	6.8006E-06		
14	7.5718E-05	7.0106E-05	6.4614E-05	5.5956E-05	4.3832E-05	3.1686E-05	1.9094E-05	6.1932E-06		
15	5.9541E-05	5.6650E-05	5.2018E-05	4.3832E-05	3.5365E-05	2.6074E-05	1.6213E-05	5.4060E-06		
16	4.1885E-05	3.9152E-05	3.6115E-05	3.1686E-05	2.6074E-05	1.9827E-05	1.2776E-05	4.4314E-06		
17	2.4382E-05	2.3012E-05	2.1305E-05	1.9094E-05	1.6213E-05	1.2776E-05	8.7396E-06	3.2756E-06		
18	7.6125E-06	7.2744E-06	6.8006E-06	6.1932E-06	5.4060E-06	4.4314E-06	3.2756E-06	1.8473E-06		

2 FLUX GROUP 8 PLANE HZ = 68.50000 CM

	1	2	3	4	5	6	7	8	9	10
1	2.8766E-04	2.8530E-04	2.7833E-04	2.6721E-04	2.5314E-04	2.3695E-04	2.1777E-04	1.9429E-04	1.6706E-04	1.4192E-04
2	2.8530E-04	2.8530E-04	2.8061E-04	2.7134E-04	2.5814E-04	2.4316E-04	2.2645E-04	2.0552E-04	1.7922E-04	1.4793E-04
3	2.7833E-04	2.8061E-04	2.7833E-04	2.7134E-04	2.5933E-04	2.4254E-04	2.3042E-04	2.1371E-04	1.9045E-04	1.5879E-04
4	2.6721E-04	2.7134E-04	2.7134E-04	2.6721E-04	2.5814E-04	2.4254E-04	2.3063E-04	2.1937E-04	1.9929E-04	1.7505E-04
5	2.5314E-04	2.5814E-04	2.5933E-04	2.5814E-04	2.5314E-04	2.4316E-04	2.3042E-04	2.1937E-04	2.0256E-04	1.8344E-04
6	2.3695E-04	2.4316E-04	2.4254E-04	2.4254E-04	2.4316E-04	2.3695E-04	2.2645E-04	2.1371E-04	1.9929E-04	1.8344E-04
7	2.1777E-04	2.2645E-04	2.3042E-04	2.3063E-04	2.3042E-04	2.2645E-04	2.1777E-04	2.0552E-04	1.9045E-04	1.7505E-04
8	1.9429E-04	2.0552E-04	2.1371E-04	2.1937E-04	2.1937E-04	2.1371E-04	2.0552E-04	1.9429E-04	1.7922E-04	1.5879E-04
9	1.6706E-04	1.7922E-04	1.9045E-04	1.9929E-04	2.0256E-04	1.9929E-04	1.9045E-04	1.7922E-04	1.6706E-04	1.4793E-04
10	1.4192E-04	1.4793E-04	1.5879E-04	1.7505E-04	1.8344E-04	1.8344E-04	1.7505E-04	1.5879E-04	1.4793E-04	1.4192E-04
11	1.2384E-04	1.2607E-04	1.2488E-04	1.4528E-04	1.6141E-04	1.6616E-04	1.6141E-04	1.4528E-04	1.2488E-04	1.2607E-04
12	1.0797E-04	1.1429E-04	1.1489E-04	1.2322E-04	1.3869E-04	1.4655E-04	1.4655E-04	1.2322E-04	1.1489E-04	1.1429E-04
13	8.9101E-05	9.7802E-05	1.0375E-04	1.0980E-04	1.1788E-04	1.2511E-04	1.2787E-04	1.2511E-04	1.1788E-04	1.0980E-04
14	6.7613E-05	7.8094E-05	8.4717E-05	9.1434E-05	9.7784E-05	1.0222E-04	1.0639E-04	1.0639E-04	1.0222E-04	9.7784E-05
15	4.2681E-05	5.2928E-05	6.2820E-05	6.8387E-05	7.1790E-05	7.8091E-05	8.0858E-05	7.9926E-05	8.0858E-05	7.8091E-05
16	2.3895E-05	3.1444E-05	3.8226E-05	4.3566E-05	4.7193E-05	5.0423E-05	5.3059E-05	5.3957E-05	5.3957E-05	5.3059E-05
17	1.0522E-05	1.5390E-05	1.9539E-05	2.3014E-05	2.5669E-05	2.7701E-05	2.9317E-05	3.0302E-05	3.0589E-05	3.0302E-05
18	2.2240E-06	3.9443E-06	5.3385E-06	6.5147E-06	7.4624E-06	8.1891E-06	8.7510E-06	9.1487E-06	9.3444E-06	9.3444E-06
	11	12	13	14	15	16	17	18		
1	1.2384E-04	1.0797E-04	8.9101E-05	6.7613E-05	4.2681E-05	2.3895E-05	1.0522E-05	2.2240E-06		
2	1.2607E-04	1.1429E-04	9.7802E-05	7.8094E-05	5.2928E-05	3.1444E-05	1.5390E-05	3.9443E-06		
3	1.2488E-04	1.1489E-04	1.0375E-04	8.4717E-05	6.2820E-05	3.8226E-05	1.9539E-05	5.3385E-06		
4	1.4528E-04	1.2322E-04	1.0980E-04	9.1434E-05	6.8387E-05	4.3566E-05	2.3014E-05	6.5147E-06		
5	1.6141E-04	1.3869E-04	1.1788E-04	9.7784E-05	7.1790E-05	4.7193E-05	2.5669E-05	7.4624E-06		
6	1.6616E-04	1.4655E-04	1.2511E-04	1.0222E-04	7.8091E-05	5.0423E-05	2.7701E-05	8.1891E-06		
7	1.6141E-04	1.4655E-04	1.2787E-04	1.0639E-04	8.0858E-05	5.3059E-05	2.9317E-05	8.7510E-06		
8	1.4528E-04	1.3869E-04	1.2511E-04	1.0639E-04	7.9926E-05	5.3957E-05	3.0302E-05	9.1487E-06		
9	1.2488E-04	1.2322E-04	1.1788E-04	1.0222E-04	8.0858E-05	5.3957E-05	3.0589E-05	9.3444E-06		
10	1.2607E-04	1.1489E-04	1.0980E-04	9.7784E-05	7.8091E-05	5.3059E-05	3.0302E-05	9.3444E-06		
11	1.2384E-04	1.1429E-04	1.0375E-04	9.1434E-05	7.1790E-05	5.0423E-05	2.9317E-05	9.1487E-06		
12	1.1429E-04	1.0797E-04	9.7802E-05	8.4717E-05	6.8387E-05	4.7193E-05	2.7701E-05	8.7510E-06		
13	1.0375E-04	9.7802E-05	8.9101E-05	7.8094E-05	6.2820E-05	4.3566E-05	2.5669E-05	8.1891E-06		
14	9.1434E-05	8.4717E-05	7.8094E-05	6.7613E-05	5.2928E-05	3.8226E-05	2.3014E-05	7.4624E-06		
15	7.1790E-05	6.8387E-05	6.2820E-05	5.2928E-05	4.2681E-05	3.1444E-05	1.9539E-05	6.5147E-06		
16	5.0423E-05	4.7193E-05	4.3566E-05	3.8226E-05	3.1444E-05	2.3895E-05	1.5390E-05	5.3385E-06		
17	2.9317E-05	2.7701E-05	2.5669E-05	2.3014E-05	1.9539E-05	1.5390E-05	1.0522E-05	3.9443E-06		
18	9.1487E-06	8.7510E-06	8.1891E-06	7.4624E-06	6.5147E-06	5.3385E-06	3.9443E-06	2.2240E-06		

2 FLUX GROUP 9 PLANE HZ = 78.00000 CM

	1	2	3	4	5	6	7	8	9	10
1	3.1705E-04	3.1453E-04	3.0708E-04	2.9524E-04	2.8030E-04	2.6323E-04	2.4311E-04	2.1848E-04	1.8983E-04	1.6314E-04
2	3.1453E-04	3.1453E-04	3.0952E-04	2.9962E-04	2.8555E-04	2.6968E-04	2.5213E-04	2.3021E-04	2.0253E-04	1.6928E-04
3	3.0708E-04	3.0952E-04	3.0708E-04	2.9962E-04	2.8678E-04	2.6882E-04	2.5604E-04	2.3864E-04	2.1421E-04	1.8048E-04
4	2.9524E-04	2.9962E-04	2.9962E-04	2.9524E-04	2.8555E-04	2.6882E-04	2.5613E-04	2.4436E-04	2.2338E-04	1.9775E-04
5	2.8030E-04	2.8555E-04	2.8678E-04	2.8555E-04	2.8030E-04	2.6968E-04	2.5604E-04	2.4436E-04	2.2674E-04	2.0650E-04
6	2.6323E-04	2.6968E-04	2.6882E-04	2.6882E-04	2.6968E-04	2.6323E-04	2.5213E-04	2.3864E-04	2.2338E-04	2.0650E-04
7	2.4311E-04	2.5213E-04	2.5604E-04	2.5613E-04	2.5604E-04	2.5213E-04	2.4311E-04	2.3021E-04	2.1421E-04	1.9775E-04
8	2.1848E-04	2.3021E-04	2.3864E-04	2.4436E-04	2.4436E-04	2.3864E-04	2.3021E-04	2.1848E-04	2.0253E-04	1.8048E-04
9	1.8983E-04	2.0253E-04	2.1421E-04	2.2338E-04	2.2674E-04	2.2338E-04	2.1421E-04	2.0253E-04	1.8983E-04	1.6928E-04
10	1.6314E-04	1.6928E-04	1.8048E-04	1.9775E-04	2.0650E-04	2.0650E-04	1.9775E-04	1.8048E-04	1.6928E-04	1.6314E-04
11	1.4315E-04	1.4591E-04	1.4444E-04	1.6590E-04	1.8291E-04	1.8784E-04	1.8291E-04	1.6590E-04	1.4444E-04	1.4591E-04
12	1.2456E-04	1.3218E-04	1.3331E-04	1.4208E-04	1.5822E-04	1.6631E-04	1.6631E-04	1.5822E-04	1.4208E-04	1.3331E-04
13	1.0239E-04	1.1262E-04	1.1970E-04	1.2649E-04	1.3497E-04	1.4240E-04	1.4524E-04	1.4240E-04	1.3497E-04	1.2649E-04
14	7.7456E-05	8.9587E-05	9.7286E-05	1.0500E-04	1.1193E-04	1.1650E-04	1.2092E-04	1.2092E-04	1.1650E-04	1.1193E-04
15	4.8751E-05	6.0529E-05	7.1914E-05	7.8292E-05	8.2048E-05	8.8999E-05	9.1929E-05	9.0770E-05	9.1929E-05	8.8999E-05
16	2.7234E-05	3.5871E-05	4.3643E-05	4.9751E-05	5.3849E-05	5.7427E-05	6.0308E-05	6.1246E-05	6.1246E-05	6.0308E-05
17	1.1976E-05	1.7527E-05	2.2267E-05	2.6237E-05	2.9253E-05	3.1530E-05	3.3315E-05	3.4386E-05	3.4692E-05	3.4386E-05
18	2.5307E-06	4.4896E-06	6.0802E-06	7.4232E-06	8.5025E-06	9.3231E-06	9.9491E-06	1.0386E-05	1.0598E-05	1.0598E-05
	11	12	13	14	15	16	17	18		
1	1.4315E-04	1.2456E-04	1.0239E-04	7.7456E-05	4.8751E-05	2.7234E-05	1.1976E-05	2.5307E-06		
2	1.4591E-04	1.3218E-04	1.1262E-04	8.9587E-05	6.0529E-05	3.5871E-05	1.7527E-05	4.4896E-06		
3	1.4444E-04	1.3331E-04	1.1970E-04	9.7286E-05	7.1914E-05	4.3643E-05	2.2267E-05	6.0802E-06		
4	1.6590E-04	1.4208E-04	1.2649E-04	1.0500E-04	7.8292E-05	4.9751E-05	2.6237E-05	7.4232E-06		
5	1.8291E-04	1.5822E-04	1.3497E-04	1.1193E-04	8.2048E-05	5.3849E-05	2.9253E-05	8.5025E-06		
6	1.8784E-04	1.6631E-04	1.4240E-04	1.1650E-04	8.8999E-05	5.7427E-05	3.1530E-05	9.3231E-06		
7	1.8291E-04	1.6631E-04	1.4524E-04	1.2092E-04	9.1929E-05	6.0308E-05	3.3315E-05	9.9491E-06		
8	1.6590E-04	1.5822E-04	1.4240E-04	1.2092E-04	9.0770E-05	6.1246E-05	3.4386E-05	1.0386E-05		
9	1.4444E-04	1.4208E-04	1.3497E-04	1.1650E-04	9.1929E-05	6.1246E-05	3.4692E-05	1.0598E-05		
10	1.4591E-04	1.3331E-04	1.2649E-04	1.1193E-04	8.8999E-05	6.0308E-05	3.4386E-05	1.0598E-05		
11	1.4315E-04	1.3218E-04	1.1970E-04	1.0500E-04	8.2048E-05	5.7427E-05	3.3315E-05	1.0386E-05		
12	1.3218E-04	1.2456E-04	1.1262E-04	9.7286E-05	7.8292E-05	5.3849E-05	3.1530E-05	9.9491E-06		
13	1.1970E-04	1.1262E-04	1.0239E-04	8.9587E-05	7.1914E-05	4.9751E-05	2.9253E-05	9.3231E-06		
14	1.0500E-04	9.7286E-05	8.9587E-05	7.7456E-05	6.0529E-05	4.3643E-05	2.6237E-05	8.5025E-06		
15	8.2048E-05	7.8292E-05	7.1914E-05	6.0529E-05	4.8751E-05	3.5871E-05	2.2267E-05	7.4232E-06		
16	5.7427E-05	5.3849E-05	4.9751E-05	4.3643E-05	3.5871E-05	2.7234E-05	1.7527E-05	6.0802E-06		
17	3.3315E-05	3.1530E-05	2.9253E-05	2.6237E-05	2.2267E-05	1.7527E-05	1.1976E-05	4.4896E-06		
18	1.0386E-05	9.9491E-06	9.3231E-06	8.5025E-06	7.4232E-06	6.0802E-06	4.4896E-06	2.5307E-06		

2 FLUX GROUP 10 PLANE HZ = 87.50000 CM

	1	2	3	4	5	6	7	8	9	10
1	3.3143E-04	3.2889E-04	3.2139E-04	3.0949E-04	2.9456E-04	2.7770E-04	2.5810E-04	2.3447E-04	2.0753E-04	1.8247E-04
2	3.2889E-04	3.2889E-04	3.2384E-04	3.1387E-04	2.9975E-04	2.8395E-04	2.6676E-04	2.4558E-04	2.1933E-04	1.8916E-04
3	3.2139E-04	3.2384E-04	3.2139E-04	3.1387E-04	3.0094E-04	2.8286E-04	2.7021E-04	2.5344E-04	2.3002E-04	1.9837E-04
4	3.0949E-04	3.1387E-04	3.1387E-04	3.0949E-04	2.9975E-04	2.8286E-04	2.7013E-04	2.5866E-04	2.3842E-04	2.1390E-04
5	2.9456E-04	2.9975E-04	3.0094E-04	2.9975E-04	2.9456E-04	2.8395E-04	2.7021E-04	2.5866E-04	2.4147E-04	2.2161E-04
6	2.7770E-04	2.8395E-04	2.8286E-04	2.8286E-04	2.8395E-04	2.7770E-04	2.6676E-04	2.5344E-04	2.3842E-04	2.2161E-04
7	2.5810E-04	2.6676E-04	2.7021E-04	2.7013E-04	2.7021E-04	2.6676E-04	2.5810E-04	2.4558E-04	2.3002E-04	2.1390E-04
8	2.3447E-04	2.4558E-04	2.5344E-04	2.5866E-04	2.5866E-04	2.5344E-04	2.4558E-04	2.3447E-04	2.1933E-04	1.9837E-04
9	2.0753E-04	2.1933E-04	2.3002E-04	2.3842E-04	2.3842E-04	2.3002E-04	2.3002E-04	2.1933E-04	2.0753E-04	1.8916E-04
10	1.8247E-04	1.8916E-04	1.9837E-04	2.1390E-04	2.2161E-04	2.2161E-04	2.1390E-04	1.9837E-04	1.8916E-04	1.8247E-04
11	1.6106E-04	1.6818E-04	1.7251E-04	1.8498E-04	1.9850E-04	2.0263E-04	1.9850E-04	1.8498E-04	1.7251E-04	1.6818E-04
12	1.3846E-04	1.4873E-04	1.5570E-04	1.6331E-04	1.7394E-04	1.8031E-04	1.8031E-04	1.7394E-04	1.6331E-04	1.5570E-04
13	1.1260E-04	1.2456E-04	1.3371E-04	1.4155E-04	1.4895E-04	1.5496E-04	1.5736E-04	1.5496E-04	1.4895E-04	1.4155E-04
14	8.4618E-05	9.8171E-05	1.0698E-04	1.1573E-04	1.2283E-04	1.2683E-04	1.3099E-04	1.3099E-04	1.2683E-04	1.2283E-04
15	5.2991E-05	6.5932E-05	7.8514E-05	8.5570E-05	8.9515E-05	9.6723E-05	9.9531E-05	9.8098E-05	9.9531E-05	9.6723E-05
16	2.9504E-05	3.8916E-05	4.7417E-05	5.4097E-05	5.8515E-05	6.2267E-05	6.5213E-05	6.6101E-05	6.6101E-05	6.5213E-05
17	1.2949E-05	1.8968E-05	2.4124E-05	2.8444E-05	3.1709E-05	3.4133E-05	3.5993E-05	3.7083E-05	3.7386E-05	3.7083E-05
18	2.7355E-06	4.8548E-06	6.5805E-06	8.0402E-06	9.2108E-06	1.0092E-05	1.0753E-05	1.1205E-05	1.1421E-05	1.1421E-05
	11	12	13	14	15	16	17	18		
1	1.6106E-04	1.3846E-04	1.1260E-04	8.4618E-05	5.2991E-05	2.9504E-05	1.2949E-05	2.7355E-06		
2	1.6818E-04	1.4873E-04	1.2456E-04	9.8171E-05	6.5932E-05	3.8916E-05	1.8968E-05	4.8548E-06		
3	1.7251E-04	1.5570E-04	1.3371E-04	1.0698E-04	7.8514E-05	4.7417E-05	2.4124E-05	6.5805E-06		
4	1.8498E-04	1.6331E-04	1.4155E-04	1.1573E-04	8.5570E-05	5.4097E-05	2.8444E-05	8.0402E-06		
5	1.9850E-04	1.7394E-04	1.4895E-04	1.2283E-04	8.9515E-05	5.8515E-05	3.1709E-05	9.2108E-06		
6	2.0263E-04	1.8031E-04	1.5496E-04	1.2683E-04	9.6723E-05	6.2267E-05	3.4133E-05	1.0092E-05		
7	1.9850E-04	1.8031E-04	1.5736E-04	1.3099E-04	9.9531E-05	6.5213E-05	3.5993E-05	1.0753E-05		
8	1.8498E-04	1.7394E-04	1.5496E-04	1.3099E-04	9.8098E-05	6.6101E-05	3.7083E-05	1.1205E-05		
9	1.7251E-04	1.6331E-04	1.4895E-04	1.2683E-04	9.9531E-05	6.6101E-05	3.7386E-05	1.1421E-05		
10	1.6818E-04	1.5570E-04	1.4155E-04	1.2283E-04	9.6723E-05	6.5213E-05	3.7083E-05	1.1421E-05		
11	1.6106E-04	1.4873E-04	1.3371E-04	1.1573E-04	8.9515E-05	6.2267E-05	3.5993E-05	1.1205E-05		
12	1.4873E-04	1.3846E-04	1.2456E-04	1.0698E-04	8.5570E-05	5.8515E-05	3.4133E-05	1.0753E-05		
13	1.3371E-04	1.2456E-04	1.1260E-04	9.8171E-05	7.8514E-05	5.4097E-05	3.1709E-05	1.0092E-05		
14	1.1573E-04	1.0698E-04	9.8171E-05	8.4618E-05	6.5932E-05	4.7417E-05	2.8444E-05	9.2108E-06		
15	8.9515E-05	8.5570E-05	7.8514E-05	6.5932E-05	5.2991E-05	3.8916E-05	2.4124E-05	8.0402E-06		
16	6.2267E-05	5.8515E-05	5.4097E-05	4.7417E-05	4.7417E-05	2.9504E-05	1.8968E-05	6.5805E-06		
17	3.5993E-05	3.4133E-05	3.1709E-05	2.8444E-05	2.4124E-05	1.8968E-05	1.2949E-05	4.8548E-06		
18	1.1205E-05	1.0753E-05	1.0092E-05	9.2108E-06	8.0402E-06	6.5805E-06	4.8548E-06	2.7355E-06		

2 FLUX GROUP 11 PLANE HZ = 97.00000 CM

	1	2	3	4	5	6	7	8	9	10
1	3.2923E-04	3.2680E-04	3.1963E-04	3.0828E-04	2.9414E-04	2.7832E-04	2.6018E-04	2.3860E-04	2.1435E-04	1.9172E-04
2	3.2680E-04	3.2680E-04	3.2197E-04	3.1245E-04	2.9900E-04	2.8407E-04	2.6807E-04	2.4863E-04	2.2484E-04	1.9824E-04
3	3.1963E-04	3.2197E-04	3.1963E-04	3.1245E-04	3.0008E-04	2.8281E-04	2.7094E-04	2.5558E-04	2.3419E-04	2.0564E-04
4	3.0828E-04	3.1245E-04	3.1245E-04	3.0828E-04	2.9900E-04	2.8281E-04	2.7071E-04	2.6008E-04	2.4150E-04	2.1911E-04
5	2.9414E-04	2.9900E-04	3.0008E-04	2.9900E-04	2.9414E-04	2.8407E-04	2.7094E-04	2.6008E-04	2.4413E-04	2.2557E-04
6	2.7832E-04	2.8407E-04	2.8281E-04	2.8281E-04	2.8407E-04	2.7832E-04	2.6807E-04	2.5558E-04	2.4150E-04	2.2557E-04
7	2.6018E-04	2.6807E-04	2.7094E-04	2.7071E-04	2.7094E-04	2.6807E-04	2.6018E-04	2.4863E-04	2.3419E-04	2.1911E-04
8	2.3860E-04	2.4863E-04	2.5558E-04	2.6008E-04	2.6008E-04	2.5558E-04	2.4863E-04	2.3860E-04	2.2484E-04	2.0564E-04
9	2.1435E-04	2.2484E-04	2.3419E-04	2.4150E-04	2.4413E-04	2.4150E-04	2.3419E-04	2.2484E-04	2.1435E-04	1.9824E-04
10	1.9172E-04	1.9824E-04	2.0564E-04	2.1911E-04	2.2557E-04	2.2557E-04	2.1911E-04	2.0564E-04	1.9824E-04	1.9172E-04
11	1.7007E-04	1.7995E-04	1.8563E-04	1.9374E-04	2.0391E-04	2.0717E-04	2.0391E-04	1.9374E-04	1.8563E-04	1.7995E-04
12	1.4507E-04	1.5710E-04	1.6819E-04	1.7461E-04	1.8052E-04	1.8514E-04	1.8514E-04	1.8052E-04	1.7461E-04	1.6819E-04
13	1.1703E-04	1.3003E-04	1.4054E-04	1.4891E-04	1.5507E-04	1.5960E-04	1.6149E-04	1.5960E-04	1.5507E-04	1.4891E-04
14	8.7468E-05	1.0174E-04	1.1117E-04	1.2045E-04	1.2738E-04	1.3069E-04	1.3441E-04	1.3441E-04	1.3069E-04	1.2738E-04
15	5.4535E-05	6.7978E-05	8.1109E-05	8.8471E-05	9.2402E-05	9.9514E-05	1.0207E-04	1.0045E-04	1.0207E-04	9.9514E-05
16	3.0273E-05	3.9982E-05	4.8777E-05	5.5687E-05	6.0198E-05	6.3934E-05	6.6801E-05	6.7596E-05	6.7596E-05	6.6801E-05
17	1.9444E-05	1.9444E-05	2.4752E-05	2.9204E-05	3.2550E-05	3.4997E-05	3.6839E-05	3.7893E-05	3.8177E-05	3.7893E-05
18	2.8010E-06	4.9729E-06	6.7460E-06	8.2479E-06	9.4501E-06	1.0347E-05	1.1009E-05	1.1454E-05	1.1662E-05	1.1662E-05
	11	12	13	14	15	16	17	18		
1	1.7007E-04	1.4507E-04	1.1703E-04	8.7468E-05	5.4535E-05	3.0273E-05	1.9444E-05	2.8010E-06		
2	1.7995E-04	1.5710E-04	1.3003E-04	1.0174E-04	6.7978E-05	3.9982E-05	1.9444E-05	4.9729E-06		
3	1.8563E-04	1.6819E-04	1.4054E-04	1.1117E-04	8.1109E-05	4.8777E-05	2.4752E-05	6.7460E-06		
4	1.9374E-04	1.7461E-04	1.4891E-04	1.2045E-04	8.8471E-05	5.5687E-05	2.9204E-05	8.2479E-06		
5	2.0391E-04	1.8052E-04	1.5507E-04	1.2738E-04	9.2402E-05	6.0198E-05	3.2550E-05	9.4501E-06		
6	2.0717E-04	1.8514E-04	1.5960E-04	1.3069E-04	9.9514E-05	6.3934E-05	3.4997E-05	1.0347E-05		
7	2.0391E-04	1.8514E-04	1.6149E-04	1.3441E-04	1.0207E-04	6.6801E-05	3.6839E-05	1.1009E-05		
8	1.9374E-04	1.8052E-04	1.5960E-04	1.3441E-04	1.0045E-04	6.7596E-05	3.7893E-05	1.1454E-05		
9	1.8563E-04	1.7461E-04	1.5507E-04	1.3069E-04	1.0207E-04	6.7596E-05	3.8177E-05	1.1662E-05		
10	1.7995E-04	1.6819E-04	1.4891E-04	1.2738E-04	9.9514E-05	6.6801E-05	3.7893E-05	1.1662E-05		
11	1.7007E-04	1.5710E-04	1.4054E-04	1.2045E-04	9.2402E-05	6.3934E-05	3.6839E-05	1.1454E-05		
12	1.5710E-04	1.4507E-04	1.3003E-04	1.1117E-04	8.8471E-05	6.0198E-05	3.4997E-05	1.1009E-05		
13	1.4054E-04	1.3003E-04	1.1703E-04	1.0174E-04	8.1109E-05	5.5687E-05	3.2550E-05	1.0347E-05		
14	1.2045E-04	1.1117E-04	1.0174E-04	8.7468E-05	6.7978E-05	4.8777E-05	2.9204E-05	9.4501E-06		
15	9.2402E-05	8.8471E-05	8.1109E-05	6.7978E-05	5.4535E-05	3.9982E-05	2.4752E-05	8.2479E-06		
16	6.3934E-05	6.0198E-05	5.5687E-05	4.8777E-05	3.9982E-05	3.0273E-05	1.9444E-05	6.7460E-06		
17	3.6839E-05	3.4997E-05	3.2550E-05	2.9204E-05	2.4752E-05	1.9444E-05	1.3264E-05	4.9729E-06		
18	1.1454E-05	1.1009E-05	1.0347E-05	9.4501E-06	8.2479E-06	6.7460E-06	4.9729E-06	2.8010E-06		

2 FLUX GROUP 12 PLANE HZ = 106.5000 CM

	1	2	3	4	5	6	7	8	9	10
1	3.0984E-04	3.0764E-04	3.0115E-04	2.9088E-04	2.7812E-04	2.6393E-04	2.4776E-04	2.2856E-04	2.0695E-04	1.8648E-04
2	3.0764E-04	3.0764E-04	3.0327E-04	2.9465E-04	2.8247E-04	2.6902E-04	2.5472E-04	2.3743E-04	2.1625E-04	1.9243E-04
3	3.0115E-04	3.0327E-04	3.0115E-04	2.9465E-04	2.8343E-04	2.6775E-04	2.5709E-04	2.4346E-04	2.2441E-04	1.9887E-04
4	2.9088E-04	2.9465E-04	2.9465E-04	2.9088E-04	2.8247E-04	2.6775E-04	2.5679E-04	2.4729E-04	2.3074E-04	2.1065E-04
5	2.7812E-04	2.8247E-04	2.8343E-04	2.8247E-04	2.7812E-04	2.6902E-04	2.5709E-04	2.4729E-04	2.3299E-04	2.1620E-04
6	2.6393E-04	2.6902E-04	2.6775E-04	2.6775E-04	2.6902E-04	2.6393E-04	2.5472E-04	2.4346E-04	2.3074E-04	2.1620E-04
7	2.4776E-04	2.5472E-04	2.5709E-04	2.5679E-04	2.5709E-04	2.5472E-04	2.4776E-04	2.3743E-04	2.2441E-04	2.1065E-04
8	2.2856E-04	2.3743E-04	2.4346E-04	2.4729E-04	2.4729E-04	2.4346E-04	2.3743E-04	2.2856E-04	2.1625E-04	1.9887E-04
9	2.0695E-04	2.1625E-04	2.2441E-04	2.3074E-04	2.3299E-04	2.3074E-04	2.2441E-04	2.1625E-04	2.0695E-04	1.9243E-04
10	1.8648E-04	1.9243E-04	1.9887E-04	2.1065E-04	2.1620E-04	2.1620E-04	2.1065E-04	1.9887E-04	1.9243E-04	1.8648E-04
11	1.6592E-04	1.7566E-04	1.8097E-04	1.8783E-04	1.9640E-04	1.9913E-04	1.9640E-04	1.8783E-04	1.8097E-04	1.7566E-04
12	1.4132E-04	1.5328E-04	1.6438E-04	1.7014E-04	1.7465E-04	1.7840E-04	1.7840E-04	1.7465E-04	1.7014E-04	1.6438E-04
13	1.1368E-04	1.2649E-04	1.3689E-04	1.4492E-04	1.5032E-04	1.5405E-04	1.5564E-04	1.5405E-04	1.5032E-04	1.4492E-04
14	8.4744E-05	9.8683E-05	1.0792E-04	1.1693E-04	1.2339E-04	1.2621E-04	1.2953E-04	1.2953E-04	1.2621E-04	1.2339E-04
15	5.2706E-05	6.5764E-05	7.8537E-05	8.5672E-05	8.9363E-05	9.6055E-05	9.8347E-05	9.6689E-05	9.8347E-05	9.6055E-05
16	2.9206E-05	3.8601E-05	4.7123E-05	5.3809E-05	5.8131E-05	6.1655E-05	6.4322E-05	6.5018E-05	6.5018E-05	6.4322E-05
17	1.2782E-05	1.8748E-05	2.3877E-05	2.8178E-05	3.1398E-05	3.3727E-05	3.5427E-05	3.6432E-05	3.6689E-05	3.6432E-05
18	2.6987E-06	4.7924E-06	6.5039E-06	7.9545E-06	9.1134E-06	9.9725E-06	1.0599E-05	1.1015E-05	1.1206E-05	1.1206E-05
	11	12	13	14	15	16	17	18		
1	1.6592E-04	1.4132E-04	1.1368E-04	8.4744E-05	5.2706E-05	2.9206E-05	1.2782E-05	2.6987E-06		
2	1.7566E-04	1.5328E-04	1.2649E-04	9.8683E-05	6.5764E-05	3.8601E-05	1.8748E-05	4.7924E-06		
3	1.8097E-04	1.6438E-04	1.3689E-04	1.0792E-04	7.8537E-05	4.7123E-05	2.3877E-05	6.5039E-06		
4	1.8783E-04	1.7014E-04	1.4492E-04	1.1693E-04	8.5672E-05	5.3809E-05	2.8178E-05	7.9545E-06		
5	1.9640E-04	1.7465E-04	1.5032E-04	1.2339E-04	8.9363E-05	5.8131E-05	3.1398E-05	9.1134E-06		
6	1.9913E-04	1.7840E-04	1.5405E-04	1.2621E-04	9.6055E-05	6.1655E-05	3.3727E-05	9.9725E-06		
7	1.9640E-04	1.7840E-04	1.5564E-04	1.2953E-04	9.8347E-05	6.4322E-05	3.5457E-05	1.0599E-05		
8	1.8783E-04	1.7465E-04	1.5405E-04	1.2953E-04	9.6689E-05	6.5018E-05	3.6432E-05	1.1015E-05		
9	1.8097E-04	1.7014E-04	1.5032E-04	1.2621E-04	9.8347E-05	6.5018E-05	3.6689E-05	1.1206E-05		
10	1.7566E-04	1.6438E-04	1.4492E-04	1.2339E-04	9.6055E-05	6.4322E-05	3.6432E-05	1.1206E-05		
11	1.6592E-04	1.5328E-04	1.3689E-04	1.1693E-04	8.9363E-05	6.1655E-05	3.5457E-05	1.1015E-05		
12	1.5328E-04	1.4132E-04	1.2649E-04	1.0792E-04	8.5672E-05	5.8131E-05	3.3727E-05	1.0599E-05		
13	1.3689E-04	1.2649E-04	1.1368E-04	9.8683E-05	7.8537E-05	5.3809E-05	3.1398E-05	9.9725E-06		
14	1.1693E-04	1.0792E-04	9.8683E-05	8.4744E-05	6.5764E-05	4.7123E-05	2.8178E-05	9.1134E-06		
15	8.9363E-05	8.5672E-05	7.8537E-05	6.5764E-05	5.2706E-05	3.8601E-05	2.3877E-05	7.9545E-06		
16	6.1655E-05	5.8131E-05	5.3809E-05	4.7123E-05	3.8601E-05	2.9206E-05	1.8748E-05	6.5039E-06		
17	3.5457E-05	3.3727E-05	3.1398E-05	2.8178E-05	2.3877E-05	1.8748E-05	1.2782E-05	4.7924E-06		
18	1.1015E-05	1.0599E-05	9.9725E-06	9.1134E-06	7.9545E-06	6.5039E-06	4.7924E-06	2.6987E-06		

2 FLUX GROUP 13 PLANE HZ = 116.00000 CM

	1	2	3	4	5	6	7	8	9	10
1	2.7395E-04	2.7209E-04	2.6658E-04	2.5785E-04	2.4699E-04	2.3490E-04	2.2108E-04	2.0464E-04	1.8605E-04	1.6823E-04
2	2.7209E-04	2.7209E-04	2.6837E-04	2.6105E-04	2.5069E-04	2.3924E-04	2.2703E-04	2.1222E-04	1.9403E-04	1.7343E-04
3	2.6658E-04	2.6837E-04	2.6658E-04	2.6105E-04	2.5151E-04	2.3817E-04	2.2906E-04	2.1736E-04	2.0098E-04	1.7894E-04
4	2.5785E-04	2.6105E-04	2.6105E-04	2.5785E-04	2.5069E-04	2.3817E-04	2.2881E-04	2.2064E-04	2.0634E-04	1.8896E-04
5	2.4699E-04	2.5069E-04	2.5151E-04	2.5069E-04	2.4699E-04	2.3924E-04	2.2906E-04	2.2064E-04	2.0825E-04	1.9363E-04
6	2.3490E-04	2.3924E-04	2.3817E-04	2.3817E-04	2.3924E-04	2.3490E-04	2.2703E-04	2.1736E-04	2.0634E-04	1.9363E-04
7	2.2108E-04	2.2703E-04	2.2906E-04	2.2881E-04	2.2906E-04	2.2703E-04	2.2108E-04	2.1222E-04	2.0098E-04	1.8896E-04
8	2.0464E-04	2.1222E-04	2.1736E-04	2.2064E-04	2.2064E-04	2.1736E-04	2.1222E-04	2.0464E-04	1.9403E-04	1.7894E-04
9	1.8605E-04	1.9403E-04	2.0098E-04	2.0634E-04	2.0825E-04	2.0634E-04	2.0098E-04	1.9403E-04	1.8605E-04	1.7343E-04
10	1.6823E-04	1.7343E-04	1.7894E-04	1.8896E-04	1.9363E-04	1.9363E-04	1.8896E-04	1.7894E-04	1.7343E-04	1.6823E-04
11	1.4987E-04	1.5866E-04	1.6333E-04	1.6914E-04	1.7630E-04	1.7857E-04	1.7630E-04	1.6914E-04	1.6333E-04	1.5866E-04
12	1.2759E-04	1.3845E-04	1.4849E-04	1.5348E-04	1.5707E-04	1.6015E-04	1.6015E-04	1.5707E-04	1.5348E-04	1.4849E-04
13	1.0249E-04	1.1411E-04	1.2353E-04	1.3068E-04	1.3529E-04	1.3838E-04	1.3969E-04	1.3838E-04	1.3529E-04	1.3068E-04
14	7.6288E-05	8.8896E-05	9.7247E-05	1.0533E-04	1.1101E-04	1.1338E-04	1.1623E-04	1.1623E-04	1.1338E-04	1.1101E-04
15	4.7384E-05	5.9149E-05	7.0669E-05	7.7078E-05	8.0320E-05	8.6243E-05	8.8210E-05	8.6667E-05	8.8210E-05	8.6243E-05
16	2.6239E-05	3.4687E-05	4.2352E-05	4.8358E-05	5.2213E-05	5.5327E-05	5.7666E-05	5.8251E-05	5.8251E-05	5.7666E-05
17	1.1480E-05	1.6839E-05	2.1448E-05	2.5309E-05	2.8189E-05	3.0260E-05	3.1785E-05	3.2635E-05	3.2855E-05	3.2635E-05
18	2.4234E-06	4.3037E-06	5.8408E-06	7.1430E-06	8.1814E-06	8.9478E-06	9.5026E-06	9.8675E-06	1.0034E-05	1.0034E-05
	11	12	13	14	15	16	17	18		
1	1.4987E-04	1.2759E-04	1.0249E-04	7.6288E-05	4.7384E-05	2.6239E-05	1.1480E-05	2.4234E-06		
2	1.5866E-04	1.3845E-04	1.1411E-04	8.8896E-05	5.9149E-05	3.4687E-05	1.6839E-05	4.3037E-06		
3	1.6333E-04	1.4849E-04	1.2353E-04	9.7247E-05	7.0669E-05	4.2352E-05	2.1448E-05	5.8408E-06		
4	1.6914E-04	1.5348E-04	1.3068E-04	1.0533E-04	7.7078E-05	4.8358E-05	2.5309E-05	7.1430E-06		
5	1.7630E-04	1.5707E-04	1.3529E-04	1.1101E-04	8.0320E-05	5.2213E-05	2.8189E-05	8.1814E-06		
6	1.7857E-04	1.6015E-04	1.3838E-04	1.1338E-04	8.6243E-05	5.5327E-05	3.0260E-05	8.9478E-06		
7	1.7630E-04	1.6015E-04	1.3969E-04	1.1623E-04	8.8210E-05	5.7666E-05	3.1785E-05	9.5026E-06		
8	1.6914E-04	1.5707E-04	1.3838E-04	1.1623E-04	8.6667E-05	5.8251E-05	3.2635E-05	9.8675E-06		
9	1.6333E-04	1.5348E-04	1.3529E-04	1.1338E-04	8.8210E-05	5.8251E-05	3.2855E-05	1.0034E-05		
10	1.5866E-04	1.4849E-04	1.3068E-04	1.1101E-04	8.6243E-05	5.7666E-05	3.2635E-05	1.0034E-05		
11	1.4987E-04	1.3845E-04	1.2353E-04	1.0533E-04	8.0320E-05	5.5327E-05	3.1785E-05	9.8675E-06		
12	1.3845E-04	1.2759E-04	1.1411E-04	9.7247E-05	7.7078E-05	5.2213E-05	3.0260E-05	9.5026E-06		
13	1.2353E-04	1.1411E-04	1.0249E-04	8.8896E-05	7.0669E-05	4.8358E-05	2.8189E-05	8.9478E-06		
14	1.0533E-04	9.7247E-05	8.8896E-05	7.6288E-05	5.9149E-05	4.2352E-05	2.5309E-05	7.1430E-06		
15	8.0320E-05	7.7078E-05	7.0669E-05	5.9149E-05	4.7384E-05	3.4687E-05	2.1448E-05	5.8408E-06		
16	5.5327E-05	5.2213E-05	4.8358E-05	4.2352E-05	3.4687E-05	2.6239E-05	1.6839E-05	5.8408E-06		
17	3.1785E-05	3.0260E-05	2.8189E-05	2.5309E-05	2.1448E-05	1.6839E-05	1.1480E-05	4.3037E-06		
18	9.8675E-06	9.5026E-06	8.9478E-06	8.1814E-06	7.1430E-06	5.8408E-06	4.3037E-06	2.4234E-06		

2 FLUX GROUP 14 PLANE HZ = 125.50000 CM

	1	2	3	4	5	6	7	8	9	10
1	2.2397E-04	2.2253E-04	2.1826E-04	2.1149E-04	2.0299E-04	1.9339E-04	1.8228E-04	1.6903E-04	1.5405E-04	1.3955E-04
2	2.2253E-04	2.2253E-04	2.1966E-04	2.1399E-04	2.0595E-04	1.9695E-04	1.8714E-04	1.7516E-04	1.6049E-04	1.4391E-04
3	2.1826E-04	2.1966E-04	2.1826E-04	2.1399E-04	2.0664E-04	1.9635E-04	1.8910E-04	1.7941E-04	1.6606E-04	1.4833E-04
4	2.1149E-04	2.1399E-04	2.1399E-04	2.1149E-04	2.0595E-04	1.9635E-04	1.8908E-04	1.8232E-04	1.7039E-04	1.5620E-04
5	2.0299E-04	2.0595E-04	2.0664E-04	2.0595E-04	2.0299E-04	1.9695E-04	1.8910E-04	1.8232E-04	1.7195E-04	1.5984E-04
6	1.9339E-04	1.9695E-04	1.9635E-04	1.9635E-04	1.9695E-04	1.9339E-04	1.8714E-04	1.7941E-04	1.7039E-04	1.5984E-04
7	1.8228E-04	1.8714E-04	1.8910E-04	1.8908E-04	1.8910E-04	1.8714E-04	1.8228E-04	1.7516E-04	1.6606E-04	1.5620E-04
8	1.6903E-04	1.7516E-04	1.7941E-04	1.8232E-04	1.8232E-04	1.7941E-04	1.7516E-04	1.6903E-04	1.6049E-04	1.4833E-04
9	1.5405E-04	1.6049E-04	1.6606E-04	1.7039E-04	1.7195E-04	1.7039E-04	1.6606E-04	1.6049E-04	1.5405E-04	1.4391E-04
10	1.3955E-04	1.4391E-04	1.4833E-04	1.5620E-04	1.5984E-04	1.5984E-04	1.5620E-04	1.4833E-04	1.4391E-04	1.3955E-04
11	1.2427E-04	1.3176E-04	1.3568E-04	1.4018E-04	1.4560E-04	1.4732E-04	1.4560E-04	1.4018E-04	1.3568E-04	1.3176E-04
12	1.0558E-04	1.1471E-04	1.2325E-04	1.2728E-04	1.2979E-04	1.3206E-04	1.3206E-04	1.2979E-04	1.2728E-04	1.2325E-04
13	8.4613E-05	9.4312E-05	1.0219E-04	1.0809E-04	1.1172E-04	1.1405E-04	1.1503E-04	1.1405E-04	1.1172E-04	1.0809E-04
14	6.2833E-05	7.3289E-05	8.0249E-05	8.6896E-05	9.1502E-05	9.3357E-05	9.5574E-05	9.5574E-05	9.3357E-05	9.1502E-05
15	3.9019E-05	4.8694E-05	5.8194E-05	6.3473E-05	6.6087E-05	7.0911E-05	7.2466E-05	7.1150E-05	7.2466E-05	7.0911E-05
16	2.1637E-05	2.8580E-05	3.4874E-05	3.9804E-05	4.2961E-05	4.5489E-05	4.7374E-05	4.7831E-05	4.7831E-05	4.7374E-05
17	9.4777E-06	1.3893E-05	1.7679E-05	2.0847E-05	2.3208E-05	2.4897E-05	2.6133E-05	2.6816E-05	2.6991E-05	2.6816E-05
18	2.0006E-06	3.5518E-06	4.8164E-06	5.8852E-06	6.7363E-06	7.3632E-06	7.8145E-06	8.1093E-06	8.2432E-06	8.2432E-06
	11	12	13	14	15	16	17	18		
1	1.2427E-04	1.0558E-04	8.4613E-05	6.2833E-05	3.9019E-05	2.1637E-05	9.4777E-06	2.0006E-06		
2	1.3176E-04	1.1471E-04	9.4312E-05	7.3289E-05	4.8694E-05	2.8580E-05	1.3893E-05	3.5518E-06		
3	1.3568E-04	1.2325E-04	1.0219E-04	8.0249E-05	5.8194E-05	3.4874E-05	1.7679E-05	4.8164E-06		
4	1.4018E-04	1.2728E-04	1.0809E-04	8.6896E-05	6.3473E-05	3.9804E-05	2.0847E-05	5.8852E-06		
5	1.4560E-04	1.2979E-04	1.1172E-04	9.1502E-05	6.6087E-05	4.2961E-05	2.3208E-05	6.7363E-06		
6	1.4732E-04	1.3206E-04	1.1405E-04	9.3357E-05	7.0911E-05	4.5489E-05	2.4897E-05	7.3632E-06		
7	1.4560E-04	1.3206E-04	1.1503E-04	9.5574E-05	7.2466E-05	4.7374E-05	2.6133E-05	7.8145E-06		
8	1.4018E-04	1.2979E-04	1.1405E-04	9.5574E-05	7.1150E-05	4.7831E-05	2.6816E-05	8.1093E-06		
9	1.3568E-04	1.2728E-04	1.1172E-04	9.3357E-05	7.2466E-05	4.7831E-05	2.6991E-05	8.2432E-06		
10	1.3176E-04	1.2325E-04	1.0809E-04	9.1502E-05	7.0911E-05	4.7374E-05	2.6816E-05	8.2432E-06		
11	1.2427E-04	1.1471E-04	1.0219E-04	8.6896E-05	6.6087E-05	4.5489E-05	2.6133E-05	8.1093E-06		
12	1.1471E-04	1.0558E-04	9.4312E-05	8.0249E-05	6.3473E-05	4.2961E-05	2.4897E-05	7.8145E-06		
13	1.0219E-04	9.4312E-05	8.4613E-05	7.3289E-05	5.8194E-05	3.9804E-05	2.3208E-05	7.3632E-06		
14	8.6896E-05	8.0249E-05	7.3289E-05	6.2833E-05	4.8694E-05	3.4874E-05	2.0847E-05	6.7363E-06		
15	6.6087E-05	6.3473E-05	5.8194E-05	4.8694E-05	3.9019E-05	2.8580E-05	1.7679E-05	5.8852E-06		
16	4.5489E-05	4.2961E-05	3.9804E-05	3.4874E-05	2.8580E-05	2.1637E-05	1.3893E-05	4.8164E-06		
17	2.6133E-05	2.4897E-05	2.3208E-05	2.0847E-05	1.7679E-05	1.3893E-05	9.4777E-06	3.5518E-06		
18	8.1093E-06	7.8145E-06	7.3632E-06	6.7363E-06	5.8852E-06	4.8164E-06	3.5518E-06	2.0006E-06		

2 FLUX GROUP 15 PLANE HZ = 135.00000 CM

	1	2	3	4	5	6	7	8	9	10
1	1.6514E-04	1.6417E-04	1.6130E-04	1.5672E-04	1.5087E-04	1.4399E-04	1.3578E-04	1.2603E-04	1.1514E-04	1.0448E-04
2	1.6417E-04	1.6417E-04	1.6224E-04	1.5845E-04	1.5307E-04	1.4682E-04	1.3957E-04	1.3059E-04	1.1986E-04	1.0798E-04
3	1.6130E-04	1.6224E-04	1.6130E-04	1.5845E-04	1.5366E-04	1.4705E-04	1.4189E-04	1.3406E-04	1.2394E-04	1.1114E-04
4	1.5672E-04	1.5845E-04	1.5845E-04	1.5672E-04	1.5307E-04	1.4705E-04	1.4233E-04	1.3699E-04	1.2719E-04	1.1649E-04
5	1.5087E-04	1.5307E-04	1.5366E-04	1.5307E-04	1.5087E-04	1.4682E-04	1.4189E-04	1.3699E-04	1.2843E-04	1.1892E-04
6	1.4399E-04	1.4682E-04	1.4705E-04	1.4705E-04	1.4682E-04	1.4399E-04	1.3957E-04	1.3406E-04	1.2719E-04	1.1892E-04
7	1.3578E-04	1.3957E-04	1.4189E-04	1.4233E-04	1.4189E-04	1.3957E-04	1.3578E-04	1.3059E-04	1.2394E-04	1.1649E-04
8	1.2603E-04	1.3059E-04	1.3406E-04	1.3699E-04	1.3699E-04	1.3406E-04	1.3059E-04	1.2603E-04	1.1986E-04	1.1114E-04
9	1.1514E-04	1.1986E-04	1.2394E-04	1.2719E-04	1.2843E-04	1.2719E-04	1.2394E-04	1.1986E-04	1.1514E-04	1.0798E-04
10	1.0448E-04	1.0798E-04	1.1114E-04	1.1649E-04	1.1892E-04	1.1892E-04	1.1649E-04	1.1114E-04	1.0798E-04	1.0448E-04
11	9.2768E-05	9.8964E-05	1.0214E-04	1.0498E-04	1.0818E-04	1.0922E-04	1.0818E-04	1.0498E-04	1.0214E-04	9.8964E-05
12	7.8320E-05	8.5459E-05	9.2542E-05	9.5421E-05	9.6387E-05	9.7650E-05	9.7650E-05	9.6387E-05	9.5421E-05	9.2542E-05
13	6.2382E-05	6.9753E-05	7.5831E-05	8.0286E-05	8.2743E-05	8.4131E-05	8.4131E-05	8.2743E-05	8.0286E-05	7.5831E-05
14	4.5968E-05	5.3758E-05	5.9144E-05	6.3963E-05	6.7270E-05	6.8665E-05	7.0002E-05	7.0002E-05	6.8665E-05	6.7270E-05
15	2.8762E-05	3.5771E-05	4.2584E-05	4.6511E-05	4.8511E-05	5.1860E-05	5.2944E-05	5.2069E-05	5.2944E-05	5.1860E-05
16	1.6077E-05	2.1157E-05	2.5720E-05	2.9309E-05	3.1647E-05	3.3480E-05	3.4810E-05	3.5149E-05	3.5149E-05	3.4810E-05
17	7.0797E-06	1.0351E-05	1.3127E-05	1.5440E-05	1.7173E-05	1.8415E-05	1.9308E-05	1.9800E-05	1.9929E-05	1.9800E-05
18	1.4949E-06	2.6510E-06	3.5845E-06	4.3674E-06	4.9905E-06	5.4507E-06	5.7803E-06	5.9936E-06	6.0905E-06	6.0905E-06
	11	12	13	14	15	16	17	18		
1	9.2768E-05	7.8320E-05	6.2382E-05	4.5968E-05	2.8762E-05	1.6077E-05	7.0797E-06	1.4949E-06		
2	9.8964E-05	8.5459E-05	6.9753E-05	5.3758E-05	3.5771E-05	2.1157E-05	1.0351E-05	2.6510E-06		
3	1.0214E-04	9.2542E-05	7.5831E-05	5.9144E-05	4.2584E-05	2.5720E-05	1.3127E-05	3.5845E-06		
4	1.0498E-04	9.5421E-05	8.0286E-05	6.3963E-05	4.6511E-05	2.9309E-05	1.5440E-05	4.3674E-06		
5	1.0818E-04	9.6387E-05	8.2743E-05	6.7270E-05	4.8511E-05	3.1647E-05	1.7173E-05	4.9905E-06		
6	1.0922E-04	9.7650E-05	8.4131E-05	6.8665E-05	5.1860E-05	3.3480E-05	1.8415E-05	5.4507E-06		
7	1.0818E-04	9.7650E-05	8.4714E-05	7.0002E-05	5.2944E-05	3.4810E-05	1.9308E-05	5.7803E-06		
8	1.0498E-04	9.6387E-05	8.4131E-05	7.0002E-05	5.2069E-05	3.5149E-05	1.9800E-05	5.9936E-06		
9	1.0214E-04	9.5421E-05	8.2743E-05	6.8665E-05	5.2944E-05	3.5149E-05	1.9929E-05	6.0905E-06		
10	9.8964E-05	9.2542E-05	8.0286E-05	6.7270E-05	5.1860E-05	3.4810E-05	1.9800E-05	6.0905E-06		
11	9.2768E-05	8.5459E-05	7.5831E-05	6.3963E-05	4.8511E-05	3.3480E-05	1.9308E-05	5.9936E-06		
12	8.5459E-05	7.8320E-05	6.9753E-05	5.9144E-05	4.6511E-05	3.1647E-05	1.8415E-05	5.7803E-06		
13	7.5831E-05	6.9753E-05	6.2382E-05	5.3758E-05	4.2584E-05	2.9309E-05	1.7173E-05	5.4507E-06		
14	6.3963E-05	5.9144E-05	5.3758E-05	4.5968E-05	3.5771E-05	2.5720E-05	1.5440E-05	4.9905E-06		
15	4.8511E-05	4.6511E-05	4.2584E-05	3.5771E-05	2.8762E-05	2.1157E-05	1.3127E-05	4.3674E-06		
16	3.3480E-05	3.1647E-05	2.9309E-05	2.5720E-05	2.1157E-05	1.6077E-05	1.0351E-05	3.5845E-06		
17	1.9308E-05	1.8415E-05	1.7173E-05	1.5440E-05	1.3127E-05	1.0351E-05	7.0797E-06	2.6510E-06		
18	5.9936E-06	5.7803E-06	5.4507E-06	4.9905E-06	4.3674E-06	3.5845E-06	2.6510E-06	1.4949E-06		

2 FLUX GROUP 16 PLANE HZ = 145.00000 CM

	1	2	3	4	5	6	7	8	9	10
1	1.0426E-04	1.0375E-04	1.0224E-04	9.9844E-05	9.6615E-05	9.2424E-05	8.7131E-05	8.0946E-05	7.4331E-05	6.7695E-05
2	1.0375E-04	1.0375E-04	1.0274E-04	1.0081E-04	9.8099E-05	9.4609E-05	8.9882E-05	8.3913E-05	7.7285E-05	7.0533E-05
3	1.0224E-04	1.0274E-04	1.0224E-04	1.0081E-04	9.8647E-05	9.6078E-05	9.2935E-05	8.6644E-05	7.9823E-05	7.2464E-05
4	9.9844E-05	1.0081E-04	1.0081E-04	9.9844E-05	9.8099E-05	9.6078E-05	9.4064E-05	8.9869E-05	8.1986E-05	7.4933E-05
5	9.6615E-05	9.8099E-05	9.8647E-05	9.8099E-05	9.6615E-05	9.4609E-05	9.2935E-05	8.9869E-05	8.2909E-05	7.6078E-05
6	9.2424E-05	9.4609E-05	9.6078E-05	9.6078E-05	9.4609E-05	9.2424E-05	8.9882E-05	8.6644E-05	8.1986E-05	7.6078E-05
7	8.7131E-05	8.9882E-05	9.2935E-05	9.4064E-05	9.2935E-05	8.9882E-05	8.7131E-05	8.3913E-05	7.9823E-05	7.4933E-05
8	8.0946E-05	8.3913E-05	8.6644E-05	8.9869E-05	8.9869E-05	8.6644E-05	8.3913E-05	8.0946E-05	7.7285E-05	7.2464E-05
9	7.4331E-05	7.7285E-05	7.9823E-05	8.1986E-05	8.2909E-05	8.1986E-05	7.9823E-05	7.7285E-05	7.4331E-05	7.0533E-05
10	6.7695E-05	7.0533E-05	7.2464E-05	7.4933E-05	7.6078E-05	7.6078E-05	7.4933E-05	7.2464E-05	7.0533E-05	6.7695E-05
11	5.9720E-05	6.4703E-05	6.7284E-05	6.8348E-05	6.9045E-05	6.9378E-05	6.9045E-05	6.8348E-05	6.7284E-05	6.4703E-05
12	4.9816E-05	5.4822E-05	6.0447E-05	6.2196E-05	6.1519E-05	6.1757E-05	6.1757E-05	6.1519E-05	6.0447E-05	5.4822E-05
13	3.9377E-05	4.4195E-05	4.8366E-05	5.1353E-05	5.2615E-05	5.3078E-05	5.3289E-05	5.3078E-05	5.2615E-05	5.1353E-05
14	2.9007E-05	3.3865E-05	3.7395E-05	4.0495E-05	4.2516E-05	4.3278E-05	4.3943E-05	4.3943E-05	4.3278E-05	4.2516E-05
15	1.8488E-05	2.2821E-05	2.6929E-05	2.9458E-05	3.0867E-05	3.2758E-05	3.3384E-05	3.2972E-05	3.3384E-05	3.2758E-05
16	1.0489E-05	1.3713E-05	1.6558E-05	1.8809E-05	2.0327E-05	2.1479E-05	2.2273E-05	2.2498E-05	2.2273E-05	2.2498E-05
17	4.6613E-06	6.7850E-06	8.5569E-06	1.0022E-05	1.1131E-05	1.1928E-05	1.2488E-05	1.2795E-05	1.2878E-05	1.2795E-05
18	9.8493E-07	1.7434E-06	2.3460E-06	2.8450E-06	3.2420E-06	3.5368E-06	3.7467E-06	3.8806E-06	3.9416E-06	3.9416E-06
	11	12	13	14	15	16	17	18		
1	5.9720E-05	4.9816E-05	3.9377E-05	2.9007E-05	1.8488E-05	1.0489E-05	4.6613E-06	9.8493E-07		
2	6.4703E-05	5.4822E-05	4.4195E-05	3.3865E-05	2.2821E-05	1.3713E-05	6.7850E-06	1.7434E-06		
3	6.7284E-05	6.0447E-05	4.8366E-05	3.7395E-05	2.6929E-05	1.6558E-05	8.5569E-06	2.3460E-06		
4	6.8348E-05	6.2196E-05	5.1353E-05	4.0495E-05	2.9458E-05	1.8809E-05	1.0022E-05	2.8450E-06		
5	6.9045E-05	6.1519E-05	5.2615E-05	4.2516E-05	3.0867E-05	2.0327E-05	1.1131E-05	3.2420E-06		
6	6.9378E-05	6.1757E-05	5.3078E-05	4.3278E-05	3.2758E-05	2.1479E-05	1.1928E-05	3.5368E-06		
7	6.9045E-05	6.1757E-05	5.3289E-05	4.3943E-05	3.3384E-05	2.2273E-05	1.2488E-05	3.7467E-06		
8	6.8348E-05	6.1519E-05	5.3078E-05	4.3943E-05	3.2972E-05	2.2498E-05	1.2795E-05	3.8806E-06		
9	6.7284E-05	6.2196E-05	5.2615E-05	4.3278E-05	3.3384E-05	2.2498E-05	1.2878E-05	3.9416E-06		
10	6.4703E-05	6.0447E-05	5.1353E-05	4.2516E-05	3.2758E-05	2.2273E-05	1.2795E-05	3.9416E-06		
11	5.9720E-05	5.4822E-05	4.8366E-05	4.0495E-05	3.0867E-05	2.1479E-05	1.2488E-05	3.8806E-06		
12	5.4822E-05	4.9816E-05	4.4195E-05	3.7395E-05	2.9458E-05	2.0327E-05	1.1928E-05	3.7467E-06		
13	4.8366E-05	4.4195E-05	3.9377E-05	3.3865E-05	2.6929E-05	1.8809E-05	1.1131E-05	3.5368E-06		
14	4.0495E-05	3.7395E-05	3.3865E-05	2.9007E-05	2.2821E-05	1.6558E-05	1.0022E-05	3.2420E-06		
15	3.0867E-05	2.9458E-05	2.6929E-05	2.2821E-05	1.8488E-05	1.3713E-05	8.5569E-06	2.8450E-06		
16	2.1479E-05	2.0327E-05	1.8809E-05	1.6558E-05	1.3713E-05	1.0489E-05	6.7850E-06	2.3460E-06		
17	1.2488E-05	1.1928E-05	1.1131E-05	1.0022E-05	8.5569E-06	6.7850E-06	4.6613E-06	1.7434E-06		
18	3.8806E-06	3.7467E-06	3.5368E-06	3.2420E-06	2.8450E-06	2.3460E-06	1.7434E-06	9.8493E-07		

2 FLUX GROUP 17 PLANE HZ = 155.00000 CM

	1	2	3	4	5	6	7	8	9	10
1	6.0748E-05	6.0511E-05	5.9822E-05	5.8707E-05	5.7087E-05	5.4738E-05	5.1598E-05	4.7969E-05	4.4209E-05	4.0357E-05
2	6.0511E-05	6.0511E-05	6.0053E-05	5.9195E-05	5.7974E-05	5.6172E-05	5.3360E-05	4.9743E-05	4.5917E-05	4.2214E-05
3	5.9822E-05	6.0053E-05	5.9822E-05	5.9195E-05	5.8359E-05	5.7505E-05	5.5720E-05	5.1567E-05	4.7387E-05	4.3312E-05
4	5.8707E-05	5.9195E-05	5.9195E-05	5.8707E-05	5.7974E-05	5.7505E-05	5.6669E-05	5.3927E-05	4.8694E-05	4.4420E-05
5	5.7087E-05	5.7974E-05	5.8359E-05	5.7974E-05	5.7087E-05	5.6172E-05	5.5720E-05	5.3927E-05	4.9289E-05	4.4929E-05
6	5.4738E-05	5.6172E-05	5.7505E-05	5.7505E-05	5.6172E-05	5.4738E-05	5.3360E-05	5.1567E-05	4.3694E-05	4.4929E-05
7	5.1598E-05	5.3360E-05	5.5720E-05	5.6669E-05	5.5720E-05	5.3360E-05	5.1598E-05	4.9743E-05	4.7387E-05	4.4420E-05
8	4.7969E-05	4.9743E-05	5.1567E-05	5.3927E-05	5.3927E-05	5.1567E-05	4.9743E-05	4.7969E-05	4.5917E-05	4.3312E-05
9	4.4209E-05	4.5917E-05	4.7387E-05	4.8694E-05	4.9289E-05	4.8694E-05	4.7387E-05	4.5917E-05	4.4209E-05	4.2214E-05
10	4.0357E-05	4.2214E-05	4.3312E-05	4.4420E-05	4.4929E-05	4.4929E-05	4.4420E-05	4.3312E-05	4.2214E-05	4.0357E-05
11	3.5431E-05	3.8711E-05	4.0403E-05	4.0770E-05	4.0682E-05	4.0737E-05	4.0682E-05	4.0770E-05	4.0403E-05	3.8711E-05
12	2.9287E-05	3.2423E-05	3.6095E-05	3.7086E-05	3.6224E-05	3.6119E-05	3.6119E-05	3.6224E-05	3.7086E-05	3.6095E-05
13	2.2994E-05	2.5892E-05	2.8470E-05	3.0278E-05	3.0885E-05	3.0966E-05	3.1012E-05	3.0966E-05	3.0885E-05	3.0278E-05
14	1.6894E-05	1.9739E-05	2.1852E-05	2.3687E-05	2.4836E-05	2.5208E-05	2.5510E-05	2.5510E-05	2.5208E-05	2.4836E-05
15	1.0823E-05	1.3320E-05	1.5702E-05	1.7185E-05	1.8000E-05	1.9066E-05	1.9392E-05	1.9136E-05	1.9392E-05	1.9066E-05
16	6.1870E-06	8.0582E-06	9.7001E-06	1.1003E-05	1.1888E-05	1.2547E-05	1.2990E-05	1.3111E-05	1.3111E-05	1.2990E-05
17	2.7646E-06	4.0128E-06	5.0430E-06	5.8915E-06	6.5350E-06	6.9968E-06	7.3165E-06	7.5352E-06	7.4888E-06	7.5352E-06
18	5.8426E-07	1.0329E-06	1.3855E-06	1.6751E-06	1.9051E-06	2.0761E-06	2.1969E-06	2.2730E-06	2.3073E-06	2.3073E-06
	11	12	13	14	15	16	17	18		
1	3.5431E-05	2.9287E-05	2.2994E-05	1.6894E-05	1.0823E-05	6.1870E-06	2.7646E-06	5.8426E-07		
2	3.8711E-05	3.2423E-05	2.5892E-05	1.9739E-05	1.3320E-05	8.0582E-06	4.0128E-06	1.0329E-06		
3	4.0403E-05	3.6095E-05	2.8470E-05	2.1852E-05	1.5702E-05	9.7001E-06	5.0430E-06	1.3855E-06		
4	4.0770E-05	3.7086E-05	3.0278E-05	2.3687E-05	1.7185E-05	1.1003E-05	5.8915E-06	1.6751E-06		
5	4.0682E-05	3.6224E-05	3.0885E-05	2.4836E-05	1.8000E-05	1.1888E-05	6.5350E-06	1.9051E-06		
6	4.0737E-05	3.6119E-05	3.0966E-05	2.5208E-05	1.9066E-05	1.2547E-05	6.9968E-06	2.0761E-06		
7	4.0682E-05	3.6119E-05	3.1012E-05	2.5510E-05	1.9392E-05	1.2990E-05	7.3165E-06	2.1969E-06		
8	4.0770E-05	3.6224E-05	3.0966E-05	2.5510E-05	1.9136E-05	1.3111E-05	7.4888E-06	2.2730E-06		
9	4.0403E-05	3.7086E-05	3.0885E-05	2.5208E-05	1.9392E-05	1.3111E-05	7.5352E-06	2.3073E-06		
10	3.8711E-05	3.6095E-05	3.0278E-05	2.4836E-05	1.9066E-05	1.2990E-05	7.4888E-06	2.3073E-06		
11	3.5431E-05	3.2423E-05	2.8470E-05	2.3687E-05	1.8000E-05	1.2547E-05	7.3165E-06	2.2730E-06		
12	3.2423E-05	2.9287E-05	2.5892E-05	2.1852E-05	1.7185E-05	1.1888E-05	6.9968E-06	2.1969E-06		
13	2.8470E-05	2.5892E-05	2.2994E-05	1.9739E-05	1.5702E-05	1.1003E-05	6.5350E-06	2.0761E-06		
14	2.3687E-05	2.1852E-05	1.9739E-05	1.6894E-05	1.3320E-05	9.7001E-06	5.8915E-06	1.9051E-06		
15	1.8000E-05	1.7185E-05	1.5702E-05	1.3320E-05	1.0823E-05	8.0582E-06	5.0430E-06	1.6751E-06		
16	1.2547E-05	1.1888E-05	1.1003E-05	9.7001E-06	8.0582E-06	6.1870E-06	4.0128E-06	1.3855E-06		
17	7.3165E-06	6.9968E-06	6.5350E-06	5.8915E-06	5.0430E-06	4.0128E-06	2.7646E-06	1.0329E-06		
18	2.2730E-06	2.1969E-06	2.0761E-06	1.9051E-06	1.6751E-06	1.3855E-06	1.0329E-06	5.8426E-07		

2 FLUX GROUP 18 PLANE HZ = 165.0000 CM

	1	2	3	4	5	6	7	8	9	10
1	3.0318E-05	3.0228E-05	2.9972E-05	2.9553E-05	2.8873E-05	2.7742E-05	2.6145E-05	2.4333E-05	2.2538E-05	2.0650E-05
2	3.0228E-05	3.0228E-05	3.0061E-05	2.9762E-05	2.9338E-05	2.8558E-05	2.7115E-05	2.5237E-05	2.3373E-05	2.1694E-05
3	2.9972E-05	3.0061E-05	2.9972E-05	2.9762E-05	2.9574E-05	2.9518E-05	2.8646E-05	2.6281E-05	2.4094E-05	2.2224E-05
4	2.9553E-05	2.9762E-05	2.9762E-05	2.9553E-05	2.9338E-05	2.9518E-05	2.9310E-05	2.7748E-05	2.4772E-05	2.2574E-05
5	2.8873E-05	2.9338E-05	2.9574E-05	2.9338E-05	2.8873E-05	2.8558E-05	2.8646E-05	2.7748E-05	2.5104E-05	2.2740E-05
6	2.7742E-05	2.8558E-05	2.9518E-05	2.9518E-05	2.8558E-05	2.7742E-05	2.7115E-05	2.6281E-05	2.4772E-05	2.2740E-05
7	2.6145E-05	2.7115E-05	2.8646E-05	2.9310E-05	2.8646E-05	2.7115E-05	2.6145E-05	2.5237E-05	2.4094E-05	2.2574E-05
8	2.4333E-05	2.5237E-05	2.6281E-05	2.7748E-05	2.7748E-05	2.6281E-05	2.5237E-05	2.4333E-05	2.3373E-05	2.2224E-05
9	2.2538E-05	2.3373E-05	2.4094E-05	2.4772E-05	2.5104E-05	2.4772E-05	2.4094E-05	2.3373E-05	2.2538E-05	2.1694E-05
10	2.0650E-05	2.1694E-05	2.2224E-05	2.2574E-05	2.2740E-05	2.2740E-05	2.2574E-05	2.2224E-05	2.1694E-05	2.0650E-05
11	1.8047E-05	1.9896E-05	2.0859E-05	2.0890E-05	2.0567E-05	2.0521E-05	2.0567E-05	2.0890E-05	2.0859E-05	1.9896E-05
12	1.4776E-05	1.6463E-05	1.8516E-05	1.9000E-05	1.8316E-05	1.8135E-05	1.8135E-05	1.8316E-05	1.9000E-05	1.8516E-05
13	1.1505E-05	1.3009E-05	1.4376E-05	1.5318E-05	1.5558E-05	1.5504E-05	1.5489E-05	1.5504E-05	1.5558E-05	1.5318E-05
14	8.3954E-06	9.8403E-06	1.0928E-05	1.1860E-05	1.2422E-05	1.2574E-05	1.2685E-05	1.2685E-05	1.2574E-05	1.2422E-05
15	5.3604E-06	6.6028E-06	7.8006E-06	8.5446E-06	8.9395E-06	9.4636E-06	9.6083E-06	9.4640E-06	9.6083E-06	9.4636E-06
16	3.0663E-06	3.9911E-06	4.8041E-06	5.4506E-06	5.8866E-06	6.2081E-06	6.4204E-06	6.4731E-06	6.4731E-06	6.2081E-06
17	1.3720E-06	1.9897E-06	2.4981E-06	2.9165E-06	3.2335E-06	3.4597E-06	3.6147E-06	3.6966E-06	3.7181E-06	3.6966E-06
18	2.8991E-07	5.1232E-07	6.8650E-07	8.2915E-07	9.4231E-07	1.0262E-06	1.0851E-06	1.1218E-06	1.1381E-06	1.1381E-06
	11	12	13	14	15	16	17	18		
1	1.8047E-05	1.4776E-05	1.1505E-05	8.3954E-06	5.3604E-06	3.0663E-06	1.3720E-06	2.8991E-07		
2	1.9896E-05	1.6463E-05	1.3009E-05	9.8403E-06	6.6028E-06	3.9911E-06	1.9897E-06	5.1232E-07		
3	2.0859E-05	1.8516E-05	1.4376E-05	1.0928E-05	7.8006E-06	4.8041E-06	2.4981E-06	6.8650E-07		
4	2.0890E-05	1.9000E-05	1.5318E-05	1.1860E-05	8.5446E-06	5.4506E-06	2.9165E-06	8.2915E-07		
5	2.0567E-05	1.8316E-05	1.5558E-05	1.2422E-05	8.9395E-06	5.8866E-06	3.2335E-06	9.4231E-07		
6	2.0521E-05	1.8135E-05	1.5504E-05	1.2574E-05	9.4636E-06	6.2081E-06	3.4597E-06	1.0262E-06		
7	2.0567E-05	1.8135E-05	1.5489E-05	1.2685E-05	9.4636E-06	6.4204E-06	3.6147E-06	1.0851E-06		
8	2.0890E-05	1.8316E-05	1.5504E-05	1.2685E-05	9.4640E-06	6.4731E-06	3.6966E-06	1.1218E-06		
9	2.0859E-05	1.9000E-05	1.5558E-05	1.2574E-05	9.6083E-06	6.4731E-06	3.7181E-06	1.1381E-06		
10	1.9896E-05	1.8516E-05	1.5318E-05	1.2422E-05	9.4636E-06	6.4204E-06	3.6966E-06	1.1381E-06		
11	1.8047E-05	1.6463E-05	1.4376E-05	1.1860E-05	8.9395E-06	6.2081E-06	3.6147E-06	1.1218E-06		
12	1.6463E-05	1.4776E-05	1.3009E-05	1.0928E-05	8.5446E-06	5.8866E-06	3.4597E-06	1.0851E-06		
13	1.4376E-05	1.3009E-05	1.1505E-05	9.8403E-06	7.8006E-06	5.4506E-06	3.2335E-06	1.0262E-06		
14	1.1860E-05	1.0928E-05	9.8403E-06	8.3954E-06	6.6028E-06	4.8041E-06	2.9165E-06	9.4231E-07		
15	8.9395E-06	8.5446E-06	7.8006E-06	6.6028E-06	5.3604E-06	3.9911E-06	2.4981E-06	8.2915E-07		
16	6.2081E-06	5.8866E-06	5.4506E-06	4.8041E-06	4.8041E-06	3.9911E-06	2.4981E-06	8.2915E-07		
17	3.6147E-06	3.4597E-06	3.2335E-06	2.9165E-06	2.9165E-06	3.0663E-06	1.9897E-06	6.8650E-07		
18	1.1218E-06	1.0851E-06	1.0262E-06	9.4231E-07	8.2915E-07	6.8650E-07	5.1232E-07	2.8991E-07		

2 FLUX GROUP 19 PLANE HZ = 175.00000 CM

	1	2	3	4	5	6	7	8	9	10
1	6.9647E-06	6.9479E-06	6.9047E-06	6.8487E-06	6.7409E-06	6.4854E-06	6.0869E-06	5.6896E-06	5.4484E-06	5.1414E-06
2	6.9479E-06	6.9479E-06	6.9202E-06	6.8958E-06	6.9352E-06	6.8578E-06	6.4330E-06	5.9041E-06	5.6122E-06	5.9975E-06
3	6.9047E-06	6.9202E-06	6.9047E-06	6.8958E-06	7.0813E-06	8.1374E-06	7.9178E-06	6.3412E-06	5.7280E-06	6.1141E-06
4	6.8487E-06	6.8958E-06	6.8958E-06	6.8487E-06	6.9352E-06	8.1374E-06	9.0651E-06	7.6903E-06	5.9121E-06	5.4217E-06
5	6.7409E-06	6.9352E-06	7.0813E-06	6.9352E-06	6.7409E-06	6.8578E-06	7.9178E-06	7.6903E-06	6.0605E-06	5.3211E-06
6	6.4854E-06	6.8578E-06	8.1374E-06	8.1374E-06	6.8578E-06	6.4854E-06	6.4330E-06	6.3412E-06	5.9121E-06	5.3211E-06
7	6.0869E-06	6.4330E-06	7.9178E-06	9.0651E-06	7.9178E-06	6.4330E-06	6.0869E-06	5.9041E-06	5.7280E-06	5.4217E-06
8	5.6896E-06	5.9041E-06	6.3412E-06	7.6903E-06	7.6903E-06	6.3412E-06	5.9041E-06	5.6896E-06	5.6122E-06	6.1141E-06
9	5.4484E-06	5.6122E-06	5.7280E-06	5.9121E-06	6.0605E-06	5.9121E-06	5.7280E-06	5.6122E-06	5.4484E-06	5.9975E-06
10	5.1414E-06	5.9975E-06	6.1141E-06	5.4217E-06	5.3211E-06	5.3211E-06	5.4217E-06	6.1141E-06	5.9975E-06	5.1414E-06
11	4.3953E-06	5.5324E-06	6.4552E-06	5.7622E-06	4.8669E-06	4.7664E-06	4.8669E-06	5.7622E-06	6.4552E-06	5.5324E-06
12	3.4567E-06	3.9866E-06	5.1511E-06	5.2708E-06	4.3998E-06	4.2054E-06	4.2054E-06	4.3998E-06	5.2708E-06	5.1511E-06
13	2.6238E-06	3.0101E-06	3.4082E-06	3.6836E-06	3.6771E-06	3.5772E-06	3.5772E-06	3.6771E-06	3.6771E-06	3.6836E-06
14	1.7809E-06	2.1698E-06	2.4813E-06	2.6503E-06	2.7742E-06	2.8511E-06	2.8028E-06	2.8028E-06	2.8511E-06	2.7742E-06
15	1.0726E-06	1.3400E-06	1.6469E-06	1.8067E-06	1.8352E-06	2.0004E-06	2.0273E-06	1.9358E-06	2.0273E-06	2.0004E-06
16	6.0591E-07	7.9152E-07	9.6007E-07	1.0947E-06	1.1784E-06	1.2428E-06	1.2889E-06	1.2943E-06	1.2889E-06	1.2943E-06
17	2.7048E-07	3.9253E-07	4.9370E-07	5.7747E-07	6.4040E-07	6.8489E-07	7.1575E-07	7.3176E-07	7.3559E-07	7.3176E-07
18	5.7204E-08	1.0108E-07	1.3555E-07	1.6390E-07	1.8639E-07	2.0297E-07	2.1460E-07	2.2184E-07	2.2499E-07	2.2499E-07
	11	12	13	14	15	16	17	18		
1	4.3953E-06	3.4567E-06	2.6238E-06	1.7809E-06	1.0726E-06	6.0591E-07	2.7048E-07	5.7204E-08		
2	5.5324E-06	3.9866E-06	3.0101E-06	2.1698E-06	1.3400E-06	7.9152E-07	3.9253E-07	1.0108E-07		
3	6.4552E-06	5.1511E-06	3.4082E-06	2.4813E-06	1.6469E-06	9.6007E-07	4.9370E-07	1.3555E-07		
4	5.7622E-06	5.2708E-06	3.6836E-06	2.6503E-06	1.8067E-06	1.0947E-06	5.7747E-07	1.6390E-07		
5	4.8669E-06	4.3998E-06	3.6771E-06	2.7742E-06	1.8352E-06	1.1784E-06	6.4040E-07	1.8639E-07		
6	4.7664E-06	4.2054E-06	3.5772E-06	2.8511E-06	2.0004E-06	1.2428E-06	6.8489E-07	2.0297E-07		
7	4.8669E-06	4.2054E-06	3.5481E-06	2.8028E-06	2.0273E-06	1.2889E-06	7.1575E-07	2.1460E-07		
8	5.7622E-06	4.3998E-06	3.5772E-06	2.8028E-06	1.9358E-06	1.2943E-06	7.3176E-07	2.2184E-07		
9	6.4552E-06	5.2708E-06	3.6771E-06	2.8511E-06	2.0273E-06	1.2943E-06	7.3559E-07	2.2499E-07		
10	5.5324E-06	5.1511E-06	3.6836E-06	2.7742E-06	2.0004E-06	1.2889E-06	7.3176E-07	2.2499E-07		
11	4.3953E-06	3.9866E-06	3.4082E-06	2.6503E-06	1.8352E-06	1.2428E-06	7.1575E-07	2.2184E-07		
12	3.9866E-06	3.4567E-06	3.0101E-06	2.4813E-06	1.8067E-06	1.1784E-06	6.8489E-07	2.1460E-07		
13	3.4082E-06	3.0101E-06	2.6238E-06	2.1698E-06	1.6469E-06	1.0947E-06	6.4040E-07	2.0297E-07		
14	2.6503E-06	2.4813E-06	2.1698E-06	1.7809E-06	1.3400E-06	9.6007E-07	5.7747E-07	1.8639E-07		
15	1.8352E-06	1.8067E-06	1.6469E-06	1.3400E-06	1.0726E-06	7.9152E-07	4.9370E-07	1.6390E-07		
16	1.2428E-06	1.1784E-06	1.0947E-06	9.6007E-07	7.9152E-07	6.0591E-07	3.9253E-07	1.3555E-07		
17	7.1575E-07	6.8489E-07	6.4040E-07	5.7747E-07	5.9370E-07	3.9253E-07	2.7048E-07	1.0108E-07		
18	2.2184E-07	2.1460E-07	2.0297E-07	1.8639E-07	1.6390E-07	1.3555E-07	1.0108E-07	5.7204E-08		

3 FLUX GROUP 1 PLANE HZ = 0.0 CM

	1	2	3	4	5	6	7	8	9	10
1	5.6493E-07	5.5641E-07	5.3016E-07	4.8685E-07	4.3726E-07	3.9769E-07	3.6563E-07	3.2077E-07	2.5321E-07	1.9568E-07
2	5.5641E-07	5.5641E-07	5.3857E-07	4.9982E-07	4.3972E-07	3.8605E-07	3.6187E-07	3.3719E-07	2.7867E-07	1.7740E-07
3	5.3016E-07	5.3857E-07	5.3016E-07	4.9982E-07	4.3119E-07	2.9710E-07	2.6629E-07	3.1928E-07	2.9796E-07	1.9571E-07
4	4.8685E-07	4.9982E-07	4.9982E-07	4.8685E-07	4.3972E-07	2.9710E-07	1.7659E-07	2.4014E-07	3.0134E-07	2.6775E-07
5	4.3726E-07	4.3972E-07	4.3119E-07	4.3972E-07	4.3726E-07	3.8605E-07	2.6629E-07	2.4014E-07	2.9548E-07	2.9235E-07
6	3.9769E-07	3.8605E-07	2.9710E-07	2.9710E-07	3.8605E-07	3.9769E-07	3.6187E-07	3.1928E-07	3.0134E-07	2.9235E-07
7	3.6563E-07	3.6187E-07	2.6629E-07	1.7659E-07	2.6629E-07	3.6187E-07	3.6563E-07	3.3719E-07	2.9796E-07	2.6775E-07
8	3.2077E-07	3.3719E-07	3.1928E-07	2.4014E-07	2.4014E-07	3.1928E-07	3.3719E-07	3.2077E-07	2.7867E-07	1.9571E-07
9	2.5321E-07	2.7867E-07	2.9796E-07	3.0134E-07	2.9548E-07	3.0134E-07	2.9796E-07	2.7867E-07	2.5321E-07	1.7740E-07
10	1.9568E-07	1.7740E-07	1.9571E-07	2.6775E-07	2.9235E-07	2.9235E-07	2.6775E-07	1.9571E-07	1.7740E-07	1.9568E-07
11	1.7705E-07	1.4522E-07	1.0786E-07	1.7720E-07	2.5505E-07	2.7204E-07	2.5505E-07	1.7720E-07	1.0786E-07	1.4522E-07
12	1.6940E-07	1.6739E-07	1.3392E-07	1.4681E-07	2.1300E-07	2.4152E-07	2.4152E-07	2.1300E-07	1.4681E-07	1.3392E-07
13	1.4741E-07	1.5792E-07	1.5974E-07	1.6468E-07	1.8522E-07	2.0718E-07	2.1492E-07	2.0718E-07	1.8522E-07	1.6468E-07
14	1.1064E-07	1.2840E-07	1.4037E-07	1.4620E-07	1.5698E-07	1.7137E-07	1.7675E-07	1.7675E-07	1.7137E-07	1.5698E-07
15	7.2710E-08	8.7978E-08	1.0329E-07	1.1184E-07	1.1613E-07	1.2791E-07	1.3358E-07	1.3135E-07	1.3358E-07	1.2791E-07
16	4.2502E-08	5.4792E-08	6.5047E-08	7.3125E-08	7.9001E-08	8.4392E-08	8.8954E-08	9.0847E-08	9.0847E-08	8.8954E-08
17	1.8329E-08	2.6971E-08	3.3575E-08	3.8853E-08	4.2985E-08	4.6300E-08	4.8993E-08	5.0732E-08	5.1295E-08	5.0732E-08
18	2.3423E-09	4.6163E-09	6.1927E-09	7.4187E-09	8.3906E-09	9.1606E-09	9.7776E-09	1.0229E-08	1.0464E-08	1.0464E-08
	11	12	13	14	15	16	17	18		
1	1.7705E-07	1.6940E-07	1.4741E-07	1.1064E-07	7.2710E-08	4.2502E-08	1.8329E-08	2.3423E-09		
2	1.4522E-07	1.6739E-07	1.5792E-07	1.2840E-07	8.7978E-08	5.4792E-08	2.6971E-08	4.6163E-09		
3	1.0786E-07	1.3392E-07	1.5974E-07	1.4037E-07	1.0329E-07	6.5047E-08	3.3575E-08	6.1927E-09		
4	1.7720E-07	1.4681E-07	1.6468E-07	1.4620E-07	1.1184E-07	7.3125E-08	3.8853E-08	7.4187E-09		
5	2.5505E-07	2.1300E-07	1.8522E-07	1.5698E-07	1.1613E-07	7.9001E-08	4.2985E-08	8.3906E-09		
6	2.7204E-07	2.4152E-07	2.0718E-07	1.7137E-07	1.2791E-07	8.4392E-08	4.6300E-08	9.1606E-09		
7	2.5505E-07	2.4152E-07	2.1492E-07	1.7675E-07	1.3358E-07	8.8954E-08	4.8993E-08	9.7776E-09		
8	1.7720E-07	2.1300E-07	2.0718E-07	1.7675E-07	1.3135E-07	9.0847E-08	5.0732E-08	1.0229E-08		
9	1.0786E-07	1.4681E-07	1.8522E-07	1.7137E-07	1.3358E-07	9.0847E-08	5.1295E-08	1.0464E-08		
10	1.4522E-07	1.3392E-07	1.6468E-07	1.5698E-07	1.2791E-07	8.8954E-08	5.0732E-08	1.0464E-08		
11	1.7705E-07	1.6739E-07	1.5974E-07	1.4620E-07	1.1613E-07	8.4392E-08	4.8993E-08	1.0229E-08		
12	1.6739E-07	1.6940E-07	1.5792E-07	1.4037E-07	1.1184E-07	7.9001E-08	4.6300E-08	9.7776E-09		
13	1.5974E-07	1.5792E-07	1.4741E-07	1.2840E-07	1.0329E-07	7.3125E-08	4.2985E-08	9.1606E-09		
14	1.4620E-07	1.4037E-07	1.2840E-07	1.1064E-07	8.7978E-08	6.5047E-08	3.8853E-08	8.3906E-09		
15	1.1613E-07	1.1184E-07	1.0329E-07	8.7978E-08	7.2710E-08	5.4792E-08	3.3575E-08	7.4187E-09		
16	8.4392E-08	7.9001E-08	7.3125E-08	6.5047E-08	5.4792E-08	4.2502E-08	2.6971E-08	6.1927E-09		
17	4.8993E-08	4.6300E-08	4.2985E-08	3.8853E-08	3.3575E-08	2.6971E-08	1.8329E-08	4.6163E-09		
18	1.0229E-08	9.7776E-09	9.1606E-09	8.3906E-09	7.4187E-09	6.1927E-09	4.6163E-09	2.3423E-09		

3 FLUX GROUP 2 PLANE HZ = 10.0000 CM

	1	2	3	4	5	6	7	8	9	10
1	3.9859E-06	3.9253E-06	3.7383E-06	3.4294E-06	3.0763E-06	2.7964E-06	2.5710E-06	2.2528E-06	1.7724E-06	1.3651E-06
2	3.9253E-06	3.9253E-06	3.7982E-06	3.5215E-06	3.0932E-06	2.7124E-06	2.5424E-06	2.3689E-06	1.9538E-06	1.2523E-06
3	3.7383E-06	3.7982E-06	3.7383E-06	3.5215E-06	3.0323E-06	2.1080E-06	1.8868E-06	2.2400E-06	2.0904E-06	1.3850E-06
4	3.4294E-06	3.5215E-06	3.5215E-06	3.4294E-06	3.0932E-06	2.1080E-06	1.2622E-06	1.6994E-06	2.1140E-06	1.8781E-06
5	3.0763E-06	3.0932E-06	3.0323E-06	3.0932E-06	3.0763E-06	2.7124E-06	1.8868E-06	1.6994E-06	2.0726E-06	2.0536E-06
6	2.7964E-06	2.7124E-06	2.1080E-06	2.1080E-06	2.7124E-06	2.7964E-06	2.5424E-06	2.2400E-06	2.1140E-06	2.0536E-06
7	2.5710E-06	2.5424E-06	1.8868E-06	1.2622E-06	1.8868E-06	2.5424E-06	2.5710E-06	2.3689E-06	2.0904E-06	1.8781E-06
8	2.2528E-06	2.3689E-06	2.2400E-06	1.6994E-06	1.6994E-06	2.2400E-06	2.3689E-06	2.2528E-06	1.9538E-06	1.3850E-06
9	1.7724E-06	1.9538E-06	2.0904E-06	2.1140E-06	2.0726E-06	2.1140E-06	2.0904E-06	1.9538E-06	1.7724E-06	1.2523E-06
10	1.3651E-06	1.2523E-06	1.3850E-06	1.8781E-06	2.0536E-06	2.0536E-06	1.8781E-06	1.3850E-06	1.2523E-06	1.3651E-06
11	1.2370E-06	1.0231E-06	7.6831E-07	1.2544E-06	1.7914E-06	1.9133E-06	1.7914E-06	1.2544E-06	7.6831E-07	1.0231E-06
12	1.1902E-06	1.1725E-06	9.4621E-07	1.0391E-06	1.4961E-06	1.7005E-06	1.7005E-06	1.4961E-06	1.0391E-06	9.4621E-07
13	1.0474E-06	1.1149E-06	1.1255E-06	1.1611E-06	1.3062E-06	1.4640E-06	1.5214E-06	1.4640E-06	1.3062E-06	1.1611E-06
14	8.2968E-07	9.3576E-07	1.0019E-06	1.0617E-06	1.1399E-06	1.2235E-06	1.2856E-06	1.2856E-06	1.2235E-06	1.1399E-06
15	5.6784E-07	6.8102E-07	7.7702E-07	8.4106E-07	8.9342E-07	9.6162E-07	1.0048E-06	1.0112E-06	1.0048E-06	9.6162E-07
16	3.3423E-07	4.3006E-07	5.0815E-07	5.6947E-07	6.1656E-07	6.5851E-07	6.9272E-07	7.0919E-07	7.0919E-07	6.9272E-07
17	1.4389E-07	2.1191E-07	2.6353E-07	3.0459E-07	3.3690E-07	3.6296E-07	3.8398E-07	3.9766E-07	4.0221E-07	3.9766E-07
18	1.8113E-08	3.5789E-08	4.8014E-08	5.7470E-08	6.4962E-08	7.0919E-08	7.5694E-08	7.9189E-08	8.1020E-08	8.1020E-08
	11	12	13	14	15	16	17	18		
1	1.2370E-06	1.1902E-06	1.0474E-06	8.2968E-07	5.6784E-07	3.3423E-07	1.4389E-07	1.8113E-08		
2	1.0231E-06	1.1725E-06	1.1149E-06	9.3576E-07	6.8102E-07	4.3006E-07	2.1191E-07	3.5789E-08		
3	7.6831E-07	9.4621E-07	1.1255E-06	1.0019E-06	7.7702E-07	5.0815E-07	2.6353E-07	4.8014E-08		
4	1.2544E-06	1.0391E-06	1.1611E-06	1.0617E-06	8.4106E-07	5.6947E-07	3.0459E-07	5.7470E-08		
5	1.7914E-06	1.4961E-06	1.3062E-06	1.1399E-06	8.9342E-07	6.1656E-07	3.3690E-07	6.4962E-08		
6	1.9133E-06	1.7005E-06	1.4640E-06	1.2235E-06	9.6162E-07	6.5851E-07	3.6296E-07	7.0919E-08		
7	1.7914E-06	1.7005E-06	1.5214E-06	1.2856E-06	1.0048E-06	6.9272E-07	3.8398E-07	7.5694E-08		
8	1.2544E-06	1.4961E-06	1.4640E-06	1.2856E-06	1.0112E-06	7.0919E-07	3.9766E-07	7.9189E-08		
9	7.6831E-07	1.0391E-06	1.3062E-06	1.2235E-06	1.0048E-06	7.0919E-07	4.0221E-07	8.1020E-08		
10	1.0231E-06	9.4621E-07	1.1611E-06	1.1399E-06	9.6162E-07	6.9272E-07	3.9766E-07	8.1020E-08		
11	1.2370E-06	1.1725E-06	1.1255E-06	1.0617E-06	8.9342E-07	6.5851E-07	3.8398E-07	7.9189E-08		
12	1.1725E-06	1.1902E-06	1.1149E-06	1.0019E-06	8.4106E-07	6.1656E-07	3.6296E-07	7.5694E-08		
13	1.1255E-06	1.1149E-06	1.0474E-06	9.3576E-07	7.7702E-07	5.6947E-07	3.3690E-07	7.0919E-08		
14	1.0617E-06	1.0019E-06	9.3576E-07	8.2968E-07	6.8102E-07	5.0815E-07	3.0459E-07	6.4962E-08		
15	8.9342E-07	8.4106E-07	7.7702E-07	6.8102E-07	5.6784E-07	4.3006E-07	2.6353E-07	5.7470E-08		
16	6.5851E-07	6.1656E-07	5.6947E-07	5.0815E-07	4.3006E-07	3.3423E-07	2.1191E-07	4.8014E-08		
17	3.8398E-07	3.6296E-07	3.3690E-07	3.0459E-07	2.6353E-07	2.1191E-07	1.4389E-07	3.5789E-08		
18	7.9189E-08	7.5694E-08	7.0919E-08	6.4962E-08	5.7470E-08	4.8014E-08	3.5789E-08	1.8113E-08		

3 FLUX GROUP 3 PLANE HZ = 20.0000 CM

	1	2	3	4	5	6	7	8	9	10
1	8.0674E-06	7.9529E-06	7.5984E-06	7.0070E-06	6.3214E-06	5.7642E-06	5.2966E-06	4.6347E-06	3.6480E-06	2.8122E-06
2	7.9529E-06	7.9529E-06	7.7121E-06	7.1832E-06	6.3515E-06	5.6011E-06	5.2533E-06	4.8830E-06	4.0238E-06	2.5870E-06
3	7.5984E-06	7.7121E-06	7.5984E-06	7.1832E-06	6.2291E-06	4.3777E-06	3.9349E-06	4.6439E-06	4.3151E-06	2.8634E-06
4	7.0070E-06	7.1832E-06	7.1832E-06	7.0070E-06	6.3515E-06	4.3777E-06	2.6546E-06	3.5543E-06	4.3784E-06	3.8733E-06
5	6.3214E-06	6.3515E-06	6.2291E-06	6.3515E-06	6.3214E-06	5.6011E-06	3.9349E-06	3.5543E-06	4.3014E-06	4.2339E-06
6	5.7642E-06	5.6011E-06	4.3777E-06	4.3777E-06	5.6011E-06	5.7642E-06	5.2533E-06	4.6439E-06	4.3784E-06	4.2339E-06
7	5.2966E-06	5.2533E-06	3.9349E-06	2.6546E-06	3.9349E-06	5.2533E-06	5.2966E-06	4.8830E-06	4.3151E-06	3.8733E-06
8	4.6347E-06	4.8830E-06	4.6439E-06	3.5543E-06	3.5543E-06	4.6439E-06	4.8830E-06	4.6347E-06	4.0238E-06	2.8634E-06
9	3.6480E-06	4.0238E-06	4.3151E-06	4.3784E-06	4.3014E-06	4.3784E-06	4.3151E-06	4.0238E-06	3.6480E-06	2.5870E-06
10	2.8122E-06	2.5870E-06	2.8634E-06	3.8733E-06	4.2339E-06	4.2339E-06	3.8733E-06	2.8634E-06	2.5870E-06	2.8122E-06
11	2.5420E-06	2.1123E-06	1.5949E-06	2.5901E-06	3.6809E-06	3.9274E-06	3.6809E-06	2.5901E-06	1.5949E-06	2.1123E-06
12	2.4386E-06	2.4072E-06	1.9523E-06	2.1434E-06	3.0706E-06	3.4827E-06	3.4827E-06	3.0706E-06	2.1434E-06	1.9523E-06
13	2.1471E-06	2.2848E-06	2.3104E-06	2.3865E-06	2.6806E-06	2.9988E-06	3.1148E-06	2.9988E-06	2.6806E-06	2.3865E-06
14	1.7102E-06	1.9237E-06	2.0579E-06	2.1847E-06	2.3455E-06	2.5127E-06	2.6412E-06	2.6412E-06	2.5127E-06	2.3455E-06
15	1.1764E-06	1.4086E-06	1.6041E-06	1.7370E-06	1.8480E-06	1.9863E-06	2.0748E-06	2.0904E-06	2.0748E-06	1.9863E-06
16	6.9359E-07	8.9215E-07	1.0536E-06	1.1807E-06	1.2793E-06	1.3666E-06	1.4371E-06	1.4717E-06	1.4717E-06	1.4371E-06
17	2.9863E-07	4.3989E-07	5.4720E-07	6.3264E-07	7.0012E-07	7.5465E-07	7.9845E-07	8.2696E-07	8.3650E-07	8.2696E-07
18	3.7599E-08	7.4300E-08	9.9719E-08	1.1941E-07	1.3505E-07	1.4752E-07	1.5750E-07	1.6479E-07	1.6862E-07	1.6862E-07
	11	12	13	14	15	16	17	18		
1	2.5420E-06	2.4386E-06	2.1471E-06	1.7102E-06	1.1764E-06	6.9359E-07	2.9863E-07	3.7599E-08		
2	2.1123E-06	2.4072E-06	2.2848E-06	1.9237E-06	1.4086E-06	8.9215E-07	4.3989E-07	7.4300E-08		
3	1.5949E-06	1.9523E-06	2.3104E-06	2.0579E-06	1.6041E-06	1.0536E-06	5.4720E-07	9.9719E-08		
4	2.5901E-06	2.1434E-06	2.3865E-06	2.1847E-06	1.7370E-06	1.1807E-06	6.3264E-07	1.1941E-07		
5	3.6809E-06	3.0706E-06	2.6806E-06	2.3455E-06	1.8480E-06	1.2793E-06	7.0012E-07	1.3505E-07		
6	3.9274E-06	3.4827E-06	2.9988E-06	2.5127E-06	1.9863E-06	1.3666E-06	7.5465E-07	1.4752E-07		
7	3.6809E-06	3.4827E-06	3.1148E-06	2.6412E-06	2.0748E-06	1.4371E-06	7.9845E-07	1.5750E-07		
8	2.5901E-06	3.0706E-06	2.9988E-06	2.6412E-06	2.0904E-06	1.4717E-06	8.2696E-07	1.6479E-07		
9	1.5949E-06	2.1434E-06	2.6806E-06	2.5127E-06	2.0748E-06	1.4717E-06	8.3650E-07	1.6862E-07		
10	2.1123E-06	1.9523E-06	2.3865E-06	2.3455E-06	1.9863E-06	1.4371E-06	8.2696E-07	1.6862E-07		
11	2.5420E-06	2.4072E-06	2.3104E-06	2.1847E-06	1.8480E-06	1.3666E-06	7.9845E-07	1.6479E-07		
12	2.4072E-06	2.4386E-06	2.2848E-06	2.0579E-06	1.7370E-06	1.2793E-06	7.5465E-07	1.5750E-07		
13	2.3104E-06	2.2848E-06	2.1471E-06	1.9237E-06	1.6041E-06	1.1807E-06	7.0012E-07	1.4752E-07		
14	2.1847E-06	2.0579E-06	1.9237E-06	1.7102E-06	1.4086E-06	1.0536E-06	6.3264E-07	1.3505E-07		
15	1.8480E-06	1.7370E-06	1.6041E-06	1.4086E-06	1.1764E-06	8.9215E-07	5.4720E-07	1.1941E-07		
16	1.3666E-06	1.2793E-06	1.1807E-06	1.0536E-06	8.9215E-07	6.9359E-07	4.3989E-07	9.9719E-08		
17	7.9845E-07	7.5465E-07	7.0012E-07	6.3264E-07	5.4720E-07	4.3989E-07	2.9863E-07	7.4300E-08		
18	1.6479E-07	1.5750E-07	1.4752E-07	1.3505E-07	1.1941E-07	9.9719E-08	7.4300E-08	3.7599E-08		

3 FLUX GROUP 4 PLANE HZ = 30.00000 CM

	1	2	3	4	5	6	7	8	9	10
1	1.2998E-05	1.2837E-05	1.2338E-05	1.1498E-05	1.0497E-05	9.6223E-06	8.8136E-06	7.6824E-06	6.0595E-06	4.6862E-06
2	1.2837E-05	1.2837E-05	1.2499E-05	1.1753E-05	1.0556E-05	9.4316E-06	8.8302E-06	8.1368E-06	6.6924E-06	4.3546E-06
3	1.2338E-05	1.2499E-05	1.2338E-05	1.1753E-05	1.0386E-05	7.5748E-06	6.8711E-06	7.8802E-06	7.2159E-06	4.8256E-06
4	1.1498E-05	1.1753E-05	1.1753E-05	1.1498E-05	1.0556E-05	7.5748E-06	4.8340E-06	6.2514E-06	7.3951E-06	6.4607E-06
5	1.0497E-05	1.0556E-05	1.0386E-05	1.0556E-05	1.0497E-05	9.4316E-06	6.8711E-06	6.2514E-06	7.3141E-06	7.0492E-06
6	9.6223E-06	9.4316E-06	7.5748E-06	7.5748E-06	9.4316E-06	9.6223E-06	8.8302E-06	7.8802E-06	7.3951E-06	7.0492E-06
7	8.8136E-06	8.8302E-06	6.8711E-06	4.8340E-06	6.8711E-06	8.8302E-06	8.8136E-06	8.1368E-06	7.2159E-06	6.4607E-06
8	7.6824E-06	8.1368E-06	7.8802E-06	6.2514E-06	6.2514E-06	7.8802E-06	8.1368E-06	7.6824E-06	6.6924E-06	4.8256E-06
9	6.0595E-06	6.6924E-06	7.2159E-06	7.3951E-06	7.3141E-06	7.3951E-06	7.2159E-06	6.6924E-06	6.0595E-06	4.3546E-06
10	4.6862E-06	4.3546E-06	4.8256E-06	6.4607E-06	7.0492E-06	7.0492E-06	6.4607E-06	4.8256E-06	4.3546E-06	4.6862E-06
11	4.2078E-06	3.5523E-06	2.7365E-06	4.3499E-06	6.0765E-06	6.4617E-06	6.0765E-06	4.3499E-06	2.7365E-06	3.5523E-06
12	4.0034E-06	3.9752E-06	3.2777E-06	3.5941E-06	5.0590E-06	5.7014E-06	5.7014E-06	5.0590E-06	3.5941E-06	3.2777E-06
13	3.5327E-06	3.7538E-06	3.8127E-06	3.9516E-06	4.4170E-06	4.9153E-06	5.0990E-06	4.4170E-06	3.9516E-06	3.8127E-06
14	2.8644E-06	3.1938E-06	3.4033E-06	3.6324E-06	3.8976E-06	4.1498E-06	4.3709E-06	4.3709E-06	3.8976E-06	3.6324E-06
15	2.0001E-06	2.3835E-06	2.6960E-06	2.9210E-06	3.1220E-06	3.3388E-06	3.4847E-06	3.5247E-06	3.4847E-06	3.3388E-06
16	1.1849E-06	1.5222E-06	1.7939E-06	2.0086E-06	2.1796E-06	2.3284E-06	2.4458E-06	2.5063E-06	2.5063E-06	2.4458E-06
17	5.1072E-07	7.5227E-07	9.3576E-07	1.0819E-06	1.1981E-06	1.2923E-06	1.3671E-06	1.4159E-06	1.4325E-06	1.4159E-06
18	6.4379E-08	1.2722E-07	1.7080E-07	2.0462E-07	2.3156E-07	2.5311E-07	2.7032E-07	2.8284E-07	2.8943E-07	2.8943E-07
	11	12	13	14	15	16	17	18		
1	4.2078E-06	4.0034E-06	3.5327E-06	2.8644E-06	2.0001E-06	1.1849E-06	5.1072E-07	6.4379E-08		
2	3.5523E-06	3.9752E-06	3.7538E-06	3.1938E-06	2.3835E-06	1.5222E-06	7.5227E-07	1.2722E-07		
3	2.7365E-06	3.2777E-06	3.8127E-06	3.4033E-06	2.6960E-06	1.7939E-06	9.3576E-07	1.7080E-07		
4	4.3499E-06	3.5941E-06	3.9516E-06	3.6324E-06	2.9210E-06	2.0086E-06	1.0819E-06	2.0462E-07		
5	6.0765E-06	5.0590E-06	4.4170E-06	3.8976E-06	3.1220E-06	2.1796E-06	1.1981E-06	2.3156E-07		
6	6.4617E-06	5.7014E-06	4.9153E-06	4.1498E-06	3.3388E-06	2.3284E-06	1.2923E-06	2.5311E-07		
7	6.0765E-06	5.7014E-06	5.0990E-06	4.3709E-06	3.4847E-06	2.4458E-06	1.3671E-06	2.7032E-07		
8	4.3499E-06	5.0590E-06	4.9153E-06	4.3709E-06	3.5247E-06	2.5063E-06	1.4159E-06	2.8284E-07		
9	2.7365E-06	3.5941E-06	4.4170E-06	4.1498E-06	3.4847E-06	2.5063E-06	1.4325E-06	2.8943E-07		
10	3.5523E-06	3.2777E-06	3.9516E-06	3.8976E-06	3.3388E-06	2.4458E-06	1.4159E-06	2.8943E-07		
11	4.2078E-06	3.9752E-06	3.8127E-06	3.6324E-06	3.1220E-06	2.3284E-06	1.3671E-06	2.8284E-07		
12	3.9752E-06	4.0034E-06	3.7538E-06	3.4033E-06	2.9210E-06	2.1796E-06	1.2923E-06	2.7032E-07		
13	3.8127E-06	3.7538E-06	3.5327E-06	3.1938E-06	2.6960E-06	2.0086E-06	1.1981E-06	2.5311E-07		
14	3.6324E-06	3.4033E-06	3.1938E-06	2.8644E-06	2.3835E-06	1.7939E-06	1.0819E-06	2.3156E-07		
15	3.1220E-06	2.9210E-06	2.6960E-06	2.3835E-06	2.0001E-06	1.5222E-06	9.3576E-07	2.0462E-07		
16	2.3284E-06	2.1796E-06	2.0086E-06	1.7939E-06	1.5222E-06	1.1849E-06	7.5227E-07	1.7080E-07		
17	1.3671E-06	1.2923E-06	1.1981E-06	1.0819E-06	9.3576E-07	7.5227E-07	5.1072E-07	1.2722E-07		
18	2.8284E-07	2.7032E-07	2.5311E-07	2.3156E-07	2.0462E-07	1.7080E-07	1.2722E-07	6.4379E-08		

3 FLUX GROUP 5 PLANE HZ = 40.0000 CM

	1	2	3	4	5	6	7	8	9	10
1	1.6348E-05	1.6186E-05	1.5698E-05	1.4895E-05	1.3888E-05	1.2824E-05	1.1628E-05	1.0035E-05	7.9210E-06	6.1177E-06
2	1.6186E-05	1.6186E-05	1.5857E-05	1.5170E-05	1.4118E-05	1.2996E-05	1.2013E-05	1.0766E-05	8.8065E-06	5.9366E-06
3	1.5698E-05	1.5857E-05	1.5698E-05	1.5170E-05	1.4091E-05	1.2079E-05	1.1186E-05	1.1011E-05	9.6137E-06	6.6207E-06
4	1.4895E-05	1.5170E-05	1.5170E-05	1.4895E-05	1.4118E-05	1.2079E-05	1.0159E-05	1.0367E-05	1.0147E-05	8.5437E-06
5	1.3888E-05	1.4118E-05	1.4091E-05	1.4118E-05	1.3888E-05	1.2996E-05	1.1186E-05	1.0367E-05	1.0256E-05	9.2517E-06
6	1.2824E-05	1.2996E-05	1.2079E-05	1.2079E-05	1.2996E-05	1.2824E-05	1.2013E-05	1.1011E-05	1.0147E-05	9.2517E-06
7	1.1628E-05	1.2013E-05	1.1186E-05	1.0159E-05	1.1186E-05	1.2013E-05	1.1628E-05	1.0766E-05	9.6137E-06	8.5437E-06
8	1.0035E-05	1.0766E-05	1.1011E-05	1.0367E-05	1.0367E-05	1.1011E-05	1.0766E-05	1.0035E-05	8.8065E-06	6.6207E-06
9	7.9210E-06	8.8065E-06	9.6137E-06	1.0147E-05	1.0256E-05	1.0147E-05	9.6137E-06	8.8065E-06	7.9210E-06	5.9366E-06
10	6.1177E-06	5.9366E-06	6.6207E-06	8.5437E-06	9.2517E-06	9.2517E-06	8.5437E-06	6.6207E-06	5.9366E-06	6.1177E-06
11	5.4040E-06	4.8094E-06	4.0127E-06	5.8998E-06	7.7940E-06	8.1961E-06	7.7940E-06	5.8998E-06	4.0127E-06	4.8094E-06
12	5.0656E-06	5.0913E-06	4.4305E-06	4.8462E-06	6.4518E-06	7.1613E-06	7.1613E-06	6.4518E-06	4.8462E-06	4.4305E-06
13	4.5533E-06	4.7855E-06	4.9025E-06	5.1269E-06	5.6592E-06	6.2254E-06	6.4506E-06	6.2254E-06	5.1269E-06	5.1269E-06
14	4.0382E-06	4.3052E-06	4.4590E-06	4.8887E-06	5.2364E-06	5.4152E-06	5.8251E-06	5.8251E-06	5.4152E-06	5.2364E-06
15	3.0088E-06	3.5218E-06	3.8389E-06	4.1595E-06	4.5640E-06	4.7450E-06	4.9447E-06	5.1318E-06	4.9447E-06	4.7450E-06
16	1.8134E-06	2.3174E-06	2.7067E-06	3.0152E-06	3.2847E-06	3.5069E-06	3.6680E-06	3.7708E-06	3.7708E-06	3.6680E-06
17	7.8508E-07	1.1549E-06	1.4335E-06	1.6541E-06	1.8321E-06	1.9773E-06	2.0901E-06	2.1642E-06	2.1906E-06	2.1642E-06
18	9.9140E-08	1.9582E-07	2.6267E-07	3.1434E-07	3.5559E-07	3.8886E-07	4.1531E-07	4.3438E-07	4.4453E-07	4.4453E-07
	11	12	13	14	15	16	17	18		
1	5.4040E-06	5.0656E-06	4.5533E-06	4.0382E-06	3.0088E-06	1.8134E-06	7.8508E-07	9.9140E-08		
2	4.8094E-06	5.0913E-06	4.7855E-06	4.3052E-06	3.5218E-06	2.3174E-06	1.1549E-06	1.9582E-07		
3	4.0127E-06	4.4305E-06	4.9025E-06	4.4590E-06	3.8389E-06	2.7067E-06	1.4335E-06	2.6267E-07		
4	5.8998E-06	4.8462E-06	5.1269E-06	4.8887E-06	4.1595E-06	3.0152E-06	1.6541E-06	3.1434E-07		
5	7.7940E-06	6.4518E-06	5.6592E-06	5.2364E-06	4.5640E-06	3.2847E-06	1.8321E-06	3.5559E-07		
6	8.1961E-06	7.1613E-06	6.2254E-06	5.4152E-06	4.7450E-06	3.5069E-06	1.9773E-06	3.8886E-07		
7	7.7940E-06	7.1613E-06	6.4506E-06	5.8251E-06	4.9447E-06	3.6680E-06	2.0901E-06	4.1531E-07		
8	5.8998E-06	6.4518E-06	6.2254E-06	5.8251E-06	5.1318E-06	3.7708E-06	2.1642E-06	4.3438E-07		
9	4.0127E-06	4.8462E-06	5.6592E-06	5.4152E-06	4.9447E-06	3.7708E-06	2.1906E-06	4.4453E-07		
10	4.8094E-06	4.4305E-06	5.1269E-06	5.2364E-06	4.7450E-06	3.6680E-06	2.1642E-06	4.4453E-07		
11	5.4040E-06	5.0913E-06	4.9025E-06	4.8887E-06	4.5640E-06	3.5069E-06	2.0901E-06	4.3438E-07		
12	5.0656E-06	5.0656E-06	4.7855E-06	4.4590E-06	4.1595E-06	3.2847E-06	1.9773E-06	4.1531E-07		
13	4.9025E-06	4.7855E-06	4.5533E-06	4.3052E-06	3.8389E-06	3.0152E-06	1.8321E-06	3.8886E-07		
14	4.8887E-06	4.4590E-06	4.3052E-06	4.0382E-06	3.5218E-06	2.7067E-06	1.6541E-06	3.5559E-07		
15	4.5640E-06	4.1595E-06	3.8389E-06	3.5218E-06	3.0088E-06	2.3174E-06	1.4335E-06	3.1434E-07		
16	3.5069E-06	3.2847E-06	3.0152E-06	2.7067E-06	2.3174E-06	1.8134E-06	1.1549E-06	2.6267E-07		
17	2.0901E-06	1.8321E-06	1.8321E-06	1.6541E-06	1.4335E-06	1.1549E-06	7.8508E-07	1.9582E-07		
18	4.3438E-07	4.1531E-07	3.8886E-07	3.5559E-07	3.1434E-07	2.6267E-07	1.9582E-07	9.9140E-08		

3 FLUX GROUP 6 PLANE HZ = 49.50000 CM

	1	2	3	4	5	6	7	8	9	10
1	1.8126E-05	1.7980E-05	1.7556E-05	1.6898E-05	1.6026E-05	1.4884E-05	1.3390E-05	1.1479E-05	9.0906E-06	7.0244E-06
2	1.7980E-05	1.7980E-05	1.7696E-05	1.7168E-05	1.6479E-05	1.5562E-05	1.4216E-05	1.2438E-05	1.0158E-05	7.1315E-06
3	1.7556E-05	1.7696E-05	1.7556E-05	1.7168E-05	1.6679E-05	1.6509E-05	1.5516E-05	1.3348E-05	1.1186E-05	7.9858E-06
4	1.6898E-05	1.7168E-05	1.7168E-05	1.6898E-05	1.6479E-05	1.6509E-05	1.6553E-05	1.4578E-05	1.2108E-05	9.8913E-06
5	1.6026E-05	1.6479E-05	1.6679E-05	1.6479E-05	1.6026E-05	1.5562E-05	1.5516E-05	1.4578E-05	1.2473E-05	1.0615E-05
6	1.4884E-05	1.5562E-05	1.6509E-05	1.6509E-05	1.5562E-05	1.4884E-05	1.4216E-05	1.3348E-05	1.2108E-05	1.0615E-05
7	1.3390E-05	1.4216E-05	1.5516E-05	1.6553E-05	1.5516E-05	1.4216E-05	1.3390E-05	1.2438E-05	1.1186E-05	9.8913E-06
8	1.1479E-05	1.2438E-05	1.3348E-05	1.4578E-05	1.4578E-05	1.3348E-05	1.2438E-05	1.1479E-05	1.0158E-05	7.9858E-06
9	9.0906E-06	1.0158E-05	1.1186E-05	1.2108E-05	1.2473E-05	1.2108E-05	1.1186E-05	1.0158E-05	9.0906E-06	7.1315E-06
10	7.0244E-06	7.1315E-06	7.9858E-06	9.8913E-06	1.0615E-05	1.0615E-05	9.8913E-06	7.9858E-06	7.1315E-06	7.0244E-06
11	6.1198E-06	5.7555E-06	5.2065E-06	7.0561E-06	8.7821E-06	9.1265E-06	8.7821E-06	7.0561E-06	5.2065E-06	5.7555E-06
12	5.6674E-06	5.7598E-06	5.3041E-06	5.7832E-06	7.2525E-06	7.9250E-06	7.9250E-06	7.2525E-06	5.7832E-06	5.3041E-06
13	5.2183E-06	5.4080E-06	5.5823E-06	5.8880E-06	6.4135E-06	6.9735E-06	7.2211E-06	6.9735E-06	6.4135E-06	5.8880E-06
14	5.1113E-06	5.1920E-06	5.2016E-06	5.8735E-06	6.2773E-06	6.2834E-06	6.9298E-06	6.9298E-06	6.2834E-06	6.2773E-06
15	4.0608E-06	4.6735E-06	4.9049E-06	5.3115E-06	5.9866E-06	6.0432E-06	6.2882E-06	6.7044E-06	6.2882E-06	6.0432E-06
16	2.4869E-06	3.1624E-06	3.6622E-06	4.0583E-06	4.4352E-06	4.7310E-06	4.9276E-06	5.0803E-06	5.0803E-06	4.9276E-06
17	1.0814E-06	1.5885E-06	1.9671E-06	2.2646E-06	2.5075E-06	2.7069E-06	2.8582E-06	2.9583E-06	2.9583E-06	2.7069E-06
18	1.3674E-07	2.6994E-07	3.6166E-07	4.3216E-07	4.8849E-07	5.3419E-07	5.7030E-07	5.9613E-07	6.1002E-07	6.1002E-07
	11	12	13	14	15	16	17	18		
1	6.1198E-06	5.6674E-06	5.2183E-06	5.1113E-06	4.0608E-06	2.4869E-06	1.0814E-06	1.3674E-07		
2	5.7555E-06	5.7598E-06	5.4080E-06	5.1920E-06	4.6735E-06	3.1624E-06	1.5885E-06	2.6994E-07		
3	5.2065E-06	5.3041E-06	5.5823E-06	5.2016E-06	4.9049E-06	3.6622E-06	1.9671E-06	3.6166E-07		
4	7.0561E-06	5.7832E-06	5.8880E-06	5.8735E-06	5.3115E-06	4.0583E-06	2.2646E-06	4.3216E-07		
5	8.7821E-06	7.2525E-06	6.4135E-06	6.2773E-06	5.9866E-06	4.4352E-06	2.5075E-06	4.8849E-07		
6	9.1265E-06	7.9250E-06	6.9735E-06	6.2834E-06	6.0432E-06	4.7310E-06	2.7069E-06	5.3419E-07		
7	8.7821E-06	7.9250E-06	7.2211E-06	6.9298E-06	6.2882E-06	4.9276E-06	2.8582E-06	5.7030E-07		
8	7.0561E-06	7.2525E-06	6.9735E-06	6.9298E-06	6.7044E-06	5.0803E-06	2.9583E-06	5.9613E-07		
9	5.2065E-06	5.7832E-06	6.4135E-06	6.2834E-06	6.2882E-06	5.0803E-06	2.9955E-06	6.1002E-07		
10	5.7555E-06	5.3041E-06	5.8880E-06	6.2773E-06	6.0432E-06	4.9276E-06	2.9583E-06	6.1002E-07		
11	6.1198E-06	5.7598E-06	5.5823E-06	5.8735E-06	5.9866E-06	4.7310E-06	2.8582E-06	5.9613E-07		
12	5.7598E-06	5.6674E-06	5.4080E-06	5.2016E-06	5.3115E-06	4.4352E-06	2.7069E-06	5.7030E-07		
13	5.5823E-06	5.4080E-06	5.2183E-06	5.1920E-06	4.9049E-06	4.0583E-06	2.5075E-06	5.3419E-07		
14	5.8735E-06	5.2016E-06	5.1920E-06	5.1113E-06	4.6735E-06	3.6622E-06	2.2646E-06	4.8849E-07		
15	5.9866E-06	5.3115E-06	4.9049E-06	4.6735E-06	4.0608E-06	3.1624E-06	1.9671E-06	4.3216E-07		
16	4.7310E-06	4.4352E-06	4.0583E-06	3.6622E-06	3.1624E-06	2.4869E-06	1.5885E-06	3.6166E-07		
17	2.8582E-06	2.7069E-06	2.5075E-06	2.2646E-06	1.9671E-06	1.5885E-06	1.0814E-06	2.6994E-07		
18	5.9613E-07	5.7030E-07	5.3419E-07	4.8849E-07	4.3216E-07	3.6166E-07	2.6994E-07	1.3674E-07		

3 FLUX GROUP 7 PLANE HZ = 59.00000 CM

	1	2	3	4	5	6	7	8	9	10
1	2.1818E-05	2.1659E-05	2.1207E-05	2.0513E-05	1.9566E-05	1.8234E-05	1.6418E-05	1.4100E-05	1.1235E-05	8.7422E-06
2	2.1659E-05	2.1659E-05	2.1357E-05	2.0815E-05	2.0137E-05	1.9142E-05	1.7495E-05	1.5286E-05	1.2530E-05	8.9097E-06
3	2.1207E-05	2.1357E-05	2.1207E-05	2.0815E-05	2.0419E-05	2.0551E-05	1.9392E-05	1.6522E-05	1.3799E-05	9.9528E-06
4	2.0513E-05	2.0815E-05	2.0815E-05	2.0513E-05	2.0137E-05	2.0551E-05	2.0917E-05	1.8285E-05	1.4983E-05	1.2218E-05
5	1.9566E-05	2.0137E-05	2.0419E-05	2.0137E-05	1.9566E-05	1.9142E-05	1.9392E-05	1.8285E-05	1.5473E-05	1.3080E-05
6	1.8234E-05	1.9142E-05	2.0551E-05	2.0551E-05	1.9142E-05	1.8234E-05	1.7495E-05	1.6522E-05	1.4983E-05	1.3080E-05
7	1.6418E-05	1.7495E-05	1.9392E-05	2.0917E-05	1.9392E-05	1.7495E-05	1.6418E-05	1.5286E-05	1.3799E-05	1.2218E-05
8	1.4100E-05	1.5286E-05	1.6522E-05	1.8285E-05	1.8285E-05	1.6522E-05	1.5286E-05	1.4100E-05	1.2530E-05	9.9528E-06
9	1.1235E-05	1.2530E-05	1.3799E-05	1.4983E-05	1.5473E-05	1.4983E-05	1.3799E-05	1.2530E-05	1.1235E-05	8.9097E-06
10	8.7422E-06	8.9097E-06	9.9528E-06	1.2218E-05	1.3080E-05	1.3080E-05	1.2218E-05	9.9528E-06	8.9097E-06	8.7422E-06
11	7.6189E-06	7.2252E-06	6.5923E-06	8.8052E-06	1.0821E-05	1.1215E-05	1.0821E-05	8.8052E-06	6.5923E-06	7.2252E-06
12	7.0383E-06	7.1719E-06	6.6655E-06	7.2466E-06	8.9672E-06	9.7481E-06	9.7481E-06	8.9672E-06	7.2466E-06	6.6655E-06
13	6.5055E-06	6.7273E-06	6.9558E-06	7.3420E-06	7.9596E-06	8.6155E-06	8.9118E-06	8.6155E-06	7.9596E-06	7.3420E-06
14	6.4585E-06	6.5193E-06	6.5050E-06	7.3666E-06	7.8606E-06	7.8249E-06	8.6427E-06	8.6427E-06	7.8249E-06	7.8606E-06
15	5.1750E-06	5.9404E-06	6.2072E-06	6.7187E-06	7.5863E-06	7.6273E-06	7.9272E-06	8.4707E-06	7.9272E-06	7.6273E-06
16	3.1771E-06	4.0370E-06	4.6689E-06	5.1689E-06	5.6486E-06	6.0200E-06	6.2617E-06	6.4549E-06	6.4549E-06	6.2617E-06
17	1.3824E-06	2.0305E-06	2.5137E-06	2.8926E-06	3.2017E-06	3.4546E-06	3.6446E-06	3.7699E-06	3.8168E-06	3.7699E-06
18	1.7490E-07	3.4524E-07	4.6251E-07	5.5255E-07	6.2441E-07	6.8255E-07	7.2822E-07	7.6068E-07	7.7812E-07	7.7812E-07
	11	12	13	14	15	16	17	18		
1	7.6189E-06	7.0383E-06	6.5055E-06	6.4585E-06	5.1750E-06	3.1771E-06	1.3824E-06	1.7490E-07		
2	7.2252E-06	7.1719E-06	6.7273E-06	6.5193E-06	5.9404E-06	4.0370E-06	2.0305E-06	3.4524E-07		
3	6.5923E-06	6.6655E-06	6.9558E-06	6.5050E-06	6.2072E-06	4.6689E-06	2.5137E-06	4.6251E-07		
4	8.8052E-06	7.2466E-06	7.3420E-06	7.3666E-06	6.7187E-06	5.1689E-06	2.8926E-06	5.5255E-07		
5	1.0821E-05	8.9672E-06	7.9596E-06	7.8606E-06	7.5863E-06	5.6486E-06	3.2017E-06	6.2441E-07		
6	1.1215E-05	9.7481E-06	8.6155E-06	7.8249E-06	7.6273E-06	6.0200E-06	3.4546E-06	6.8255E-07		
7	1.0821E-05	9.7481E-06	8.9118E-06	8.6427E-06	7.9272E-06	6.2617E-06	3.6446E-06	7.2822E-07		
8	8.8052E-06	8.9672E-06	8.6155E-06	8.6427E-06	8.4707E-06	6.4549E-06	3.7699E-06	7.6068E-07		
9	6.5923E-06	7.2466E-06	7.9596E-06	7.8249E-06	7.9272E-06	6.4549E-06	3.8168E-06	7.7812E-07		
10	7.2252E-06	6.6655E-06	7.3420E-06	7.8606E-06	7.6273E-06	6.2617E-06	3.7699E-06	7.7812E-07		
11	7.6189E-06	7.1719E-06	6.9558E-06	7.3666E-06	7.5863E-06	6.0200E-06	3.6446E-06	7.6068E-07		
12	7.1719E-06	7.0383E-06	6.7273E-06	6.5050E-06	6.7187E-06	5.6486E-06	3.4546E-06	7.2822E-07		
13	6.9558E-06	6.7273E-06	6.5055E-06	6.5193E-06	6.2072E-06	5.1689E-06	3.2017E-06	6.8255E-07		
14	7.3666E-06	6.5050E-06	6.5193E-06	6.4585E-06	5.9404E-06	4.6689E-06	2.8926E-06	6.2441E-07		
15	7.5863E-06	6.7187E-06	6.2072E-06	5.9404E-06	5.1750E-06	4.0370E-06	2.5137E-06	5.5255E-07		
16	6.0200E-06	5.6486E-06	5.1689E-06	4.6689E-06	4.0370E-06	3.1771E-06	2.0305E-06	4.6251E-07		
17	3.6446E-06	3.4546E-06	3.2017E-06	2.8926E-06	2.5137E-06	2.0305E-06	1.3824E-06	3.4524E-07		
18	7.6068E-07	7.2822E-07	6.8255E-07	6.2441E-07	5.5255E-07	4.6251E-07	3.4524E-07	1.7490E-07		

3 FLUX GROUP 8 PLANE HZ = 68.5000 CM

	1	2	3	4	5	6	7	8	9	10
1	2.5283E-05	2.5109E-05	2.4613E-05	2.3855E-05	2.2814E-05	2.1323E-05	1.9267E-05	1.6633E-05	1.3349E-05	1.0473E-05
2	2.5109E-05	2.5109E-05	2.4778E-05	2.4190E-05	2.3462E-05	2.2367E-05	2.0503E-05	1.7986E-05	1.4834E-05	1.0643E-05
3	2.4613E-05	2.4778E-05	2.4613E-05	2.4190E-05	2.3790E-05	2.4024E-05	2.2725E-05	1.9416E-05	1.6289E-05	1.1839E-05
4	2.3855E-05	2.4190E-05	2.4190E-05	2.3855E-05	2.3462E-05	2.4024E-05	2.4520E-05	2.1478E-05	1.7655E-05	1.4468E-05
5	2.2814E-05	2.3462E-05	2.3790E-05	2.3462E-05	2.2814E-05	2.2367E-05	2.2725E-05	2.1478E-05	1.8222E-05	1.5454E-05
6	2.1323E-05	2.2367E-05	2.4024E-05	2.4024E-05	2.2367E-05	2.1323E-05	2.0503E-05	1.9416E-05	1.7655E-05	1.5454E-05
7	1.9267E-05	2.0503E-05	2.2725E-05	2.4520E-05	2.2725E-05	2.0503E-05	1.9267E-05	1.7986E-05	1.6289E-05	1.4468E-05
8	1.6633E-05	1.7986E-05	1.9416E-05	2.1478E-05	2.1478E-05	1.9416E-05	1.7986E-05	1.6633E-05	1.4834E-05	1.1839E-05
9	1.3349E-05	1.4834E-05	1.6289E-05	1.7655E-05	1.8222E-05	1.7655E-05	1.6289E-05	1.4834E-05	1.3349E-05	1.0643E-05
10	1.0473E-05	1.0643E-05	1.1839E-05	1.4468E-05	1.5454E-05	1.5454E-05	1.4468E-05	1.1839E-05	1.0643E-05	1.0473E-05
11	9.1641E-06	8.6917E-06	7.9162E-06	1.0504E-05	1.2842E-05	1.3288E-05	1.2842E-05	1.0504E-05	7.9162E-06	8.6917E-06
12	8.4609E-06	8.6295E-06	8.0272E-06	8.6939E-06	1.0691E-05	1.1584E-05	1.1584E-05	1.0691E-05	8.6939E-06	8.0272E-06
13	7.8110E-06	8.0813E-06	8.3599E-06	8.8125E-06	9.5180E-06	1.0266E-05	1.0606E-05	1.0266E-05	9.5180E-06	8.8125E-06
14	7.7571E-06	7.8281E-06	7.8084E-06	8.8414E-06	9.4155E-06	9.3448E-06	1.0309E-05	1.0309E-05	9.3448E-06	9.4155E-06
15	6.2151E-06	7.1353E-06	7.4533E-06	8.0648E-06	9.0988E-06	9.1287E-06	9.4733E-06	1.0120E-05	9.4733E-06	9.1287E-06
16	3.8135E-06	4.8470E-06	5.6062E-06	6.2052E-06	6.7767E-06	6.7767E-06	7.2133E-06	7.4926E-06	7.7177E-06	7.4926E-06
17	1.6585E-06	2.4366E-06	3.0172E-06	3.4719E-06	3.8414E-06	4.1413E-06	4.3641E-06	4.5098E-06	4.5642E-06	4.5098E-06
18	2.0985E-07	4.1429E-07	5.5514E-07	6.6331E-07	7.4942E-07	8.1868E-07	8.7260E-07	9.1056E-07	9.3085E-07	9.3085E-07
	11	12	13	14	15	16	17	18		
1	9.1641E-06	8.4609E-06	7.8110E-06	7.7571E-06	6.2151E-06	3.8135E-06	1.6585E-06	2.0985E-07		
2	8.6917E-06	8.6295E-06	8.0813E-06	7.8281E-06	7.1353E-06	4.8470E-06	2.4366E-06	4.1429E-07		
3	7.9162E-06	8.0272E-06	8.3599E-06	7.8084E-06	7.4533E-06	5.6062E-06	3.0172E-06	5.5514E-07		
4	1.0504E-05	8.6939E-06	8.8125E-06	8.8414E-06	8.0648E-06	6.2052E-06	3.4719E-06	6.6331E-07		
5	1.2842E-05	1.0691E-05	9.5180E-06	9.4155E-06	9.0988E-06	6.7767E-06	3.8414E-06	7.4942E-07		
6	1.3288E-05	1.1584E-05	1.0266E-05	9.3448E-06	9.1287E-06	7.2133E-06	4.1413E-06	8.1868E-07		
7	1.2842E-05	1.1584E-05	1.0606E-05	1.0309E-05	9.4733E-06	7.4926E-06	4.3641E-06	8.7260E-07		
8	1.0504E-05	1.0691E-05	1.0266E-05	1.0309E-05	1.0120E-05	7.7177E-06	4.5098E-06	9.1056E-07		
9	7.9162E-06	8.6939E-06	9.5180E-06	9.3448E-06	9.4733E-06	7.7177E-06	4.5642E-06	9.3085E-07		
10	8.6917E-06	8.0272E-06	8.8125E-06	9.4155E-06	9.1287E-06	7.4926E-06	4.5098E-06	9.3085E-07		
11	9.1641E-06	8.6295E-06	8.3599E-06	8.8414E-06	9.0988E-06	7.2133E-06	4.3641E-06	9.1056E-07		
12	8.6295E-06	8.4609E-06	8.0813E-06	7.8084E-06	8.0648E-06	6.7767E-06	4.1413E-06	8.7260E-07		
13	8.3599E-06	8.0813E-06	7.8110E-06	7.8281E-06	7.4533E-06	6.2052E-06	3.8414E-06	8.1868E-07		
14	8.8414E-06	7.8084E-06	7.8281E-06	7.7571E-06	7.1353E-06	5.6062E-06	3.4719E-06	7.4942E-07		
15	9.0988E-06	8.0648E-06	7.4533E-06	7.1353E-06	6.2151E-06	4.8470E-06	3.0172E-06	6.6331E-07		
16	7.2133E-06	6.7767E-06	6.2052E-06	5.6062E-06	4.8470E-06	3.8135E-06	2.4366E-06	5.5514E-07		
17	4.3641E-06	4.1413E-06	3.8414E-06	3.4719E-06	3.8414E-06	3.0172E-06	1.6585E-06	4.1429E-07		
18	9.1056E-07	8.7260E-07	8.1868E-07	7.4942E-07	6.6331E-07	5.5514E-07	4.1429E-07	2.0985E-07		

3 FLUX GROUP 9 PLANE HZ = 78.0000 CM

	1	2	3	4	5	6	7	8	9	10
1	2.7800E-05	2.7617E-05	2.7096E-05	2.6305E-05	2.5219E-05	2.3657E-05	2.1502E-05	1.8747E-05	1.5282E-05	1.2193E-05
2	2.7617E-05	2.7617E-05	2.7269E-05	2.6657E-05	2.5909E-05	2.4771E-05	2.2809E-05	2.0163E-05	1.6852E-05	1.2341E-05
3	2.7096E-05	2.7269E-05	2.7096E-05	2.6657E-05	2.6262E-05	2.6588E-05	2.5226E-05	2.1676E-05	1.8371E-05	1.3601E-05
4	2.6305E-05	2.6657E-05	2.6657E-05	2.6305E-05	2.5909E-05	2.6588E-05	2.7202E-05	2.3913E-05	1.9800E-05	1.6415E-05
5	2.5219E-05	2.5909E-05	2.6262E-05	2.5909E-05	2.5219E-05	2.4771E-05	2.5226E-05	2.3913E-05	2.0394E-05	1.7417E-05
6	2.3657E-05	2.4771E-05	2.6588E-05	2.6588E-05	2.4771E-05	2.3657E-05	2.2809E-05	2.1676E-05	1.9800E-05	1.7417E-05
7	2.1502E-05	2.2809E-05	2.5226E-05	2.7202E-05	2.5226E-05	2.2809E-05	2.1502E-05	2.0163E-05	1.8371E-05	1.6415E-05
8	1.8747E-05	2.0163E-05	2.1676E-05	2.3913E-05	2.3913E-05	2.1676E-05	2.0163E-05	1.8747E-05	1.6852E-05	1.3601E-05
9	1.5282E-05	1.6852E-05	1.8371E-05	1.9800E-05	2.0394E-05	1.9800E-05	1.8371E-05	1.6852E-05	1.5282E-05	1.2341E-05
10	1.2193E-05	1.2341E-05	1.3601E-05	1.6415E-05	1.7417E-05	1.7417E-05	1.6415E-05	1.3601E-05	1.2341E-05	1.2193E-05
11	1.0710E-05	1.0216E-05	9.3128E-06	1.2129E-05	1.4606E-05	1.5046E-05	1.4606E-05	1.2129E-05	9.3128E-06	1.0216E-05
12	9.8109E-06	1.0068E-05	9.4421E-06	1.0149E-05	1.2266E-05	1.3173E-05	1.3173E-05	1.2266E-05	1.0149E-05	9.4421E-06
13	8.9830E-06	9.3303E-06	9.6938E-06	1.0214E-05	1.0944E-05	1.1705E-05	1.2056E-05	1.1705E-05	1.0944E-05	1.0214E-05
14	8.8750E-06	8.9750E-06	8.9709E-06	1.0163E-05	1.0790E-05	1.0656E-05	1.1714E-05	1.1714E-05	1.0656E-05	1.0790E-05
15	7.0880E-06	8.1479E-06	8.5211E-06	9.2235E-06	1.0392E-05	1.0397E-05	1.0761E-05	1.1483E-05	1.0761E-05	1.0397E-05
16	4.3401E-06	5.5211E-06	6.3911E-06	7.0762E-06	7.7229E-06	8.2067E-06	8.5069E-06	8.7504E-06	8.7504E-06	8.5069E-06
17	1.8853E-06	2.7713E-06	3.4339E-06	4.3723E-06	4.9538E-06	4.9538E-06	5.1118E-06	5.1118E-06	5.1118E-06	5.1118E-06
18	2.3852E-07	4.7101E-07	6.3151E-07	7.5492E-07	8.5292E-07	9.3109E-07	9.9109E-07	1.0327E-06	1.0547E-06	1.0547E-06
	11	12	13	14	15	16	17	18		
1	1.0710E-05	9.8109E-06	8.9830E-06	8.8750E-06	7.0880E-06	4.3401E-06	1.8853E-06	2.3852E-07		
2	1.0216E-05	1.0068E-05	9.3303E-06	8.9750E-06	8.1479E-06	5.5211E-06	2.7713E-06	4.7101E-07		
3	9.3128E-06	9.4421E-06	9.6938E-06	8.9709E-06	8.5211E-06	6.3911E-06	3.4339E-06	6.3151E-07		
4	1.2129E-05	1.0149E-05	1.0214E-05	1.0163E-05	9.2235E-06	7.0762E-06	3.9529E-06	7.5492E-07		
5	1.4606E-05	1.2266E-05	1.0944E-05	1.0790E-05	1.0392E-05	7.7229E-06	4.3723E-06	8.5292E-07		
6	1.5046E-05	1.3173E-05	1.1705E-05	1.0656E-05	1.0397E-05	8.2067E-06	4.7084E-06	9.3109E-07		
7	1.4606E-05	1.3173E-05	1.2056E-05	1.1714E-05	1.0761E-05	8.5069E-06	4.9538E-06	9.9109E-07		
8	1.2129E-05	1.2266E-05	1.1705E-05	1.1714E-05	1.1483E-05	8.7504E-06	5.1118E-06	1.0327E-06		
9	9.3128E-06	1.0149E-05	1.0944E-05	1.0656E-05	1.0761E-05	8.7504E-06	5.1706E-06	1.0547E-06		
10	1.0216E-05	9.4421E-06	1.0214E-05	1.0790E-05	1.0397E-05	8.5069E-06	5.1118E-06	1.0547E-06		
11	1.0710E-05	1.0068E-05	9.6938E-06	1.0163E-05	1.0392E-05	8.2067E-06	4.9538E-06	1.0327E-06		
12	1.0068E-05	9.8109E-06	9.3303E-06	8.9709E-06	9.2235E-06	7.7229E-06	4.7084E-06	9.9109E-07		
13	9.6938E-06	9.3303E-06	8.9830E-06	8.9750E-06	8.5211E-06	7.0762E-06	4.3723E-06	9.3109E-07		
14	1.0163E-05	8.9709E-06	8.9750E-06	8.8750E-06	8.1479E-06	6.3911E-06	3.9529E-06	8.5292E-07		
15	1.0392E-05	9.2235E-06	8.5211E-06	8.1479E-06	7.0880E-06	5.5211E-06	3.4339E-06	7.5492E-07		
16	8.2067E-06	7.7229E-06	7.0762E-06	6.3911E-06	5.5211E-06	4.3401E-06	2.7713E-06	6.3151E-07		
17	4.9538E-06	4.3723E-06	4.3723E-06	3.9529E-06	3.4339E-06	4.7101E-07	1.8853E-06	4.7101E-07		
18	1.0327E-06	9.9109E-07	9.3109E-07	8.5292E-07	7.5492E-07	6.3151E-07	4.7101E-07	2.3852E-07		

3 FLUX GROUP 10 PLANE HZ = 87.50000 CM

	1	2	3	4	5	6	7	8	9	10
1	2.9051E-05	2.8868E-05	2.8352E-05	2.7572E-05	2.6509E-05	2.4987E-05	2.2923E-05	2.0394E-05	1.7355E-05	1.4492E-05
2	2.8868E-05	2.8868E-05	2.8523E-05	2.7921E-05	2.7199E-05	2.6098E-05	2.4187E-05	2.1689E-05	1.8806E-05	1.5297E-05
3	2.8352E-05	2.8523E-05	2.8352E-05	2.7921E-05	2.7561E-05	2.7987E-05	2.6659E-05	2.3124E-05	2.0097E-05	1.6460E-05
4	2.7572E-05	2.7921E-05	2.7921E-05	2.7572E-05	2.7199E-05	2.7987E-05	2.8721E-05	2.5376E-05	2.1290E-05	1.8244E-05
5	2.6509E-05	2.7199E-05	2.7561E-05	2.7199E-05	2.6509E-05	2.6098E-05	2.6659E-05	2.5376E-05	2.1813E-05	1.8866E-05
6	2.4987E-05	2.6098E-05	2.7987E-05	2.7987E-05	2.6098E-05	2.4987E-05	2.4187E-05	2.3124E-05	2.1290E-05	1.8866E-05
7	2.2923E-05	2.4187E-05	2.6659E-05	2.8721E-05	2.6659E-05	2.4187E-05	2.2923E-05	2.1689E-05	2.0097E-05	1.8244E-05
8	2.0394E-05	2.1689E-05	2.3124E-05	2.5376E-05	2.5376E-05	2.3124E-05	2.1689E-05	2.0394E-05	1.8806E-05	1.6460E-05
9	1.7355E-05	1.8806E-05	2.0097E-05	2.1290E-05	2.1813E-05	2.1290E-05	2.0097E-05	1.8806E-05	1.7355E-05	1.5297E-05
10	1.4492E-05	1.5297E-05	1.6460E-05	1.8244E-05	1.8866E-05	1.8866E-05	1.8244E-05	1.6460E-05	1.5297E-05	1.4492E-05
11	1.2628E-05	1.3113E-05	1.3443E-05	1.4905E-05	1.6196E-05	1.6398E-05	1.6196E-05	1.4905E-05	1.3443E-05	1.3113E-05
12	1.1129E-05	1.1784E-05	1.2183E-05	1.2865E-05	1.3913E-05	1.4445E-05	1.4445E-05	1.3913E-05	1.2865E-05	1.2183E-05
13	9.9411E-06	1.0452E-05	1.1099E-05	1.1799E-05	1.2354E-05	1.2867E-05	1.3144E-05	1.2867E-05	1.2354E-05	1.1799E-05
14	9.7018E-06	9.8609E-06	9.9250E-06	1.1293E-05	1.1937E-05	1.1668E-05	1.2729E-05	1.2729E-05	1.1668E-05	1.1937E-05
15	7.7006E-06	8.8735E-06	9.3079E-06	1.0095E-05	1.1358E-05	1.1320E-05	1.1663E-05	1.2420E-05	1.1663E-05	1.1320E-05
16	4.6993E-06	5.9867E-06	6.9409E-06	7.6932E-06	8.3937E-06	8.9015E-06	9.2010E-06	9.4452E-06	9.4452E-06	9.2010E-06
17	2.0376E-06	2.9978E-06	3.7186E-06	4.2842E-06	4.7388E-06	5.0972E-06	5.3523E-06	5.5127E-06	5.5127E-06	5.0972E-06
18	2.5775E-07	5.0918E-07	6.8330E-07	8.1753E-07	9.2396E-07	1.0080E-06	1.0714E-06	1.1143E-06	1.1366E-06	1.1366E-06
	11	12	13	14	15	16	17	18		
1	1.2628E-05	1.1129E-05	9.9411E-06	9.7018E-06	7.7006E-06	4.6993E-06	2.0376E-06	2.5775E-07		
2	1.3113E-05	1.1784E-05	1.0452E-05	9.8609E-06	8.8735E-06	5.9867E-06	2.9978E-06	5.0918E-07		
3	1.3443E-05	1.2183E-05	1.1099E-05	9.9250E-06	9.3079E-06	6.9409E-06	3.7186E-06	6.8330E-07		
4	1.4905E-05	1.2865E-05	1.1799E-05	1.1293E-05	1.0095E-05	7.6932E-06	4.2842E-06	8.1753E-07		
5	1.6196E-05	1.3913E-05	1.2354E-05	1.1937E-05	1.1358E-05	8.3937E-06	4.7388E-06	9.2396E-07		
6	1.6398E-05	1.4445E-05	1.2867E-05	1.1668E-05	1.1320E-05	8.9015E-06	5.0972E-06	1.0080E-06		
7	1.6196E-05	1.4445E-05	1.3144E-05	1.2729E-05	1.1663E-05	9.2010E-06	5.3523E-06	1.0714E-06		
8	1.4905E-05	1.3913E-05	1.2867E-05	1.2729E-05	1.2420E-05	9.4452E-06	5.5127E-06	1.1143E-06		
9	1.3443E-05	1.2865E-05	1.2354E-05	1.1668E-05	1.1663E-05	9.4452E-06	5.5719E-06	1.1366E-06		
10	1.3113E-05	1.2183E-05	1.1799E-05	1.1937E-05	1.1320E-05	9.2010E-06	5.5127E-06	1.1366E-06		
11	1.2628E-05	1.1784E-05	1.1099E-05	1.1293E-05	1.1358E-05	8.9015E-06	5.3523E-06	1.1143E-06		
12	1.1784E-05	1.1129E-05	1.0452E-05	9.9250E-06	1.0095E-05	8.3937E-06	5.0972E-06	1.0714E-06		
13	1.1099E-05	1.0452E-05	9.9411E-06	9.8609E-06	9.3079E-06	7.6932E-06	4.7388E-06	1.0080E-06		
14	1.1293E-05	9.9250E-06	9.8609E-06	9.7018E-06	8.8735E-06	6.9409E-06	4.2842E-06	9.2396E-07		
15	1.1358E-05	1.0095E-05	9.3079E-06	8.8735E-06	7.7006E-06	5.9867E-06	3.7186E-06	8.1753E-07		
16	8.9015E-06	8.3937E-06	7.6932E-06	6.9409E-06	5.9867E-06	4.6993E-06	2.9978E-06	6.8330E-07		
17	5.3523E-06	5.0972E-06	4.7388E-06	4.2842E-06	3.7186E-06	2.9978E-06	2.0376E-06	5.0918E-07		
18	1.1143E-06	1.0714E-06	1.0080E-06	9.2396E-07	8.1753E-07	6.8330E-07	5.0918E-07	2.5775E-07		

3 FLUX GROUP 11 PLANE HZ = 97.00000 CM

	1	2	3	4	5	6	7	8	9	10
1	2.8879E-05	2.8706E-05	2.8220E-05	2.7493E-05	2.6508E-05	2.5106E-05	2.3256E-05	2.1144E-05	1.8854E-05	1.6464E-05
2	2.8706E-05	2.8706E-05	2.8381E-05	2.7821E-05	2.7165E-05	2.6158E-05	2.4403E-05	2.2220E-05	2.0080E-05	1.8310E-05
3	2.8220E-05	2.8381E-05	2.8220E-05	2.7821E-05	2.7517E-05	2.8030E-05	2.6808E-05	2.3480E-05	2.0995E-05	1.9310E-05
4	2.7493E-05	2.7821E-05	2.7821E-05	2.7493E-05	2.7165E-05	2.8030E-05	2.8857E-05	2.5624E-05	2.1797E-05	1.9394E-05
5	2.6508E-05	2.7165E-05	2.7517E-05	2.7165E-05	2.6508E-05	2.6158E-05	2.6808E-05	2.5624E-05	2.2198E-05	1.9454E-05
6	2.5106E-05	2.6158E-05	2.8030E-05	2.8030E-05	2.6158E-05	2.5106E-05	2.4403E-05	2.3480E-05	2.1797E-05	1.9454E-05
7	2.3256E-05	2.4403E-05	2.6808E-05	2.8857E-05	2.6808E-05	2.4403E-05	2.3256E-05	2.2220E-05	2.0995E-05	1.9394E-05
8	2.1144E-05	2.2220E-05	2.3480E-05	2.5624E-05	2.5624E-05	2.3480E-05	2.2220E-05	2.1144E-05	2.0080E-05	1.9310E-05
9	1.8854E-05	2.0080E-05	2.0995E-05	2.1797E-05	2.2198E-05	2.1797E-05	2.0995E-05	2.0080E-05	1.8854E-05	1.8310E-05
10	1.6464E-05	1.8310E-05	1.9310E-05	1.9394E-05	1.9454E-05	1.9394E-05	1.9394E-05	1.9310E-05	1.8310E-05	1.6464E-05
11	1.4175E-05	1.6130E-05	1.8112E-05	1.7713E-05	1.7136E-05	1.7002E-05	1.7136E-05	1.7136E-05	1.8112E-05	1.6130E-05
12	1.1980E-05	1.3125E-05	1.5041E-05	1.5671E-05	1.5072E-05	1.5062E-05	1.5062E-05	1.5072E-05	1.5671E-05	1.5041E-05
13	1.0429E-05	1.1106E-05	1.2083E-05	1.2985E-05	1.3281E-05	1.3440E-05	1.3607E-05	1.3440E-05	1.3281E-05	1.2985E-05
14	1.0050E-05	1.0268E-05	1.0412E-05	1.1905E-05	1.2535E-05	1.2128E-05	1.3125E-05	1.3125E-05	1.2128E-05	1.2535E-05
15	7.9286E-06	9.1579E-06	9.6356E-06	1.0471E-05	1.1768E-05	1.1688E-05	1.1989E-05	1.2740E-05	1.1989E-05	1.1688E-05
16	4.8228E-06	6.1524E-06	7.1438E-06	7.9268E-06	8.6466E-06	9.1531E-06	9.4363E-06	9.6683E-06	9.6683E-06	9.4363E-06
17	2.0876E-06	3.0738E-06	3.8167E-06	4.4008E-06	4.8680E-06	5.2309E-06	5.4827E-06	5.6373E-06	5.6937E-06	5.6373E-06
18	2.6401E-07	5.2176E-07	7.0076E-07	8.3910E-07	9.4866E-07	1.0344E-06	1.0979E-06	1.1400E-06	1.1615E-06	1.1615E-06
	11	12	13	14	15	16	17	18		
1	1.4175E-05	1.1980E-05	1.0429E-05	1.0050E-05	7.9286E-06	4.8228E-06	2.0876E-06	2.6401E-07		
2	1.6130E-05	1.3125E-05	1.1106E-05	1.0268E-05	9.1579E-06	6.1524E-06	3.0738E-06	5.2176E-07		
3	1.8112E-05	1.5041E-05	1.2083E-05	1.0412E-05	9.6356E-06	7.1438E-06	3.8167E-06	7.0076E-07		
4	1.7713E-05	1.5671E-05	1.2985E-05	1.1905E-05	1.0471E-05	7.9268E-06	4.4008E-06	8.3910E-07		
5	1.7136E-05	1.5072E-05	1.3281E-05	1.2535E-05	1.1768E-05	8.6466E-06	4.8680E-06	9.4866E-07		
6	1.7002E-05	1.5062E-05	1.3440E-05	1.2128E-05	1.1688E-05	9.1531E-06	5.2309E-06	1.0344E-06		
7	1.7136E-05	1.5062E-05	1.3607E-05	1.3125E-05	1.1989E-05	9.4363E-06	5.4827E-06	1.0979E-06		
8	1.7713E-05	1.5072E-05	1.3440E-05	1.3125E-05	1.2740E-05	9.6683E-06	5.6373E-06	1.1400E-06		
9	1.8112E-05	1.5671E-05	1.3281E-05	1.2128E-05	1.1989E-05	9.6683E-06	5.6937E-06	1.1615E-06		
10	1.6130E-05	1.5041E-05	1.2985E-05	1.2535E-05	1.1688E-05	9.4363E-06	5.6373E-06	1.1615E-06		
11	1.4175E-05	1.3125E-05	1.2083E-05	1.1905E-05	1.1768E-05	9.1531E-06	5.4827E-06	1.1400E-06		
12	1.3125E-05	1.1980E-05	1.1106E-05	1.0412E-05	1.0471E-05	8.6466E-06	5.2309E-06	1.0979E-06		
13	1.2083E-05	1.1106E-05	1.0429E-05	1.0268E-05	9.6356E-06	7.9268E-06	4.8680E-06	1.0344E-06		
14	1.1905E-05	1.0412E-05	1.0268E-05	1.0050E-05	9.1579E-06	7.1438E-06	4.4008E-06	9.4866E-07		
15	1.1768E-05	1.0471E-05	9.6356E-06	9.1579E-06	7.9286E-06	6.1524E-06	3.8167E-06	8.3910E-07		
16	9.1531E-06	8.6466E-06	7.9268E-06	7.1438E-06	6.1524E-06	4.8228E-06	3.0738E-06	7.0076E-07		
17	5.4827E-06	5.2309E-06	4.8680E-06	4.4008E-06	3.8167E-06	3.0738E-06	2.0876E-06	5.2176E-07		
18	1.1400E-06	1.0979E-06	1.0344E-06	9.4866E-07	8.3910E-07	7.0076E-07	5.2176E-07	2.6401E-07		

3 FLUX GROUP 12 PLANE HZ = 106.50000 CM

	1	2	3	4	5	6	7	8	9	10
1	2.7263E-05	2.7109E-05	2.6674E-05	2.6029E-05	2.5157E-05	2.3911E-05	2.2278E-05	2.0468E-05	1.8551E-05	1.6424E-05
2	2.7109E-05	2.7109E-05	2.6818E-05	2.6324E-05	2.5757E-05	2.4873E-05	2.3305E-05	2.1390E-05	1.9622E-05	1.8314E-05
3	2.6674E-05	2.6818E-05	2.6674E-05	2.6324E-05	2.6085E-05	2.6650E-05	2.5561E-05	2.2507E-05	2.0356E-05	1.9189E-05
4	2.6029E-05	2.6324E-05	2.6324E-05	2.6029E-05	2.5757E-05	2.6650E-05	2.7510E-05	2.4500E-05	2.0984E-05	1.8918E-05
5	2.5157E-05	2.5757E-05	2.6085E-05	2.5757E-05	2.5157E-05	2.4873E-05	2.5561E-05	2.4500E-05	2.1317E-05	1.8803E-05
6	2.3911E-05	2.4873E-05	2.6650E-05	2.6650E-05	2.4873E-05	2.3911E-05	2.3305E-05	2.2507E-05	2.0984E-05	1.8803E-05
7	2.2278E-05	2.3305E-05	2.5561E-05	2.7510E-05	2.5561E-05	2.3305E-05	2.2278E-05	2.1390E-05	2.0356E-05	1.8918E-05
8	2.0468E-05	2.1390E-05	2.2507E-05	2.4500E-05	2.4500E-05	2.2507E-05	2.1390E-05	2.0468E-05	1.9622E-05	1.9189E-05
9	1.8551E-05	1.9622E-05	2.0356E-05	2.0984E-05	2.1317E-05	2.0984E-05	2.0356E-05	1.9622E-05	1.8551E-05	1.8314E-05
10	1.6424E-05	1.8314E-05	1.9189E-05	1.8918E-05	1.8803E-05	1.8803E-05	1.8918E-05	1.9189E-05	1.8314E-05	1.6424E-05
11	1.4134E-05	1.6252E-05	1.8372E-05	1.7654E-05	1.6717E-05	1.6487E-05	1.6717E-05	1.7654E-05	1.8372E-05	1.6252E-05
12	1.1824E-05	1.3054E-05	1.5149E-05	1.5717E-05	1.4816E-05	1.4646E-05	1.4646E-05	1.4816E-05	1.5717E-05	1.5149E-05
13	1.0197E-05	1.0909E-05	1.1938E-05	1.2846E-05	1.3044E-05	1.3082E-05	1.3200E-05	1.3082E-05	1.3044E-05	1.2846E-05
14	9.7650E-06	1.0003E-05	1.0172E-05	1.1642E-05	1.2231E-05	1.1783E-05	1.2706E-05	1.2706E-05	1.1783E-05	1.2231E-05
15	7.6757E-06	8.8781E-06	9.3559E-06	1.0174E-05	1.1421E-05	1.1321E-05	1.1586E-05	1.2297E-05	1.1586E-05	1.1321E-05
16	4.6594E-06	5.9490E-06	6.9135E-06	7.6748E-06	8.3682E-06	8.8471E-06	9.1058E-06	9.3186E-06	9.3186E-06	8.8471E-06
17	2.0144E-06	2.9677E-06	3.6872E-06	4.2532E-06	4.7040E-06	5.0505E-06	5.2869E-06	5.4296E-06	5.4814E-06	5.4296E-06
18	2.5471E-07	5.0351E-07	6.7661E-07	8.1054E-07	9.1643E-07	9.9877E-07	1.0590E-06	1.0982E-06	1.1181E-06	1.1181E-06
	11	12	13	14	15	16	17	18		
1	1.4134E-05	1.1824E-05	1.0197E-05	9.7650E-06	7.6757E-06	4.6594E-06	2.0144E-06	2.5471E-07		
2	1.6252E-05	1.3054E-05	1.0909E-05	1.0003E-05	8.8781E-06	5.9490E-06	2.9677E-06	5.0351E-07		
3	1.8372E-05	1.5149E-05	1.1938E-05	1.0172E-05	9.3559E-06	6.9135E-06	3.6872E-06	6.7661E-07		
4	1.7654E-05	1.5717E-05	1.2846E-05	1.1642E-05	1.0174E-05	7.6748E-06	4.2532E-06	8.1054E-07		
5	1.6717E-05	1.4816E-05	1.3044E-05	1.2231E-05	1.1421E-05	8.3682E-06	4.7040E-06	9.1643E-07		
6	1.6487E-05	1.4646E-05	1.3082E-05	1.1783E-05	1.1321E-05	8.8471E-06	5.0505E-06	9.9877E-07		
7	1.6717E-05	1.4646E-05	1.3200E-05	1.2706E-05	1.1586E-05	9.1058E-06	5.2869E-06	1.0590E-06		
8	1.7654E-05	1.4816E-05	1.3082E-05	1.2706E-05	1.2297E-05	9.3186E-06	5.4296E-06	1.0982E-06		
9	1.8372E-05	1.5717E-05	1.3044E-05	1.1783E-05	1.1586E-05	9.3186E-06	5.4814E-06	1.1181E-06		
10	1.6252E-05	1.5149E-05	1.2846E-05	1.2231E-05	1.1321E-05	9.1058E-06	5.4296E-06	1.1181E-06		
11	1.4134E-05	1.3054E-05	1.1938E-05	1.1642E-05	1.1421E-05	8.8471E-06	5.2869E-06	1.0982E-06		
12	1.3054E-05	1.1824E-05	1.0909E-05	1.0172E-05	1.0174E-05	8.3682E-06	5.0505E-06	1.0590E-06		
13	1.1938E-05	1.0909E-05	1.0197E-05	1.0003E-05	9.3559E-06	7.6748E-06	4.7040E-06	9.9877E-07		
14	1.1642E-05	1.0172E-05	1.0003E-05	9.7650E-06	8.8781E-06	6.9135E-06	4.2532E-06	9.1643E-07		
15	1.1421E-05	1.0174E-05	9.3559E-06	8.8781E-06	7.6757E-06	5.9490E-06	3.6872E-06	8.1054E-07		
16	8.8471E-06	8.3682E-06	7.6748E-06	6.9135E-06	5.9490E-06	4.6594E-06	2.9677E-06	6.7661E-07		
17	5.2869E-06	5.0505E-06	4.7040E-06	4.2532E-06	3.6872E-06	2.9677E-06	2.0144E-06	5.0351E-07		
18	1.0982E-06	1.0590E-06	9.9877E-07	9.1643E-07	8.1054E-07	6.7661E-07	5.0351E-07	2.5471E-07		

3 FLUX GROUP 13 PLANE HZ = 116.00000 CM

	1	2	3	4	5	6	7	8	9	10
1	2.4409E-05	2.4278E-05	2.3912E-05	2.3370E-05	2.2634E-05	2.1565E-05	2.0157E-05	1.8608E-05	1.6975E-05	1.5105E-05
2	2.4278E-05	2.4278E-05	2.4033E-05	2.3622E-05	2.3160E-05	2.2416E-05	2.1056E-05	1.9399E-05	1.7904E-05	1.6843E-05
3	2.3912E-05	2.4033E-05	2.3912E-05	2.3622E-05	2.3453E-05	2.4037E-05	2.3099E-05	2.0379E-05	1.8517E-05	1.7603E-05
4	2.3370E-05	2.3622E-05	2.3622E-05	2.3370E-05	2.3160E-05	2.4037E-05	2.4880E-05	2.2179E-05	1.9039E-05	1.7249E-05
5	2.2634E-05	2.3160E-05	2.3453E-05	2.3160E-05	2.2634E-05	2.2416E-05	2.3099E-05	2.2179E-05	1.9325E-05	1.7090E-05
6	2.1565E-05	2.2416E-05	2.4037E-05	2.4037E-05	2.2416E-05	2.1565E-05	2.1056E-05	2.0379E-05	1.9039E-05	1.7090E-05
7	2.0157E-05	2.1056E-05	2.3099E-05	2.4880E-05	2.3099E-05	2.1056E-05	2.0157E-05	1.9399E-05	1.8517E-05	1.7249E-05
8	1.8608E-05	1.9399E-05	2.0379E-05	2.2179E-05	2.2179E-05	2.0379E-05	1.9399E-05	1.8608E-05	1.7904E-05	1.7603E-05
9	1.6975E-05	1.7904E-05	1.8517E-05	1.9039E-05	1.9325E-05	1.9039E-05	1.8517E-05	1.7904E-05	1.6975E-05	1.6843E-05
10	1.5105E-05	1.6843E-05	1.7603E-05	1.7249E-05	1.7090E-05	1.7090E-05	1.7249E-05	1.7603E-05	1.6843E-05	1.5105E-05
11	1.3004E-05	1.4987E-05	1.6957E-05	1.6209E-05	1.5247E-05	1.5005E-05	1.5247E-05	1.6209E-05	1.6957E-05	1.4987E-05
12	1.0842E-05	1.1998E-05	1.3961E-05	1.4459E-05	1.3546E-05	1.3342E-05	1.3342E-05	1.3546E-05	1.4459E-05	1.3961E-05
13	9.3051E-06	9.9785E-06	1.0938E-05	1.1766E-05	1.1917E-05	1.1912E-05	1.1912E-05	1.1917E-05	1.1766E-05	1.0938E-05
14	8.8617E-06	9.0994E-06	9.2701E-06	1.0605E-05	1.1128E-05	1.0705E-05	1.1520E-05	1.1520E-05	1.0705E-05	1.1128E-05
15	6.9410E-06	8.0381E-06	8.4830E-06	9.2265E-06	1.0346E-05	1.0247E-05	1.0474E-05	1.1105E-05	1.0474E-05	1.0247E-05
16	4.2060E-06	5.3737E-06	6.2491E-06	6.9390E-06	7.5626E-06	7.9886E-06	8.2146E-06	8.4000E-06	8.4000E-06	8.2146E-06
17	1.8168E-06	2.6775E-06	3.3279E-06	3.8395E-06	4.2456E-06	4.5555E-06	4.7647E-06	4.8897E-06	4.9347E-06	4.8897E-06
18	2.2965E-07	4.5405E-07	6.1034E-07	7.3132E-07	8.2682E-07	9.0071E-07	9.5429E-07	9.8893E-07	1.0063E-06	1.0063E-06
	11	12	13	14	15	16	17	18		
1	1.3004E-05	1.0842E-05	9.3051E-06	8.8617E-06	6.9410E-06	4.2060E-06	1.8168E-06	2.2965E-07		
2	1.4987E-05	1.1998E-05	9.9785E-06	9.0994E-06	8.0381E-06	5.3737E-06	2.6775E-06	4.5405E-07		
3	1.6957E-05	1.3961E-05	1.0938E-05	9.2701E-06	8.4830E-06	6.2491E-06	3.3279E-06	6.1034E-07		
4	1.6209E-05	1.4459E-05	1.1766E-05	1.0605E-05	9.2265E-06	6.9390E-06	3.8395E-06	7.3132E-07		
5	1.5247E-05	1.3546E-05	1.1917E-05	1.1128E-05	1.0346E-05	7.5626E-06	4.2456E-06	8.2682E-07		
6	1.5005E-05	1.3342E-05	1.1912E-05	1.0705E-05	1.0247E-05	7.9886E-06	4.5555E-06	9.0071E-07		
7	1.5247E-05	1.3342E-05	1.2003E-05	1.1520E-05	1.0474E-05	8.2146E-06	4.7647E-06	9.5429E-07		
8	1.6209E-05	1.3546E-05	1.1912E-05	1.1520E-05	1.1105E-05	8.4000E-06	4.8897E-06	9.8893E-07		
9	1.6957E-05	1.4459E-05	1.1917E-05	1.0705E-05	1.0474E-05	8.4000E-06	4.9347E-06	1.0063E-06		
10	1.4987E-05	1.3961E-05	1.1766E-05	1.1128E-05	1.0247E-05	8.2146E-06	4.8897E-06	1.0063E-06		
11	1.3004E-05	1.1998E-05	1.0938E-05	1.0605E-05	1.0346E-05	7.9886E-06	4.7647E-06	9.8893E-07		
12	1.1998E-05	1.0842E-05	9.9785E-06	9.2701E-06	9.2265E-06	7.5626E-06	4.5555E-06	9.5429E-07		
13	1.0938E-05	9.9785E-06	9.3051E-06	9.0994E-06	8.4830E-06	6.9390E-06	4.2456E-06	9.0071E-07		
14	1.0605E-05	9.2701E-06	9.0994E-06	8.8617E-06	8.0381E-06	6.2491E-06	3.8395E-06	8.2682E-07		
15	1.0346E-05	9.2265E-06	8.4830E-06	8.0381E-06	6.9410E-06	5.3737E-06	3.3279E-06	7.3132E-07		
16	7.9886E-06	7.5626E-06	6.9390E-06	6.2491E-06	5.3737E-06	4.2060E-06	2.6775E-06	6.1034E-07		
17	4.7647E-06	4.5555E-06	4.2456E-06	3.8395E-06	3.3279E-06	2.6775E-06	1.8168E-06	4.5405E-07		
18	9.8893E-07	9.5429E-07	9.0071E-07	8.2682E-07	7.3132E-07	6.1034E-07	4.5405E-07	2.2965E-07		

3 FLUX GROUP 14 PLANE HZ = 125.50000 CM

	1	2	3	4	5	6	7	8	9	10
1	2.1077E-05	2.0971E-05	2.0675E-05	2.0236E-05	1.9632E-05	1.8738E-05	1.7550E-05	1.6243E-05	1.4867E-05	1.3269E-05
2	2.0971E-05	2.0971E-05	2.0773E-05	2.0443E-05	2.0076E-05	1.9464E-05	1.8315E-05	1.6910E-05	1.5653E-05	1.4787E-05
3	2.0675E-05	2.0773E-05	2.0675E-05	2.0443E-05	2.0327E-05	2.0883E-05	2.0095E-05	1.7747E-05	1.6163E-05	1.5428E-05
4	2.0236E-05	2.0443E-05	2.0443E-05	2.0236E-05	2.0076E-05	2.0883E-05	2.1655E-05	1.9315E-05	1.6601E-05	1.5075E-05
5	1.9632E-05	2.0076E-05	2.0327E-05	2.0076E-05	1.9632E-05	1.9464E-05	2.0095E-05	1.9315E-05	1.6843E-05	1.4924E-05
6	1.8738E-05	1.9464E-05	2.0883E-05	2.0883E-05	1.9464E-05	1.8738E-05	1.8315E-05	1.7747E-05	1.6601E-05	1.4924E-05
7	1.7550E-05	1.8315E-05	2.0095E-05	2.1655E-05	2.0095E-05	1.8315E-05	1.7550E-05	1.6910E-05	1.6163E-05	1.5075E-05
8	1.6243E-05	1.6910E-05	1.7747E-05	1.9315E-05	1.9315E-05	1.7747E-05	1.6910E-05	1.6243E-05	1.5653E-05	1.5428E-05
9	1.4867E-05	1.5653E-05	1.6163E-05	1.6601E-05	1.6843E-05	1.6601E-05	1.6163E-05	1.5653E-05	1.4867E-05	1.4787E-05
10	1.3269E-05	1.4787E-05	1.5428E-05	1.5075E-05	1.4924E-05	1.4924E-05	1.5075E-05	1.5428E-05	1.4787E-05	1.3269E-05
11	1.1426E-05	1.3177E-05	1.4904E-05	1.4214E-05	1.3337E-05	1.3121E-05	1.3337E-05	1.4214E-05	1.4904E-05	1.3177E-05
12	9.4939E-06	1.0524E-05	1.2257E-05	1.2682E-05	1.1851E-05	1.1658E-05	1.1658E-05	1.1851E-05	1.2682E-05	1.2257E-05
13	8.0686E-06	8.6963E-06	9.5445E-06	1.0260E-05	1.0384E-05	1.0364E-05	1.0431E-05	1.0364E-05	1.0384E-05	1.0260E-05
14	7.5401E-06	7.8094E-06	8.0030E-06	9.1280E-06	9.5714E-06	9.2284E-06	9.8867E-06	9.8867E-06	9.2284E-06	9.5714E-06
15	5.8344E-06	6.7831E-06	7.1997E-06	7.8354E-06	8.7563E-06	8.6923E-06	8.8767E-06	9.3787E-06	8.8767E-06	8.6923E-06
16	3.5194E-06	4.5036E-06	5.2478E-06	5.8339E-06	6.3539E-06	6.7080E-06	6.8958E-06	7.0442E-06	7.0442E-06	6.8958E-06
17	1.5175E-06	2.2378E-06	2.7837E-06	3.2136E-06	3.5533E-06	3.8105E-06	3.9834E-06	4.0854E-06	4.1217E-06	4.0854E-06
18	1.9169E-07	3.7910E-07	5.0986E-07	6.1122E-07	6.9111E-07	7.5261E-07	7.9694E-07	8.2539E-07	8.3950E-07	8.3950E-07
	11	12	13	14	15	16	17	18		
1	1.1426E-05	9.4939E-06	8.0686E-06	7.5401E-06	5.8344E-06	3.5194E-06	1.5175E-06	1.9169E-07		
2	1.3177E-05	1.0524E-05	8.6963E-06	7.8094E-06	6.7831E-06	4.5036E-06	2.2378E-06	3.7910E-07		
3	1.4904E-05	1.2257E-05	9.5445E-06	8.0030E-06	7.1997E-06	5.2478E-06	2.7837E-06	5.0986E-07		
4	1.4214E-05	1.2682E-05	1.0260E-05	9.1280E-06	7.8354E-06	5.8339E-06	3.2136E-06	6.1122E-07		
5	1.3337E-05	1.1851E-05	1.0384E-05	9.5714E-06	8.7563E-06	6.3539E-06	3.5533E-06	6.9111E-07		
6	1.3121E-05	1.1658E-05	1.0364E-05	9.2284E-06	8.6923E-06	6.7080E-06	3.8105E-06	7.5261E-07		
7	1.3337E-05	1.1658E-05	1.0431E-05	9.8867E-06	8.8767E-06	6.8958E-06	3.9834E-06	7.9694E-07		
8	1.4214E-05	1.1851E-05	1.0364E-05	9.8867E-06	9.3787E-06	7.0442E-06	4.0854E-06	8.2539E-07		
9	1.4904E-05	1.2682E-05	1.0384E-05	9.2284E-06	8.8767E-06	7.0442E-06	4.1217E-06	8.3950E-07		
10	1.3177E-05	1.2257E-05	1.0260E-05	9.5714E-06	8.6923E-06	6.8958E-06	4.0854E-06	8.3950E-07		
11	1.1426E-05	1.0524E-05	9.5445E-06	9.1280E-06	8.7563E-06	6.7080E-06	3.9834E-06	8.2539E-07		
12	1.0524E-05	9.4939E-06	8.6963E-06	8.0030E-06	7.8354E-06	6.3539E-06	3.8105E-06	7.9694E-07		
13	9.5445E-06	8.6963E-06	8.0686E-06	7.8094E-06	7.1997E-06	5.8339E-06	3.5533E-06	7.5261E-07		
14	9.1280E-06	8.0030E-06	7.8094E-06	7.5401E-06	6.7831E-06	5.2478E-06	3.2136E-06	6.9111E-07		
15	8.7563E-06	7.8354E-06	7.1997E-06	6.7831E-06	5.8344E-06	4.5036E-06	2.7837E-06	6.1122E-07		
16	6.7080E-06	6.3539E-06	5.8339E-06	5.2478E-06	4.5036E-06	3.5194E-06	2.2378E-06	5.0986E-07		
17	3.9834E-06	3.8105E-06	3.5533E-06	3.2136E-06	2.7837E-06	2.2378E-06	1.5175E-06	3.7910E-07		
18	8.2539E-07	7.9694E-07	7.5261E-07	6.9111E-07	6.1122E-07	5.0986E-07	3.7910E-07	1.9169E-07		

3 FLUX GROUP 15 PLANE HZ = 135.00000 CM

	1	2	3	4	5	6	7	8	9	10
1	1.9811E-05	1.9717E-05	1.9449E-05	1.9036E-05	1.8462E-05	1.7643E-05	1.6571E-05	1.5362E-05	1.4083E-05	1.2667E-05
2	1.9717E-05	1.9717E-05	1.9538E-05	1.9220E-05	1.8816E-05	1.8205E-05	1.7202E-05	1.5963E-05	1.4744E-05	1.3688E-05
3	1.9449E-05	1.9538E-05	1.9449E-05	1.9220E-05	1.8993E-05	1.9030E-05	1.8319E-05	1.6620E-05	1.5222E-05	1.4201E-05
4	1.9036E-05	1.9220E-05	1.9220E-05	1.9036E-05	1.8816E-05	1.9030E-05	1.9171E-05	1.7614E-05	1.5617E-05	1.4221E-05
5	1.8462E-05	1.8816E-05	1.8993E-05	1.8816E-05	1.8462E-05	1.8205E-05	1.8319E-05	1.7614E-05	1.5811E-05	1.4232E-05
6	1.7643E-05	1.8205E-05	1.9030E-05	1.9030E-05	1.8205E-05	1.7643E-05	1.7202E-05	1.6620E-05	1.5617E-05	1.4232E-05
7	1.6571E-05	1.7202E-05	1.8319E-05	1.9171E-05	1.8319E-05	1.7202E-05	1.6571E-05	1.5963E-05	1.5222E-05	1.4221E-05
8	1.5362E-05	1.5963E-05	1.6620E-05	1.7614E-05	1.7614E-05	1.6620E-05	1.5963E-05	1.5362E-05	1.4744E-05	1.4201E-05
9	1.4083E-05	1.4744E-05	1.5222E-05	1.5617E-05	1.5811E-05	1.5617E-05	1.5222E-05	1.4744E-05	1.4083E-05	1.3688E-05
10	1.2667E-05	1.3688E-05	1.4201E-05	1.4221E-05	1.4232E-05	1.4232E-05	1.4221E-05	1.4201E-05	1.3688E-05	1.2667E-05
11	1.1009E-05	1.2284E-05	1.3374E-05	1.3165E-05	1.2799E-05	1.2714E-05	1.2799E-05	1.3165E-05	1.3374E-05	1.2284E-05
12	9.1744E-06	1.0119E-05	1.1394E-05	1.1781E-05	1.1380E-05	1.1301E-05	1.1301E-05	1.1380E-05	1.1781E-05	1.1394E-05
13	7.5629E-06	8.2931E-06	9.0749E-06	9.6902E-06	9.8707E-06	9.9032E-06	9.9513E-06	9.9032E-06	9.8707E-06	9.6902E-06
14	6.3609E-06	6.9356E-06	7.3670E-06	8.1752E-06	8.5718E-06	8.4971E-06	8.8525E-06	8.8525E-06	8.4971E-06	8.5718E-06
15	4.5905E-06	5.4400E-06	6.0117E-06	6.5539E-06	7.1240E-06	7.2679E-06	7.4148E-06	7.6152E-06	7.4148E-06	7.2679E-06
16	2.7167E-06	3.4981E-06	4.1168E-06	4.6048E-06	4.9980E-06	5.2751E-06	5.4374E-06	5.5313E-06	5.5313E-06	5.4374E-06
17	1.1646E-06	1.7209E-06	2.1475E-06	2.4864E-06	2.7503E-06	2.9468E-06	3.0804E-06	3.1572E-06	3.1825E-06	3.1572E-06
18	1.4687E-07	2.9071E-07	3.9169E-07	4.7054E-07	5.3260E-07	5.7981E-07	6.1367E-07	6.3531E-07	6.4575E-07	6.4575E-07
	11	12	13	14	15	16	17	18		
1	1.1009E-05	9.1744E-06	7.5629E-06	6.3609E-06	4.5905E-06	2.7167E-06	1.1646E-06	1.4687E-07		
2	1.2284E-05	1.0119E-05	8.2931E-06	6.9356E-06	5.4400E-06	3.4981E-06	1.7209E-06	2.9071E-07		
3	1.3374E-05	1.1394E-05	9.0749E-06	7.3670E-06	6.0117E-06	4.1168E-06	2.1475E-06	3.9169E-07		
4	1.3165E-05	1.1781E-05	9.6902E-06	8.1752E-06	6.5539E-06	4.6048E-06	2.4864E-06	4.7054E-07		
5	1.2799E-05	1.1380E-05	9.8707E-06	8.5718E-06	7.1240E-06	4.9980E-06	2.7503E-06	5.3260E-07		
6	1.2714E-05	1.1301E-05	9.9032E-06	8.4971E-06	7.2679E-06	5.2751E-06	2.9468E-06	5.7981E-07		
7	1.2799E-05	1.1301E-05	9.9513E-06	8.8525E-06	7.4148E-06	5.4374E-06	3.0804E-06	6.1367E-07		
8	1.3165E-05	1.1380E-05	9.9032E-06	8.8525E-06	7.6152E-06	5.5313E-06	3.1572E-06	6.3531E-07		
9	1.3374E-05	1.1781E-05	9.8707E-06	8.4971E-06	7.4148E-06	5.5313E-06	3.1825E-06	6.4575E-07		
10	1.2284E-05	1.1394E-05	9.6902E-06	8.5718E-06	7.2679E-06	5.4374E-06	3.1572E-06	6.4575E-07		
11	1.1009E-05	1.0119E-05	9.0749E-06	8.1752E-06	7.1240E-06	5.2751E-06	3.0804E-06	6.3531E-07		
12	1.0119E-05	9.1744E-06	8.2931E-06	7.3670E-06	6.5539E-06	4.9980E-06	2.9468E-06	6.1367E-07		
13	9.0749E-06	8.2931E-06	7.5629E-06	6.9356E-06	6.0117E-06	4.6048E-06	2.7503E-06	5.7981E-07		
14	8.1752E-06	7.3670E-06	6.9356E-06	6.3609E-06	5.4400E-06	4.1168E-06	2.4864E-06	5.3260E-07		
15	7.1240E-06	6.5539E-06	6.0117E-06	5.4400E-06	4.5905E-06	3.4981E-06	2.1475E-06	4.7054E-07		
16	5.2751E-06	4.9980E-06	4.6048E-06	4.1168E-06	3.4981E-06	2.7167E-06	1.7209E-06	3.9169E-07		
17	3.0804E-06	2.9468E-06	2.7503E-06	2.4864E-06	2.1475E-06	1.7209E-06	1.1646E-06	2.9071E-07		
18	6.3531E-07	6.1367E-07	5.7981E-07	5.3260E-07	4.7054E-07	3.9169E-07	2.9071E-07	1.4687E-07		

3 FLUX GROUP 16 PLANE HZ = 145.00000 CM

	1	2	3	4	5	6	7	8	9	10
1	1.6512E-05	1.6443E-05	1.6241E-05	1.5919E-05	1.5457E-05	1.4795E-05	1.3925E-05	1.2931E-05	1.1900E-05	1.0804E-05
2	1.6443E-05	1.6443E-05	1.6309E-05	1.6061E-05	1.5715E-05	1.5200E-05	1.4407E-05	1.3415E-05	1.2385E-05	1.1399E-05
3	1.6241E-05	1.6309E-05	1.6241E-05	1.6061E-05	1.5830E-05	1.5614E-05	1.5042E-05	1.3898E-05	1.2778E-05	1.1754E-05
4	1.5919E-05	1.6061E-05	1.6061E-05	1.5919E-05	1.5715E-05	1.5614E-05	1.5410E-05	1.4470E-05	1.3102E-05	1.1959E-05
5	1.5457E-05	1.5715E-05	1.5830E-05	1.5715E-05	1.5457E-05	1.5200E-05	1.5042E-05	1.4470E-05	1.3249E-05	1.2068E-05
6	1.4795E-05	1.5200E-05	1.5614E-05	1.5614E-05	1.5200E-05	1.4795E-05	1.4407E-05	1.3898E-05	1.3102E-05	1.2068E-05
7	1.3925E-05	1.4407E-05	1.5042E-05	1.5410E-05	1.5042E-05	1.4407E-05	1.3925E-05	1.3415E-05	1.2778E-05	1.1959E-05
8	1.2931E-05	1.3415E-05	1.3898E-05	1.4470E-05	1.4470E-05	1.3898E-05	1.3415E-05	1.2931E-05	1.2385E-05	1.1754E-05
9	1.1900E-05	1.2385E-05	1.2778E-05	1.3102E-05	1.3249E-05	1.3102E-05	1.2778E-05	1.2385E-05	1.1900E-05	1.1399E-05
10	1.0804E-05	1.1399E-05	1.1754E-05	1.1959E-05	1.2068E-05	1.2068E-05	1.1959E-05	1.1754E-05	1.1399E-05	1.0804E-05
11	9.4508E-06	1.0300E-05	1.0884E-05	1.0959E-05	1.0917E-05	1.0924E-05	1.0917E-05	1.0959E-05	1.0884E-05	1.0300E-05
12	7.8679E-06	8.6610E-06	9.5234E-06	9.8356E-06	9.7172E-06	9.7054E-06	9.7054E-06	9.7172E-06	9.8356E-06	9.5234E-06
13	6.3002E-06	7.0209E-06	7.6762E-06	8.1555E-06	8.3428E-06	8.3927E-06	8.4173E-06	8.3927E-06	8.3428E-06	8.1555E-06
14	4.8101E-06	5.5048E-06	6.0375E-06	6.5486E-06	6.8645E-06	6.8645E-06	7.0788E-06	7.0788E-06	6.9625E-06	6.8645E-06
15	3.2315E-06	3.9102E-06	4.4978E-06	4.9140E-06	5.2030E-06	5.4462E-06	5.5490E-06	5.5464E-06	5.5490E-06	5.4462E-06
16	1.8720E-06	2.4272E-06	2.8881E-06	3.2524E-06	3.5177E-06	3.7113E-06	3.8357E-06	3.8841E-06	3.8841E-06	3.8357E-06
17	7.9723E-07	1.1807E-06	1.4785E-06	1.7173E-06	1.9003E-06	2.0341E-06	2.1261E-06	2.1773E-06	2.1926E-06	2.1773E-06
18	1.0033E-07	1.9877E-07	2.6833E-07	3.2304E-07	3.6605E-07	3.9835E-07	4.2136E-07	4.3597E-07	4.4278E-07	4.4278E-07
	11	12	13	14	15	16	17	18		
1	9.4508E-06	7.8679E-06	6.3002E-06	4.8101E-06	3.2315E-06	1.8720E-06	7.9723E-07	1.0033E-07		
2	1.0300E-05	8.6610E-06	7.0209E-06	5.5048E-06	3.9102E-06	2.4272E-06	1.1807E-06	1.9877E-07		
3	1.0884E-05	9.5234E-06	7.6762E-06	6.0375E-06	4.4978E-06	2.8881E-06	1.4785E-06	2.6833E-07		
4	1.0959E-05	9.8356E-06	8.1555E-06	6.5486E-06	4.9140E-06	3.2524E-06	1.7173E-06	3.2304E-07		
5	1.0917E-05	9.7172E-06	8.3428E-06	6.8645E-06	5.2030E-06	3.5177E-06	1.9003E-06	3.6605E-07		
6	1.0924E-05	9.7054E-06	8.3927E-06	6.9625E-06	5.4462E-06	3.7113E-06	2.0341E-06	3.9835E-07		
7	1.0917E-05	9.7054E-06	8.4173E-06	7.0788E-06	5.5490E-06	3.8357E-06	2.1261E-06	4.2136E-07		
8	1.0959E-05	9.7172E-06	8.3927E-06	7.0788E-06	5.5464E-06	3.8841E-06	2.1773E-06	4.3597E-07		
9	1.0884E-05	9.8356E-06	8.3428E-06	6.9625E-06	5.5490E-06	3.8841E-06	2.1926E-06	4.4278E-07		
10	1.0300E-05	9.5234E-06	8.1555E-06	6.8645E-06	5.4462E-06	3.8357E-06	2.1773E-06	4.4278E-07		
11	9.4508E-06	8.6610E-06	7.6762E-06	6.5486E-06	5.2030E-06	3.7113E-06	2.1261E-06	4.3597E-07		
12	8.6610E-06	7.8679E-06	7.0209E-06	6.0375E-06	4.9140E-06	3.5177E-06	2.0341E-06	4.2136E-07		
13	7.6762E-06	7.0209E-06	6.3002E-06	5.5048E-06	4.4978E-06	3.2524E-06	1.9003E-06	3.9835E-07		
14	6.5486E-06	6.0375E-06	5.5048E-06	4.8101E-06	3.9102E-06	2.8881E-06	1.7173E-06	3.6605E-07		
15	5.2030E-06	4.9140E-06	4.4978E-06	3.9102E-06	3.2315E-06	2.4272E-06	1.4785E-06	3.2304E-07		
16	3.7113E-06	3.5177E-06	3.2524E-06	2.8881E-06	2.4272E-06	1.8720E-06	1.1807E-06	2.6833E-07		
17	2.1261E-06	2.0341E-06	1.9003E-06	1.7173E-06	1.4785E-06	1.1807E-06	7.9723E-07	1.9877E-07		
18	4.3597E-07	4.2136E-07	3.9835E-07	3.6605E-07	3.2304E-07	2.6833E-07	1.9877E-07	1.0033E-07		

3 FLUX GROUP 17 PLANE HZ = 155.00000 CM

	1	2	3	4	5	6	7	8	9	10
1	1.0734E-05	1.0696E-05	1.0588E-05	1.0411E-05	1.0140E-05	9.7231E-06	9.1570E-06	8.5151E-06	7.8657E-06	7.1648E-06
2	1.0696E-05	1.0696E-05	1.0625E-05	1.0493E-05	1.0307E-05	9.9985E-06	9.4824E-06	8.8299E-06	8.1721E-06	7.5752E-06
3	1.0588E-05	1.0625E-05	1.0588E-05	1.0493E-05	1.0387E-05	1.0324E-05	9.9591E-06	9.1620E-06	8.4215E-06	7.7969E-06
4	1.0411E-05	1.0493E-05	1.0493E-05	1.0411E-05	1.0307E-05	1.0324E-05	1.0251E-05	9.5875E-06	8.6345E-06	7.8841E-06
5	1.0140E-05	1.0307E-05	1.0387E-05	1.0307E-05	1.0140E-05	9.9985E-06	9.9591E-06	9.5875E-06	8.7348E-06	7.9437E-06
6	9.7231E-06	9.9985E-06	1.0324E-05	1.0324E-05	9.9985E-06	9.7231E-06	9.4824E-06	9.1620E-06	8.6345E-06	7.9437E-06
7	9.1570E-06	9.4824E-06	9.9591E-06	1.0251E-05	9.9591E-06	9.4824E-06	9.1570E-06	8.8299E-06	8.4215E-06	7.8841E-06
8	8.5151E-06	8.8299E-06	9.1620E-06	9.5875E-06	9.5875E-06	9.1620E-06	8.8299E-06	8.5151E-06	8.1721E-06	7.7969E-06
9	7.8657E-06	8.1721E-06	8.4215E-06	8.6345E-06	8.7348E-06	8.6345E-06	8.4215E-06	8.1721E-06	7.8657E-06	7.5752E-06
10	7.1648E-06	7.5752E-06	7.7969E-06	7.8841E-06	7.9437E-06	7.9437E-06	7.8841E-06	7.7969E-06	7.5752E-06	7.1648E-06
11	6.2534E-06	6.8502E-06	7.2619E-06	7.2665E-06	7.1869E-06	7.1828E-06	7.1869E-06	7.2665E-06	7.2619E-06	6.8502E-06
12	5.1661E-06	5.7119E-06	6.3154E-06	6.5155E-06	6.3909E-06	6.3633E-06	6.3633E-06	6.3909E-06	6.5155E-06	6.3154E-06
13	4.0800E-06	4.5788E-06	5.0230E-06	5.3383E-06	5.4511E-06	5.4672E-06	5.4741E-06	5.4672E-06	5.4511E-06	5.3383E-06
14	3.0379E-06	3.5191E-06	3.8894E-06	4.2103E-06	4.4104E-06	4.4798E-06	4.5319E-06	4.5319E-06	4.4798E-06	4.4104E-06
15	1.9992E-06	2.4368E-06	2.8294E-06	3.0960E-06	3.2641E-06	3.4276E-06	3.4874E-06	3.4684E-06	3.4874E-06	3.4276E-06
16	1.1483E-06	1.4932E-06	1.7837E-06	2.0136E-06	2.1761E-06	2.2946E-06	2.3711E-06	2.3968E-06	2.3968E-06	2.3711E-06
17	4.8747E-07	7.2272E-07	9.0618E-07	1.0539E-06	1.1664E-06	1.2477E-06	1.3033E-06	1.3336E-06	1.3422E-06	1.3336E-06
18	6.1257E-08	1.2142E-07	1.6402E-07	1.9762E-07	2.2402E-07	2.4370E-07	2.5761E-07	2.6635E-07	2.7033E-07	2.7033E-07
	11	12	13	14	15	16	17	18		
1	6.2534E-06	5.1661E-06	4.0800E-06	3.0379E-06	1.9992E-06	1.1483E-06	4.8747E-07	6.1257E-08		
2	6.8502E-06	5.7119E-06	4.5788E-06	3.5191E-06	2.4368E-06	1.4932E-06	7.2272E-07	1.2142E-07		
3	7.2619E-06	6.3154E-06	5.0230E-06	3.8894E-06	2.8294E-06	1.7837E-06	9.0618E-07	1.6402E-07		
4	7.2665E-06	6.5155E-06	5.3383E-06	4.2103E-06	3.0960E-06	2.0136E-06	1.0539E-06	1.9762E-07		
5	7.1869E-06	6.3909E-06	5.4511E-06	4.4104E-06	3.2641E-06	2.1761E-06	1.1664E-06	2.2402E-07		
6	7.1828E-06	6.3633E-06	5.4672E-06	4.4798E-06	3.4276E-06	2.2946E-06	1.2477E-06	2.4370E-07		
7	7.1869E-06	6.3633E-06	5.4741E-06	4.5319E-06	3.4874E-06	2.3711E-06	1.3033E-06	2.5761E-07		
8	7.2665E-06	6.3909E-06	5.4672E-06	4.5319E-06	3.4684E-06	2.3968E-06	1.3336E-06	2.6635E-07		
9	7.2619E-06	6.5155E-06	5.4511E-06	4.4798E-06	3.4874E-06	2.3968E-06	1.3422E-06	2.7033E-07		
10	6.8502E-06	6.3154E-06	5.3383E-06	4.4104E-06	3.4276E-06	2.3711E-06	1.3336E-06	2.7033E-07		
11	6.2534E-06	5.7119E-06	5.0230E-06	4.2103E-06	3.2641E-06	2.2946E-06	1.3033E-06	2.6635E-07		
12	5.7119E-06	5.1661E-06	4.5788E-06	3.8894E-06	3.0960E-06	2.1761E-06	1.2477E-06	2.5761E-07		
13	5.0230E-06	4.5788E-06	4.0800E-06	3.5191E-06	2.8294E-06	2.0136E-06	1.1664E-06	2.4370E-07		
14	4.2103E-06	3.8894E-06	3.5191E-06	3.0379E-06	2.4368E-06	1.7837E-06	1.0539E-06	2.2402E-07		
15	3.2641E-06	3.0960E-06	2.8294E-06	2.4368E-06	1.9992E-06	1.4932E-06	9.0618E-07	1.9762E-07		
16	2.2946E-06	2.1761E-06	2.0136E-06	1.7837E-06	1.4932E-06	1.1483E-06	7.2272E-07	1.6402E-07		
17	1.3033E-06	1.2477E-06	1.1664E-06	1.0539E-06	9.0618E-07	7.2272E-07	4.8747E-07	1.2142E-07		
18	2.6635E-07	2.5761E-07	2.4370E-07	2.2402E-07	1.9762E-07	1.6402E-07	1.2142E-07	6.1257E-08		

3 FLUX GROUP 18 PLANE HZ = 165.00000 CM

	1	2	3	4	5	6	7	8	9	10
1	5.5042E-06	5.4888E-06	5.4447E-06	5.3715E-06	5.2490E-06	5.0414E-06	4.7492E-06	4.4214E-06	4.0988E-06	3.7433E-06
2	5.4888E-06	5.4888E-06	5.4600E-06	5.4091E-06	5.3361E-06	5.1926E-06	4.9252E-06	4.5841E-06	4.2531E-06	3.9661E-06
3	5.4447E-06	5.4600E-06	5.4447E-06	5.4091E-06	5.3815E-06	5.3898E-06	5.2060E-06	4.7680E-06	4.3787E-06	4.0769E-06
4	5.3715E-06	5.4091E-06	5.4091E-06	5.3715E-06	5.3361E-06	5.3898E-06	5.3807E-06	5.0155E-06	4.4901E-06	4.0989E-06
5	5.2490E-06	5.3361E-06	5.3815E-06	5.3361E-06	5.2490E-06	5.1926E-06	5.2060E-06	5.0155E-06	4.5450E-06	4.1198E-06
6	5.0414E-06	5.1926E-06	5.3898E-06	5.3898E-06	5.1926E-06	5.0414E-06	4.9252E-06	4.7680E-06	4.4901E-06	4.1198E-06
7	4.7492E-06	4.9252E-06	5.2060E-06	5.3807E-06	5.2060E-06	4.9252E-06	4.7492E-06	4.5841E-06	4.3787E-06	4.0989E-06
8	4.4214E-06	4.5841E-06	4.7680E-06	5.0155E-06	5.0155E-06	4.7680E-06	4.5841E-06	4.4214E-06	4.2531E-06	4.0769E-06
9	4.0988E-06	4.2531E-06	4.3787E-06	4.4901E-06	4.5450E-06	4.4901E-06	4.3787E-06	4.2531E-06	4.0988E-06	3.9661E-06
10	3.7433E-06	3.9661E-06	4.0769E-06	4.0989E-06	4.1198E-06	4.1198E-06	4.0989E-06	4.0769E-06	3.9661E-06	3.7433E-06
11	3.2572E-06	3.5867E-06	3.8137E-06	3.7954E-06	3.7251E-06	3.7151E-06	3.7251E-06	3.7954E-06	3.8137E-06	3.5867E-06
12	2.6710E-06	2.9666E-06	3.2993E-06	3.4005E-06	3.3102E-06	3.2822E-06	3.2822E-06	3.3102E-06	3.4005E-06	3.2993E-06
13	2.0902E-06	2.3563E-06	2.5942E-06	2.7600E-06	2.8111E-06	2.8089E-06	2.8079E-06	2.8089E-06	2.8111E-06	2.7600E-06
14	1.5387E-06	1.7921E-06	1.9881E-06	2.1535E-06	2.2544E-06	2.2869E-06	2.3076E-06	2.3076E-06	2.2869E-06	2.2544E-06
15	1.0029E-06	1.2269E-06	1.4305E-06	1.5672E-06	1.6502E-06	1.7334E-06	1.7613E-06	1.7483E-06	1.7613E-06	1.7334E-06
16	5.7333E-07	7.4683E-07	8.9404E-07	1.0106E-06	1.0921E-06	1.1510E-06	1.1886E-06	1.2002E-06	1.2002E-06	1.1886E-06
17	2.4294E-07	3.6043E-07	4.5234E-07	5.2649E-07	5.8280E-07	6.2319E-07	6.5061E-07	6.6527E-07	6.6932E-07	6.6527E-07
18	3.0518E-08	6.0505E-08	8.1783E-08	9.8600E-08	1.1180E-07	1.2161E-07	1.2849E-07	1.3276E-07	1.3468E-07	1.3468E-07
	11	12	13	14	15	16	17	18		
1	3.2572E-06	2.6710E-06	2.0902E-06	1.5387E-06	1.0029E-06	5.7333E-07	2.4294E-07	3.0518E-08		
2	3.5867E-06	2.9666E-06	2.3563E-06	1.7921E-06	1.2269E-06	7.4683E-07	3.6043E-07	6.0505E-08		
3	3.8137E-06	3.2993E-06	2.5942E-06	1.9881E-06	1.4305E-06	8.9404E-07	4.5234E-07	8.1783E-08		
4	3.7954E-06	3.4005E-06	2.7600E-06	2.1535E-06	1.5672E-06	1.0106E-06	5.2649E-07	9.8600E-08		
5	3.7251E-06	3.3102E-06	2.8111E-06	2.2544E-06	1.6502E-06	1.0921E-06	5.8280E-07	1.1180E-07		
6	3.7151E-06	3.2822E-06	2.8089E-06	2.2869E-06	1.7334E-06	1.1510E-06	6.2319E-07	1.2161E-07		
7	3.7251E-06	3.2822E-06	2.8079E-06	2.3076E-06	1.7613E-06	1.1886E-06	6.5061E-07	1.2849E-07		
8	3.7954E-06	3.3102E-06	2.8089E-06	2.3076E-06	1.7483E-06	1.2002E-06	6.6527E-07	1.3276E-07		
9	3.8137E-06	3.4005E-06	2.8111E-06	2.2869E-06	1.7613E-06	1.2002E-06	6.6932E-07	1.3468E-07		
10	3.5867E-06	3.2993E-06	2.7600E-06	2.2544E-06	1.7334E-06	1.1886E-06	6.6527E-07	1.3468E-07		
11	3.2572E-06	2.9666E-06	2.5942E-06	2.1535E-06	1.6502E-06	1.1510E-06	6.5061E-07	1.3276E-07		
12	2.9666E-06	2.6710E-06	2.3563E-06	1.9881E-06	1.5672E-06	1.0921E-06	6.2319E-07	1.2849E-07		
13	2.5942E-06	2.3563E-06	2.0902E-06	1.7921E-06	1.4305E-06	1.0106E-06	5.8280E-07	1.2161E-07		
14	2.1535E-06	1.9881E-06	1.7921E-06	1.5387E-06	1.2269E-06	8.9404E-07	5.2649E-07	1.1180E-07		
15	1.6502E-06	1.5672E-06	1.4305E-06	1.2269E-06	1.0029E-06	7.4683E-07	4.5234E-07	9.8600E-08		
16	1.1510E-06	1.0921E-06	1.0106E-06	8.9404E-07	7.4683E-07	5.7333E-07	3.6043E-07	8.1783E-08		
17	6.5061E-07	6.2319E-07	5.8280E-07	5.2649E-07	4.5234E-07	3.6043E-07	2.4294E-07	6.0505E-08		
18	1.3276E-07	1.2849E-07	1.2161E-07	1.1180E-07	9.8600E-08	8.1783E-08	6.0505E-08	3.0518E-08		

3 FLUX GROUP 19 PLANE HZ = 175.00000 CM

	1	2	3	4	5	6	7	8	9	10
1	7.8348E-07	7.8147E-07	7.7594E-07	7.6751E-07	7.5252E-07	7.2322E-07	6.8004E-07	6.3436E-07	5.9788E-07	5.5442E-07
2	7.8147E-07	7.8147E-07	7.7789E-07	7.7284E-07	7.6985E-07	7.5508E-07	7.1183E-07	6.5786E-07	6.1839E-07	6.2659E-07
3	7.7594E-07	7.7789E-07	7.7594E-07	7.7284E-07	7.8146E-07	8.5027E-07	8.2261E-07	6.9500E-07	6.3341E-07	6.4234E-07
4	7.6751E-07	7.7284E-07	7.7284E-07	7.6751E-07	7.6985E-07	8.5027E-07	9.3204E-07	7.9390E-07	6.5082E-07	5.9614E-07
5	7.5252E-07	7.6985E-07	7.8146E-07	7.6985E-07	7.5252E-07	7.5508E-07	8.2261E-07	7.9390E-07	6.6278E-07	5.9141E-07
6	7.2322E-07	7.5508E-07	8.5027E-07	8.5027E-07	7.5508E-07	7.2322E-07	7.1183E-07	6.9500E-07	6.5082E-07	5.9141E-07
7	6.8004E-07	7.1183E-07	8.2261E-07	9.3204E-07	8.2261E-07	7.1183E-07	6.8004E-07	6.5786E-07	6.3341E-07	5.9614E-07
8	6.3436E-07	6.5786E-07	6.9500E-07	7.9390E-07	7.9390E-07	6.9500E-07	6.5786E-07	6.3436E-07	6.1839E-07	6.4234E-07
9	5.9788E-07	6.1839E-07	6.3341E-07	6.5082E-07	6.6278E-07	6.5082E-07	6.3341E-07	6.1839E-07	5.9788E-07	6.2659E-07
10	5.5442E-07	6.2659E-07	6.4234E-07	5.9614E-07	5.9141E-07	5.9141E-07	5.9614E-07	6.4234E-07	6.2659E-07	5.5442E-07
11	4.7704E-07	5.6885E-07	6.6098E-07	5.9917E-07	5.3787E-07	5.3156E-07	5.3787E-07	5.9917E-07	6.6098E-07	5.6885E-07
12	3.8333E-07	4.3333E-07	5.2370E-07	5.3884E-07	4.8163E-07	4.6924E-07	4.6924E-07	4.8163E-07	5.3884E-07	5.2370E-07
13	2.9583E-07	3.3621E-07	3.7467E-07	4.0143E-07	4.0539E-07	4.0031E-07	3.9872E-07	4.0031E-07	4.0539E-07	4.0143E-07
14	2.0630E-07	2.4728E-07	2.8044E-07	2.9916E-07	3.1312E-07	3.2240E-07	3.1893E-07	3.1893E-07	3.2240E-07	3.1312E-07
15	1.2904E-07	1.5932E-07	1.9122E-07	2.0964E-07	2.1580E-07	2.3186E-07	2.3538E-07	2.2823E-07	2.3538E-07	2.3186E-07
16	7.3225E-08	9.5580E-08	1.1499E-07	1.3042E-07	1.4062E-07	1.4821E-07	1.5337E-07	1.5447E-07	1.5447E-07	1.5337E-07
17	3.1078E-08	4.6069E-08	5.7879E-08	6.7457E-08	7.4689E-08	7.9847E-08	8.3379E-08	8.5244E-08	8.5732E-08	8.5244E-08
18	3.9627E-09	7.8367E-09	1.0592E-08	1.2782E-08	1.4502E-08	1.5774E-08	1.6667E-08	1.7221E-08	1.7467E-08	1.7467E-08
	11	12	13	14	15	16	17	18		
1	4.7704E-07	3.8333E-07	2.9583E-07	2.0630E-07	1.2904E-07	7.3225E-08	3.1078E-08	3.9627E-09		
2	5.6885E-07	4.3333E-07	3.3621E-07	2.4728E-07	1.5932E-07	9.5580E-08	4.6069E-08	7.8367E-09		
3	6.6098E-07	5.2370E-07	3.7467E-07	2.8044E-07	1.9122E-07	1.1499E-07	5.7879E-08	1.0592E-08		
4	5.9917E-07	5.3884E-07	4.0143E-07	2.9916E-07	2.0964E-07	1.3042E-07	6.7457E-08	1.2782E-08		
5	5.3787E-07	4.8163E-07	4.0539E-07	3.1312E-07	2.1580E-07	1.4062E-07	7.4689E-08	1.4502E-08		
6	5.3156E-07	4.6924E-07	4.0031E-07	3.2240E-07	2.3186E-07	1.4821E-07	7.9847E-08	1.5774E-08		
7	5.3787E-07	4.6924E-07	3.9872E-07	3.1893E-07	2.3538E-07	1.5337E-07	8.3379E-08	1.6667E-08		
8	5.9917E-07	4.8163E-07	4.0031E-07	3.1893E-07	2.2823E-07	1.5447E-07	8.5244E-08	1.7221E-08		
9	6.6098E-07	5.3884E-07	4.0539E-07	3.2240E-07	2.3538E-07	1.5447E-07	8.5732E-08	1.7467E-08		
10	5.6885E-07	5.2370E-07	4.0143E-07	3.1312E-07	2.3186E-07	1.5337E-07	8.5244E-08	1.7467E-08		
11	4.7704E-07	4.3333E-07	3.7467E-07	2.9916E-07	2.1580E-07	1.4821E-07	8.3379E-08	1.7221E-08		
12	4.3333E-07	3.8333E-07	3.3621E-07	2.8044E-07	2.0964E-07	1.4062E-07	7.9847E-08	1.6667E-08		
13	3.7467E-07	3.3621E-07	2.9583E-07	2.4728E-07	1.9122E-07	1.3042E-07	7.4689E-08	1.5774E-08		
14	2.9916E-07	2.8044E-07	2.4728E-07	2.0630E-07	1.5932E-07	1.1499E-07	6.7457E-08	1.4502E-08		
15	2.1580E-07	2.0964E-07	1.9122E-07	1.5932E-07	1.2904E-07	9.5580E-08	5.7879E-08	1.2782E-08		
16	1.4821E-07	1.4062E-07	1.3042E-07	1.1499E-07	9.5580E-08	7.3225E-08	4.6069E-08	1.0592E-08		
17	8.3379E-08	7.9847E-08	7.4689E-08	6.7457E-08	5.7879E-08	4.6069E-08	3.1078E-08	7.8367E-09		
18	1.7221E-08	1.6667E-08	1.5774E-08	1.4502E-08	1.2782E-08	1.0592E-08	7.8367E-09	3.9627E-09		

4 FLUX GROUP 1 PLANE HZ = 0.0 CM										
	1	2	3	4	5	6	7	8	9	10
1	3.0260E-07	2.9496E-07	2.7163E-07	2.3438E-07	1.9503E-07	1.6941E-07	1.5436E-07	1.3045E-07	8.9655E-08	5.8836E-08
2	2.9496E-07	2.9496E-07	2.7902E-07	2.4499E-07	1.9503E-07	1.5558E-07	1.4538E-07	1.3748E-07	1.0381E-07	4.3194E-08
3	2.7163E-07	2.7902E-07	2.7163E-07	2.4499E-07	1.8699E-07	8.5525E-08	7.0803E-08	1.1796E-07	1.1379E-07	5.1424E-08
4	2.3438E-07	2.4499E-07	2.4499E-07	2.3438E-07	1.9503E-07	8.5525E-08	2.3471E-08	5.9950E-08	1.1321E-07	1.0045E-07
5	1.9503E-07	1.9503E-07	1.8699E-07	1.9503E-07	1.9503E-07	1.5558E-07	7.0803E-08	5.9950E-08	1.0774E-07	1.1869E-07
6	1.6941E-07	1.5558E-07	8.5525E-08	8.5525E-08	1.5558E-07	1.6941E-07	1.4538E-07	1.1796E-07	1.1321E-07	1.1869E-07
7	1.5436E-07	1.4538E-07	7.0803E-08	2.3471E-08	7.0803E-08	1.4538E-07	1.5436E-07	1.3748E-07	1.1379E-07	1.0045E-07
8	1.3045E-07	1.3748E-07	1.1796E-07	5.9950E-08	5.9950E-08	1.1796E-07	1.3748E-07	1.3045E-07	1.0381E-07	5.1424E-08
9	8.9655E-08	1.0381E-07	1.1379E-07	1.1321E-07	1.0774E-07	1.1321E-07	1.1379E-07	1.0381E-07	8.9655E-08	4.3194E-08
10	5.8836E-08	4.3194E-08	5.1424E-08	1.0045E-07	1.1869E-07	1.1869E-07	1.0045E-07	5.1424E-08	4.3194E-08	5.8836E-08
11	5.9691E-08	3.3382E-08	1.3700E-08	4.7500E-08	1.0369E-07	1.1717E-07	1.0369E-07	4.7500E-08	1.3700E-08	3.3382E-08
12	7.0076E-08	6.1241E-08	3.3691E-08	3.8967E-08	8.5364E-08	1.0786E-07	1.0786E-07	8.5364E-08	3.8967E-08	3.3691E-08
13	6.8914E-08	6.9992E-08	6.5458E-08	6.4960E-08	7.8726E-08	9.5551E-08	1.0175E-07	9.5551E-08	7.8726E-08	6.4960E-08
14	5.3768E-08	6.1600E-08	6.5856E-08	6.5855E-08	7.1506E-08	8.1962E-08	8.5668E-08	8.5668E-08	8.1962E-08	7.1506E-08
15	3.5967E-08	4.2916E-08	5.0319E-08	5.3485E-08	5.4395E-08	6.1701E-08	6.5401E-08	6.3656E-08	6.5401E-08	6.1701E-08
16	2.1477E-08	2.7401E-08	3.2140E-08	3.5713E-08	3.8242E-08	4.0928E-08	4.3522E-08	4.4648E-08	4.4648E-08	4.3522E-08
17	9.3918E-09	1.3726E-08	1.6922E-08	1.9372E-08	2.1258E-08	2.2836E-08	2.4231E-08	2.5196E-08	2.5522E-08	2.5196E-08
18	1.4314E-09	2.7114E-09	3.6109E-09	4.2829E-09	4.7997E-09	5.2132E-09	5.5638E-09	5.8385E-09	5.9890E-09	5.9890E-09
	11	12	13	14	15	16	17	18		
1	5.9691E-08	7.0076E-08	6.8914E-08	5.3768E-08	3.5967E-08	2.1477E-08	9.3918E-09	1.4314E-09		
2	3.3382E-08	6.1241E-08	6.9992E-08	6.1600E-08	4.2916E-08	2.7401E-08	1.3726E-08	2.7114E-09		
3	1.3700E-08	3.3691E-08	6.5458E-08	6.5856E-08	5.0319E-08	3.2140E-08	1.6922E-08	3.6109E-09		
4	4.7500E-08	3.8967E-08	6.4960E-08	6.5855E-08	5.3485E-08	3.5713E-08	1.9372E-08	4.2829E-09		
5	1.0369E-07	8.5364E-08	7.8726E-08	7.1506E-08	5.4395E-08	3.8242E-08	2.1258E-08	4.7997E-09		
6	1.1717E-07	1.0786E-07	9.5551E-08	8.1962E-08	6.1701E-08	4.0928E-08	2.2836E-08	5.2132E-09		
7	1.0369E-07	1.0786E-07	1.0175E-07	8.5668E-08	6.5401E-08	4.3522E-08	2.4231E-08	5.5638E-09		
8	4.7500E-08	8.5364E-08	9.5551E-08	8.5668E-08	6.3656E-08	4.4648E-08	2.5196E-08	5.8385E-09		
9	1.3700E-08	3.8967E-08	7.8726E-08	8.1962E-08	6.5401E-08	4.4648E-08	2.5522E-08	5.9890E-09		
10	3.3382E-08	3.3691E-08	6.4960E-08	7.1506E-08	6.1701E-08	4.3522E-08	2.5196E-08	5.9890E-09		
11	5.9691E-08	6.1241E-08	6.5458E-08	6.5855E-08	5.4395E-08	4.0928E-08	2.4231E-08	5.8385E-09		
12	6.1241E-08	7.0076E-08	6.9992E-08	6.5856E-08	5.3485E-08	3.8242E-08	2.2836E-08	5.5638E-09		
13	6.5458E-08	6.9992E-08	6.8914E-08	6.1600E-08	5.0319E-08	3.5713E-08	2.1258E-08	5.2132E-09		
14	6.5855E-08	6.5856E-08	6.1600E-08	5.3768E-08	4.2916E-08	3.2140E-08	1.9372E-08	4.7997E-09		
15	5.4395E-08	5.3485E-08	5.0319E-08	4.2916E-08	3.5967E-08	2.7401E-08	1.6922E-08	4.2829E-09		
16	4.0928E-08	3.8242E-08	3.5713E-08	3.2140E-08	2.7401E-08	2.1477E-08	1.3726E-08	3.6109E-09		
17	2.4231E-08	2.2836E-08	2.1258E-08	1.9372E-08	1.6922E-08	1.3726E-08	9.3918E-09	2.7114E-09		
18	5.8385E-09	5.5638E-09	5.2132E-09	4.7997E-09	4.2829E-09	3.6109E-09	2.7114E-09	1.4314E-09		

4 FLUX GROUP 2 PLANE HZ = 10.0000 CM

	1	2	3	4	5	6	7	8	9	10
1	1.7769E-06	1.7327E-06	1.5978E-06	1.3821E-06	1.1538E-06	1.0042E-06	9.1502E-07	7.7407E-07	5.3592E-07	3.5539E-07
2	1.7327E-06	1.7327E-06	1.6406E-06	1.4436E-06	1.1551E-06	9.2649E-07	8.6478E-07	8.1600E-07	6.1936E-07	2.7489E-07
3	1.5978E-06	1.6406E-06	1.5978E-06	1.4436E-06	1.1097E-06	5.4052E-07	4.4952E-07	7.0506E-07	6.7781E-07	3.2603E-07
4	1.3821E-06	1.4436E-06	1.4436E-06	1.3821E-06	1.1551E-06	5.4052E-07	1.6710E-07	3.8189E-07	6.7505E-07	5.9930E-07
5	1.1538E-06	1.1551E-06	1.1097E-06	1.1551E-06	1.1538E-06	9.2649E-07	4.4952E-07	3.8189E-07	6.4415E-07	7.0421E-07
6	1.0042E-06	9.2649E-07	5.4052E-07	5.4052E-07	9.2649E-07	1.0042E-06	8.6478E-07	7.0506E-07	6.7505E-07	7.0421E-07
7	9.1502E-07	8.6478E-07	4.4952E-07	1.6710E-07	4.4952E-07	8.6478E-07	9.1502E-07	8.1600E-07	6.7781E-07	5.9930E-07
8	7.7407E-07	8.1600E-07	7.0506E-07	3.8189E-07	3.8189E-07	7.0506E-07	8.1600E-07	7.7407E-07	6.1936E-07	3.2603E-07
9	5.3592E-07	6.1936E-07	6.7781E-07	6.7505E-07	6.4415E-07	6.7505E-07	6.7781E-07	6.1936E-07	5.3592E-07	2.7489E-07
10	3.5539E-07	2.7489E-07	3.2603E-07	5.9930E-07	7.0421E-07	7.0421E-07	5.9930E-07	3.2603E-07	2.7489E-07	3.5539E-07
11	3.5739E-07	2.1311E-07	9.7612E-08	3.0089E-07	6.1571E-07	6.9337E-07	6.1571E-07	3.0089E-07	9.7612E-08	2.1311E-07
12	4.1600E-07	3.6586E-07	2.1445E-07	2.4739E-07	5.0822E-07	6.3792E-07	6.3792E-07	5.0822E-07	2.4739E-07	2.1445E-07
13	4.1236E-07	4.1653E-07	3.9114E-07	3.9114E-07	4.6955E-07	5.6723E-07	6.0427E-07	5.6723E-07	4.6955E-07	3.9019E-07
14	3.4667E-07	3.8164E-07	3.9669E-07	4.0792E-07	4.4244E-07	4.9289E-07	5.2829E-07	4.9289E-07	4.4244E-07	4.4244E-07
15	2.4538E-07	2.8947E-07	3.2585E-07	3.4657E-07	3.6471E-07	3.9927E-07	4.2298E-07	4.2585E-07	4.2298E-07	3.9927E-07
16	1.4789E-07	1.8820E-07	2.1946E-07	2.4295E-07	2.6102E-07	2.7921E-07	2.9587E-07	3.0442E-07	3.0442E-07	2.9587E-07
17	6.4778E-08	9.4622E-08	1.1650E-07	1.3320E-07	1.4616E-07	1.5705E-07	1.6654E-07	1.7315E-07	1.7315E-07	1.4616E-07
18	9.8640E-09	1.8682E-08	2.4863E-08	2.9464E-08	3.3005E-08	3.5850E-08	3.8256E-08	4.0134E-08	4.1169E-08	4.1169E-08
	11	12	13	14	15	16	17	18		
1	3.5739E-07	4.1600E-07	4.1236E-07	3.4667E-07	2.4538E-07	1.4789E-07	6.4778E-08	9.8640E-09		
2	2.1311E-07	3.6586E-07	4.1653E-07	3.8164E-07	2.8947E-07	1.8820E-07	9.4622E-08	1.8682E-08		
3	9.7612E-08	2.1445E-07	3.9114E-07	3.9669E-07	3.2585E-07	2.1946E-07	1.1650E-07	2.4863E-08		
4	3.0089E-07	2.4739E-07	3.9019E-07	4.0792E-07	3.4657E-07	2.4295E-07	1.3320E-07	2.9464E-08		
5	6.1571E-07	5.0822E-07	4.6955E-07	4.4244E-07	3.6471E-07	2.6102E-07	1.4616E-07	3.3005E-08		
6	6.9337E-07	6.3792E-07	5.6723E-07	4.9289E-07	3.9927E-07	2.7921E-07	1.5705E-07	3.5850E-08		
7	6.1571E-07	6.3792E-07	6.0427E-07	5.2829E-07	4.2298E-07	2.9587E-07	1.6654E-07	3.8256E-08		
8	3.0089E-07	5.0822E-07	5.6723E-07	5.2829E-07	4.2585E-07	3.0442E-07	1.7315E-07	4.0134E-08		
9	9.7612E-08	2.4739E-07	4.6955E-07	4.9289E-07	4.2298E-07	3.0442E-07	1.7544E-07	4.1169E-08		
10	2.1311E-07	2.1445E-07	3.9019E-07	4.4244E-07	3.9927E-07	2.9587E-07	1.7315E-07	4.1169E-08		
11	3.5739E-07	3.6586E-07	3.9114E-07	4.0792E-07	3.6471E-07	2.7921E-07	1.6654E-07	4.0134E-08		
12	3.6586E-07	4.1600E-07	4.1653E-07	3.9669E-07	3.4657E-07	2.6102E-07	1.5705E-07	3.8256E-08		
13	3.9114E-07	4.1653E-07	4.1236E-07	3.8164E-07	3.2585E-07	2.4295E-07	1.4616E-07	3.5850E-08		
14	4.0792E-07	3.9669E-07	3.8164E-07	3.4667E-07	2.8947E-07	2.1946E-07	1.3320E-07	3.3005E-08		
15	3.6471E-07	3.4657E-07	3.2585E-07	2.8947E-07	2.4538E-07	1.8820E-07	1.1650E-07	2.9464E-08		
16	2.7921E-07	2.6102E-07	2.4295E-07	2.1946E-07	1.8820E-07	1.4789E-07	9.4622E-08	2.4863E-08		
17	1.6654E-07	1.5705E-07	1.4616E-07	1.3320E-07	1.1650E-07	9.4622E-08	6.4778E-08	1.8682E-08		
18	4.0134E-08	3.8256E-08	3.5850E-08	3.3005E-08	2.9464E-08	2.4863E-08	1.8682E-08	9.8640E-09		

4 FLUX GROUP 3 PLANE HZ = 20.0000 CM

	1	2	3	4	5	6	7	8	9	10
1	3.3045E-06	3.2280E-06	2.9926E-06	2.6116E-06	2.2035E-06	1.9319E-06	1.7627E-06	1.4913E-06	1.0360E-06	6.8962E-07
2	3.2280E-06	3.2280E-06	3.0672E-06	2.7192E-06	2.1999E-06	1.7842E-06	1.6714E-06	1.5749E-06	1.1967E-06	5.3657E-07
3	2.9926E-06	3.0672E-06	2.9926E-06	2.7192E-06	2.1126E-06	1.0492E-06	8.8177E-07	1.3710E-06	1.3117E-06	6.3523E-07
4	2.6116E-06	2.7192E-06	2.7192E-06	2.6116E-06	2.1999E-06	1.0492E-06	3.3450E-07	7.5379E-07	1.3101E-06	1.1563E-06
5	2.2035E-06	2.1999E-06	2.1126E-06	2.1999E-06	2.2035E-06	1.7842E-06	8.8177E-07	7.5379E-07	1.2526E-06	1.3543E-06
6	1.9319E-06	1.7842E-06	1.0492E-06	1.0492E-06	1.7842E-06	1.9319E-06	1.6714E-06	1.3710E-06	1.3101E-06	1.3543E-06
7	1.7627E-06	1.6714E-06	8.8177E-07	3.3450E-07	8.8177E-07	1.6714E-06	1.7627E-06	1.5749E-06	1.3117E-06	1.1563E-06
8	1.4913E-06	1.5749E-06	1.3710E-06	7.5379E-07	7.5379E-07	1.3710E-06	1.5749E-06	1.4913E-06	1.1967E-06	6.3523E-07
9	1.0360E-06	1.1967E-06	1.3117E-06	1.3101E-06	1.2526E-06	1.3101E-06	1.3117E-06	1.1967E-06	1.0360E-06	5.3657E-07
10	6.8962E-07	5.3657E-07	6.3523E-07	1.1563E-06	1.3543E-06	1.3543E-06	1.1563E-06	6.3523E-07	5.3657E-07	6.8962E-07
11	6.8758E-07	4.1524E-07	1.9314E-07	5.8248E-07	1.1764E-06	1.3212E-06	1.1764E-06	5.8248E-07	1.9314E-07	4.1524E-07
12	7.9355E-07	7.0104E-07	4.1548E-07	4.7770E-07	9.6817E-07	1.2093E-06	1.2093E-06	9.6817E-07	4.7770E-07	4.1548E-07
13	7.8725E-07	7.9461E-07	7.4836E-07	7.4751E-07	8.9496E-07	1.0758E-06	1.1443E-06	8.9496E-07	7.4751E-07	7.4836E-07
14	6.6990E-07	7.3295E-07	7.6049E-07	7.8392E-07	8.4879E-07	9.4091E-07	1.0076E-06	1.0076E-06	9.4091E-07	8.4879E-07
15	4.8149E-07	5.6460E-07	6.3195E-07	6.7207E-07	7.0873E-07	7.7234E-07	8.1667E-07	8.2374E-07	8.1667E-07	7.7234E-07
16	2.9304E-07	3.7144E-07	4.3138E-07	4.7661E-07	5.1224E-07	5.4741E-07	5.7896E-07	5.9556E-07	5.9556E-07	5.7896E-07
17	1.2901E-07	1.8802E-07	2.3082E-07	2.6334E-07	2.8877E-07	3.1020E-07	3.2861E-07	3.4140E-07	3.4588E-07	3.4140E-07
18	1.9650E-08	3.7179E-08	4.9364E-08	5.8365E-08	6.5296E-08	7.0891E-08	7.5600E-08	7.9247E-08	8.1258E-08	8.1258E-08
	11	12	13	14	15	16	17	18		
1	6.8758E-07	7.9355E-07	7.8725E-07	6.6990E-07	4.8149E-07	2.9304E-07	1.2901E-07	1.9650E-08		
2	4.1524E-07	7.0104E-07	7.9461E-07	7.3295E-07	5.6460E-07	3.7144E-07	1.8802E-07	3.7179E-08		
3	1.9314E-07	4.1548E-07	7.4836E-07	7.6049E-07	6.3195E-07	4.3138E-07	2.3082E-07	4.9364E-08		
4	5.8248E-07	4.7770E-07	7.4751E-07	7.8392E-07	6.7207E-07	4.7661E-07	2.6334E-07	5.8365E-08		
5	1.1764E-06	9.6817E-07	8.9496E-07	8.4879E-07	7.0873E-07	5.1224E-07	2.8877E-07	6.5296E-08		
6	1.3212E-06	1.2093E-06	1.0758E-06	9.4091E-07	7.7234E-07	5.4741E-07	3.1020E-07	7.0891E-08		
7	1.1764E-06	1.2093E-06	1.1443E-06	1.0076E-06	8.1667E-07	5.7896E-07	3.2861E-07	7.5600E-08		
8	5.8248E-07	9.6817E-07	1.0758E-06	1.0076E-06	8.2374E-07	5.9556E-07	3.4140E-07	7.9247E-08		
9	1.9314E-07	4.7770E-07	8.9496E-07	9.4091E-07	8.1667E-07	5.9556E-07	3.4588E-07	8.1258E-08		
10	4.1524E-07	4.1548E-07	7.4751E-07	8.4879E-07	7.7234E-07	5.7896E-07	3.4140E-07	8.1258E-08		
11	6.8758E-07	7.0104E-07	7.4836E-07	7.8392E-07	7.0873E-07	5.4741E-07	3.2861E-07	7.9247E-08		
12	7.0104E-07	7.9355E-07	7.9461E-07	7.6049E-07	6.7207E-07	5.1224E-07	3.1020E-07	7.5600E-08		
13	7.4836E-07	7.9461E-07	7.8725E-07	7.3295E-07	6.3195E-07	4.7661E-07	2.8877E-07	7.0891E-08		
14	7.8392E-07	7.6049E-07	7.3295E-07	6.6990E-07	5.6460E-07	4.3138E-07	2.6334E-07	6.5296E-08		
15	7.0873E-07	6.7207E-07	6.3195E-07	5.6460E-07	4.8149E-07	3.7144E-07	2.3082E-07	5.8365E-08		
16	5.4741E-07	5.1224E-07	4.7661E-07	4.3138E-07	3.7144E-07	2.9304E-07	1.8802E-07	4.9364E-08		
17	3.2861E-07	3.1020E-07	2.8877E-07	2.6334E-07	2.3082E-07	1.8802E-07	1.2901E-07	3.7179E-08		
18	7.9247E-08	7.5600E-08	7.0891E-08	6.5296E-08	5.8365E-08	4.9364E-08	3.7179E-08	1.9650E-08		

4 FLUX GROUP 4 PLANE HZ = 30.00000 CM

	1	2	3	4	5	6	7	8	9	10
1	4.5220E-06	4.4317E-06	4.1512E-06	3.6880E-06	3.1784E-06	2.8208E-06	2.5693E-06	2.1653E-06	1.5098E-06	1.0084E-06
2	4.4317E-06	4.4317E-06	4.2404E-06	3.8179E-06	3.1656E-06	2.6281E-06	2.4665E-06	2.3022E-06	1.7466E-06	7.9838E-07
3	4.1512E-06	4.2404E-06	4.1512E-06	3.8179E-06	3.0466E-06	1.6006E-06	1.3738E-06	2.0530E-06	1.9271E-06	9.4440E-07
4	3.6880E-06	3.8179E-06	3.8179E-06	3.6880E-06	3.1656E-06	1.6006E-06	5.6529E-07	1.1906E-06	1.9458E-06	1.6842E-06
5	3.1784E-06	3.1656E-06	3.0466E-06	3.1656E-06	3.1784E-06	2.6281E-06	1.3738E-06	1.1906E-06	1.8744E-06	1.9594E-06
6	2.8208E-06	2.6281E-06	1.6006E-06	1.6006E-06	2.6281E-06	2.8208E-06	2.4665E-06	2.0530E-06	1.9458E-06	1.9594E-06
7	2.5693E-06	2.4665E-06	1.3738E-06	5.6529E-07	1.3738E-06	2.4665E-06	2.5693E-06	2.3022E-06	1.9271E-06	1.6842E-06
8	2.1653E-06	2.3022E-06	2.0530E-06	1.1906E-06	1.1906E-06	2.0530E-06	2.3022E-06	2.1653E-06	1.7466E-06	9.4440E-07
9	1.5098E-06	1.7466E-06	1.9271E-06	1.9458E-06	1.8744E-06	1.9458E-06	1.9271E-06	1.7466E-06	1.5098E-06	7.9838E-07
10	1.0084E-06	7.9838E-07	9.4440E-07	1.6842E-06	1.9594E-06	1.9594E-06	1.6842E-06	9.4440E-07	7.9838E-07	1.0084E-06
11	9.8621E-07	6.1359E-07	2.9750E-07	8.5254E-07	1.6713E-06	1.8652E-06	1.6713E-06	8.5254E-07	2.9750E-07	6.1359E-07
12	1.1197E-06	9.9826E-07	6.0759E-07	6.9443E-07	1.3651E-06	1.6871E-06	1.6871E-06	1.3651E-06	6.9443E-07	6.0759E-07
13	1.1186E-06	1.1242E-06	1.0654E-06	1.0682E-06	1.2651E-06	1.5049E-06	1.5960E-06	1.5049E-06	1.2651E-06	1.0682E-06
14	9.8757E-07	1.0603E-06	1.0927E-06	1.1339E-06	1.2237E-06	1.3409E-06	1.4357E-06	1.4357E-06	1.3409E-06	1.2237E-06
15	7.4111E-07	8.5476E-07	9.4013E-07	9.9924E-07	1.0614E-06	1.1427E-06	1.2040E-06	1.2226E-06	1.2040E-06	1.1427E-06
16	4.6231E-07	5.8024E-07	6.6660E-07	7.3237E-07	7.8813E-07	8.4067E-07	8.8523E-07	9.1107E-07	9.1107E-07	8.8523E-07
17	2.0595E-07	2.9859E-07	3.6403E-07	4.1306E-07	4.5221E-07	4.8550E-07	5.1328E-07	5.3254E-07	5.3954E-07	5.3254E-07
18	3.1397E-08	5.9269E-08	7.8263E-08	9.2021E-08	1.0262E-07	1.1130E-07	1.1854E-07	1.2408E-07	1.2715E-07	1.2715E-07
	11	12	13	14	15	16	17	18		
1	9.8621E-07	1.1197E-06	1.1186E-06	9.8757E-07	7.4111E-07	4.6231E-07	2.0595E-07	3.1397E-08		
2	6.1359E-07	9.9826E-07	1.1242E-06	1.0603E-06	8.5476E-07	5.8024E-07	2.9859E-07	5.9269E-08		
3	2.9750E-07	6.0759E-07	1.0654E-06	1.0927E-06	9.4013E-07	6.6660E-07	3.6403E-07	7.8263E-08		
4	8.5254E-07	6.9443E-07	1.0682E-06	1.1339E-06	9.9924E-07	7.3237E-07	4.1306E-07	9.2021E-08		
5	1.6713E-06	1.3651E-06	1.2651E-06	1.2237E-06	1.0614E-06	7.8813E-07	4.5221E-07	1.0262E-07		
6	1.8652E-06	1.6871E-06	1.5049E-06	1.3409E-06	1.1427E-06	8.4067E-07	4.8550E-07	1.1130E-07		
7	1.6713E-06	1.6871E-06	1.5960E-06	1.4357E-06	1.2040E-06	8.8523E-07	5.1328E-07	1.1854E-07		
8	8.5254E-07	1.3651E-06	1.5049E-06	1.4357E-06	1.2226E-06	9.1107E-07	5.3254E-07	1.2408E-07		
9	2.9750E-07	6.9443E-07	1.2651E-06	1.3409E-06	1.2040E-06	9.1107E-07	5.3954E-07	1.2715E-07		
10	6.1359E-07	6.0759E-07	1.0682E-06	1.2237E-06	1.1427E-06	8.8523E-07	5.3254E-07	1.2715E-07		
11	9.8621E-07	9.9826E-07	1.0654E-06	1.1339E-06	1.0614E-06	8.4067E-07	5.1328E-07	1.2408E-07		
12	9.9826E-07	1.1197E-06	1.1242E-06	1.0927E-06	9.9924E-07	7.8813E-07	4.8550E-07	1.1854E-07		
13	1.0654E-06	1.1242E-06	1.1186E-06	1.0603E-06	9.4013E-07	7.3237E-07	4.5221E-07	1.1130E-07		
14	1.1339E-06	1.0927E-06	1.0603E-06	9.8757E-07	8.5476E-07	6.6660E-07	4.1306E-07	1.0262E-07		
15	1.0614E-06	9.9924E-07	9.4013E-07	8.5476E-07	7.4111E-07	5.8024E-07	3.6403E-07	9.2021E-08		
16	8.4067E-07	7.8813E-07	7.3237E-07	6.6660E-07	5.8024E-07	4.6231E-07	2.9859E-07	7.8263E-08		
17	5.1328E-07	4.8550E-07	4.5221E-07	4.1306E-07	3.6403E-07	2.9859E-07	2.0595E-07	5.9269E-08		
18	1.2408E-07	1.1854E-07	1.1130E-07	1.0262E-07	9.2021E-08	7.8263E-08	5.9269E-08	3.1397E-08		

4 FLUX GROUP 5 PLANE HZ = 40.0000 CM

	1	2	3	4	5	6	7	8	9	10
1	4.1165E-06	4.0575E-06	3.8758E-06	3.5743E-06	3.2211E-06	2.9126E-06	2.6100E-06	2.1578E-06	1.4883E-06	9.6743E-07
2	4.0575E-06	4.0575E-06	3.9341E-06	3.6661E-06	3.2480E-06	2.8618E-06	2.6388E-06	2.3504E-06	1.7562E-06	8.3016E-07
3	3.8758E-06	3.9341E-06	3.8758E-06	3.6661E-06	3.1938E-06	2.2827E-06	2.0589E-06	2.3058E-06	1.9872E-06	1.0001E-06
4	3.5743E-06	3.6661E-06	3.6661E-06	3.5743E-06	3.2480E-06	2.2827E-06	1.5986E-06	1.8579E-06	2.1069E-06	1.6898E-06
5	3.2211E-06	3.2480E-06	3.1938E-06	3.2480E-06	3.2211E-06	2.8618E-06	2.0589E-06	1.8579E-06	2.1028E-06	1.9235E-06
6	2.9126E-06	2.8618E-06	2.2827E-06	2.2827E-06	2.8618E-06	2.9126E-06	2.6388E-06	2.3058E-06	2.1069E-06	1.9235E-06
7	2.6100E-06	2.6388E-06	2.0589E-06	1.5986E-06	2.0589E-06	2.6388E-06	2.6100E-06	2.3504E-06	1.9872E-06	1.6898E-06
8	2.1578E-06	2.3504E-06	2.3058E-06	1.8579E-06	1.8579E-06	2.3058E-06	2.3504E-06	2.1578E-06	1.7562E-06	1.0001E-06
9	1.4883E-06	1.7562E-06	1.9872E-06	2.1069E-06	2.1028E-06	2.1069E-06	1.9872E-06	1.7562E-06	1.4883E-06	8.3016E-07
10	9.6743E-07	8.3016E-07	1.0001E-06	1.6898E-06	1.9235E-06	1.9235E-06	1.6898E-06	1.0001E-06	8.3016E-07	9.6743E-07
11	8.9968E-07	6.1375E-07	3.5003E-07	8.5778E-07	1.5367E-06	1.6727E-06	1.5367E-06	8.5778E-07	3.5003E-07	6.1375E-07
12	9.9135E-07	9.0088E-07	5.9749E-07	6.7681E-07	1.2166E-06	1.4649E-06	1.4649E-06	1.2166E-06	6.7681E-07	5.9749E-07
13	1.0377E-06	1.0151E-06	9.7495E-07	9.9207E-07	1.1431E-06	1.3284E-06	1.4041E-06	1.3284E-06	1.1431E-06	9.9207E-07
14	1.1014E-06	1.0759E-06	1.0535E-06	1.1427E-06	1.2246E-06	1.2720E-06	1.4034E-06	1.4034E-06	1.2720E-06	1.2246E-06
15	9.7031E-07	1.0649E-06	1.0752E-06	1.1408E-06	1.2780E-06	1.2923E-06	1.3539E-06	1.4493E-06	1.3539E-06	1.2923E-06
16	6.4202E-07	7.8851E-07	8.7966E-07	9.5027E-07	1.0298E-06	1.0948E-06	1.1392E-06	1.1798E-06	1.1798E-06	1.1392E-06
17	2.9264E-07	4.2017E-07	5.0502E-07	5.6612E-07	6.1776E-07	6.6315E-07	6.9838E-07	7.2333E-07	7.3353E-07	7.2333E-07
18	4.4702E-08	8.4035E-08	1.0982E-07	1.2767E-07	1.4144E-07	1.5315E-07	1.6282E-07	1.7000E-07	1.7413E-07	1.7413E-07
	11	12	13	14	15	16	17	18		
1	8.9968E-07	9.9135E-07	1.0377E-06	1.1014E-06	9.7031E-07	6.4202E-07	2.9264E-07	4.4702E-08		
2	6.1375E-07	9.0088E-07	1.0151E-06	1.0759E-06	1.0649E-06	7.8851E-07	4.2017E-07	8.4035E-08		
3	3.5003E-07	5.9749E-07	9.7495E-07	1.0535E-06	1.0752E-06	8.7966E-07	5.0502E-07	1.0982E-07		
4	8.5778E-07	6.7681E-07	9.9207E-07	1.1427E-06	1.1408E-06	9.5027E-07	5.6612E-07	1.2767E-07		
5	1.5367E-06	1.2166E-06	1.1431E-06	1.2246E-06	1.2780E-06	1.0298E-06	6.1776E-07	1.4144E-07		
6	1.6727E-06	1.4649E-06	1.3284E-06	1.2720E-06	1.2923E-06	1.0948E-06	6.6315E-07	1.5315E-07		
7	1.5367E-06	1.4649E-06	1.4041E-06	1.4034E-06	1.3539E-06	1.1392E-06	6.9838E-07	1.6282E-07		
8	8.5778E-07	1.2166E-06	1.3284E-06	1.4034E-06	1.4493E-06	1.1798E-06	7.2333E-07	1.7000E-07		
9	3.5003E-07	6.7681E-07	1.1431E-06	1.2720E-06	1.3539E-06	1.1798E-06	7.3353E-07	1.7413E-07		
10	6.1375E-07	5.9749E-07	9.9207E-07	1.2246E-06	1.2923E-06	1.1392E-06	7.2333E-07	1.7413E-07		
11	8.9968E-07	9.0088E-07	9.7495E-07	1.1427E-06	1.2780E-06	1.0948E-06	6.9838E-07	1.7000E-07		
12	9.0088E-07	9.9135E-07	1.0151E-06	1.0535E-06	1.1408E-06	1.0298E-06	6.6315E-07	1.6282E-07		
13	9.7495E-07	1.0151E-06	1.0377E-06	1.0759E-06	1.0752E-06	9.5027E-07	6.1776E-07	1.5315E-07		
14	1.1427E-06	1.0535E-06	1.0759E-06	1.1014E-06	1.0649E-06	8.7966E-07	5.6612E-07	1.4144E-07		
15	1.2780E-06	1.1408E-06	1.0752E-06	1.0649E-06	9.7031E-07	7.8851E-07	5.0502E-07	1.2767E-07		
16	1.0948E-06	1.0298E-06	9.5027E-07	8.7966E-07	7.8851E-07	6.4202E-07	4.2017E-07	1.0982E-07		
17	6.9838E-07	6.6315E-07	6.1776E-07	5.6612E-07	5.0502E-07	4.2017E-07	2.9264E-07	8.4035E-08		
18	1.7000E-07	1.6282E-07	1.5315E-07	1.4144E-07	1.2767E-07	1.0982E-07	8.4035E-08	4.4702E-08		

4 FLUX GROUP 6 PLANE HZ = 49.50000 CM

	1	2	3	4	5	6	7	8	9	10
1	3.4889E-06	3.4592E-06	3.3736E-06	3.2417E-06	3.0639E-06	2.8166E-06	2.4695E-06	1.9933E-06	1.3564E-06	8.5729E-07
2	3.4592E-06	3.4592E-06	3.4019E-06	3.2978E-06	3.1668E-06	2.9807E-06	2.6730E-06	2.2372E-06	1.6371E-06	8.0196E-07
3	3.3736E-06	3.4019E-06	3.3736E-06	3.2978E-06	3.2163E-06	3.2426E-06	3.0348E-06	2.4776E-06	1.9128E-06	9.8606E-07
4	3.2417E-06	3.2978E-06	3.2978E-06	3.2417E-06	3.1668E-06	3.2426E-06	3.2731E-06	2.8314E-06	2.1715E-06	1.5839E-06
5	3.0639E-06	3.1668E-06	3.2163E-06	3.1668E-06	3.0639E-06	2.9807E-06	3.0348E-06	2.8314E-06	2.2713E-06	1.7732E-06
6	2.8166E-06	2.9807E-06	3.2426E-06	3.2426E-06	2.9807E-06	2.8166E-06	2.6730E-06	2.4776E-06	2.1715E-06	1.7732E-06
7	2.4695E-06	2.6730E-06	3.0348E-06	3.2731E-06	3.0348E-06	2.6730E-06	2.4695E-06	2.2372E-06	1.9128E-06	1.5839E-06
8	1.9933E-06	2.2372E-06	2.4776E-06	2.8314E-06	2.8314E-06	2.4776E-06	2.2372E-06	1.9933E-06	1.6371E-06	9.8606E-07
9	1.3564E-06	1.6371E-06	1.9128E-06	2.1715E-06	2.2713E-06	2.1715E-06	1.9128E-06	1.6371E-06	1.3564E-06	8.0196E-07
10	8.5729E-07	8.0196E-07	9.8606E-07	1.5839E-06	1.7732E-06	1.7732E-06	1.5839E-06	9.8606E-07	8.0196E-07	8.5729E-07
11	7.6129E-07	5.7387E-07	3.8738E-07	8.0920E-07	1.3162E-06	1.3942E-06	1.3162E-06	8.0920E-07	3.8738E-07	5.7387E-07
12	8.1687E-07	7.5650E-07	5.5233E-07	6.2048E-07	1.0092E-06	1.1810E-06	1.1810E-06	1.0092E-06	6.2048E-07	5.5233E-07
13	9.0791E-07	8.5813E-07	8.3457E-07	8.6287E-07	9.6606E-07	1.0959E-06	1.1558E-06	1.0959E-06	9.6606E-07	8.6287E-07
14	1.1753E-06	1.0410E-06	9.6041E-07	1.0939E-06	1.1647E-06	1.1417E-06	1.3074E-06	1.3074E-06	1.1417E-06	1.1647E-06
15	1.1944E-06	1.2589E-06	1.1719E-06	1.2405E-06	1.4651E-06	1.3941E-06	1.4542E-06	1.6419E-06	1.4542E-06	1.3941E-06
16	8.2605E-07	9.9845E-07	1.0886E-06	1.1597E-06	1.2638E-06	1.3400E-06	1.3812E-06	1.4381E-06	1.4381E-06	1.3812E-06
17	3.8271E-07	5.4572E-07	6.4913E-07	7.2097E-07	7.8466E-07	8.4212E-07	8.8421E-07	9.2818E-07	9.2818E-07	9.1459E-07
18	5.8543E-08	1.0973E-07	1.4233E-07	1.6409E-07	1.8087E-07	1.9556E-07	2.0759E-07	2.1634E-07	2.2153E-07	2.2153E-07
	11	12	13	14	15	16	17	18		
1	7.6129E-07	8.1687E-07	9.0791E-07	1.1753E-06	1.1944E-06	8.2605E-07	3.8271E-07	5.8543E-08		
2	5.7387E-07	7.5650E-07	8.5813E-07	1.0410E-06	1.2589E-06	9.9845E-07	5.4572E-07	1.0973E-07		
3	3.8738E-07	5.5233E-07	8.3457E-07	9.6041E-07	1.1719E-06	1.0886E-06	6.4913E-07	1.4233E-07		
4	8.0920E-07	6.2048E-07	8.6287E-07	1.0939E-06	1.2405E-06	1.1597E-06	7.2097E-07	1.6409E-07		
5	1.3162E-06	1.0092E-06	9.6606E-07	1.1647E-06	1.4651E-06	1.2638E-06	7.8466E-07	1.8087E-07		
6	1.3942E-06	1.1810E-06	1.0959E-06	1.1417E-06	1.3941E-06	1.3400E-06	8.4212E-07	1.9556E-07		
7	1.3162E-06	1.1810E-06	1.1558E-06	1.3074E-06	1.4542E-06	1.3812E-06	8.8421E-07	2.0759E-07		
8	8.0920E-07	1.0092E-06	1.0959E-06	1.3074E-06	1.6419E-06	1.4381E-06	9.1459E-07	2.1634E-07		
9	3.8738E-07	6.2048E-07	9.6606E-07	1.1417E-06	1.4542E-06	1.4381E-06	9.2818E-07	2.2153E-07		
10	5.7387E-07	5.5233E-07	8.6287E-07	1.1647E-06	1.3941E-06	1.3812E-06	9.1459E-07	2.2153E-07		
11	7.6129E-07	7.5650E-07	8.3457E-07	1.0939E-06	1.4651E-06	1.3400E-06	8.8421E-07	2.1634E-07		
12	7.5650E-07	8.1687E-07	8.5813E-07	9.6041E-07	1.2405E-06	1.2638E-06	8.4212E-07	2.0759E-07		
13	8.3457E-07	8.5813E-07	9.0791E-07	1.0410E-06	1.1719E-06	1.1597E-06	7.8466E-07	1.9556E-07		
14	1.0939E-06	9.6041E-07	1.0410E-06	1.1753E-06	1.2589E-06	1.0886E-06	7.2097E-07	1.8087E-07		
15	1.4651E-06	1.2405E-06	1.1719E-06	1.2589E-06	1.1944E-06	9.9845E-07	6.4913E-07	1.6409E-07		
16	1.3400E-06	1.2638E-06	1.1597E-06	1.0886E-06	9.9845E-07	8.2605E-07	5.4572E-07	1.4233E-07		
17	8.8421E-07	8.4212E-07	7.8466E-07	7.2097E-07	6.4913E-07	5.4572E-07	3.8271E-07	1.0973E-07		
18	2.1634E-07	2.0759E-07	1.9556E-07	1.8087E-07	1.6409E-07	1.4233E-07	1.0973E-07	5.8543E-08		

4 FLUX GROUP 7 PLANE HZ = 59.00000 CM

	1	2	3	4	5	6	7	8	9	10
1	3.8396E-06	3.8181E-06	3.7599E-06	3.6748E-06	3.5367E-06	3.2771E-06	2.8633E-06	2.3024E-06	1.5741E-06	1.0025E-06
2	3.8181E-06	3.8181E-06	3.7798E-06	3.7232E-06	3.6681E-06	3.5189E-06	3.1476E-06	2.6027E-06	1.9013E-06	9.4936E-07
3	3.7599E-06	3.7798E-06	3.7599E-06	3.7232E-06	3.7492E-06	3.9727E-06	3.7497E-06	2.9606E-06	2.2382E-06	1.1658E-06
4	3.6748E-06	3.7232E-06	3.7232E-06	3.6748E-06	3.6681E-06	3.9727E-06	4.1438E-06	3.5231E-06	2.5795E-06	1.8458E-06
5	3.5367E-06	3.6681E-06	3.7492E-06	3.6681E-06	3.5367E-06	3.5189E-06	3.7497E-06	3.5231E-06	2.7233E-06	2.0605E-06
6	3.2771E-06	3.5189E-06	3.9727E-06	3.9727E-06	3.5189E-06	3.2771E-06	3.1476E-06	2.9606E-06	2.5795E-06	2.0605E-06
7	2.8633E-06	3.1476E-06	3.7497E-06	4.1438E-06	3.7497E-06	3.1476E-06	2.8633E-06	2.6027E-06	2.2382E-06	1.8458E-06
8	2.3024E-06	2.6027E-06	2.9606E-06	3.5231E-06	3.5231E-06	2.9606E-06	2.6027E-06	2.3024E-06	1.9013E-06	1.1658E-06
9	1.5741E-06	1.9013E-06	2.2382E-06	2.5795E-06	2.7233E-06	2.5795E-06	2.2382E-06	1.9013E-06	1.5741E-06	9.4936E-07
10	1.0025E-06	9.4936E-07	1.1658E-06	1.8458E-06	2.0605E-06	2.0605E-06	1.8458E-06	1.1658E-06	9.4936E-07	1.0025E-06
11	8.8290E-07	6.8173E-07	4.7308E-07	9.5194E-07	1.5072E-06	1.5867E-06	1.5072E-06	9.5194E-07	4.7308E-07	6.8173E-07
12	9.3787E-07	8.7481E-07	6.5447E-07	7.3099E-07	1.1529E-06	1.3340E-06	1.3340E-06	1.1529E-06	7.3099E-07	6.5447E-07
13	1.0556E-06	9.9062E-07	9.6760E-07	1.0034E-06	1.1116E-06	1.2483E-06	1.3133E-06	1.2483E-06	1.1116E-06	1.0034E-06
14	1.4137E-06	1.2327E-06	1.1276E-06	1.2917E-06	1.3714E-06	1.3299E-06	1.5258E-06	1.3299E-06	1.3714E-06	1.2917E-06
15	1.4710E-06	1.5384E-06	1.4162E-06	1.4975E-06	1.7768E-06	1.6766E-06	1.7449E-06	1.9801E-06	1.7449E-06	1.6766E-06
16	1.0272E-06	1.2370E-06	1.3425E-06	1.4259E-06	1.5540E-06	1.6454E-06	1.6918E-06	1.7615E-06	1.7615E-06	1.6918E-06
17	4.7788E-07	6.8019E-07	8.0698E-07	8.9420E-07	9.7214E-07	1.0426E-06	1.0932E-06	1.1463E-06	1.1463E-06	1.0932E-06
18	7.3119E-08	1.3695E-07	1.7728E-07	2.0393E-07	2.2443E-07	2.4245E-07	2.5710E-07	2.6765E-07	2.7391E-07	2.7391E-07
	11	12	13	14	15	16	17	18		
1	8.8290E-07	9.3787E-07	1.0556E-06	1.4137E-06	1.4710E-06	1.0272E-06	4.7788E-07	7.3119E-08		
2	6.8173E-07	8.7481E-07	9.9062E-07	1.2327E-06	1.5384E-06	1.2370E-06	6.8019E-07	1.3695E-07		
3	4.7308E-07	6.5447E-07	9.6760E-07	1.1276E-06	1.4162E-06	1.3425E-06	8.0698E-07	1.7728E-07		
4	9.5194E-07	7.3099E-07	1.0034E-06	1.2917E-06	1.4975E-06	1.4259E-06	8.9420E-07	2.0393E-07		
5	1.5072E-06	1.1529E-06	1.1116E-06	1.3714E-06	1.7768E-06	1.5540E-06	9.7214E-07	2.2443E-07		
6	1.5867E-06	1.3340E-06	1.2483E-06	1.3299E-06	1.6766E-06	1.6454E-06	1.0426E-06	2.4245E-07		
7	1.5072E-06	1.3340E-06	1.3133E-06	1.5258E-06	1.7449E-06	1.6918E-06	1.0932E-06	2.5710E-07		
8	9.5194E-07	1.1529E-06	1.2483E-06	1.5258E-06	1.9801E-06	1.7615E-06	1.1296E-06	2.6765E-07		
9	4.7308E-07	7.3099E-07	1.1116E-06	1.3299E-06	1.7449E-06	1.7615E-06	1.1463E-06	2.7391E-07		
10	6.8173E-07	6.5447E-07	1.0034E-06	1.3714E-06	1.6766E-06	1.6918E-06	1.1296E-06	2.7391E-07		
11	8.8290E-07	8.7481E-07	9.6760E-07	1.2917E-06	1.7768E-06	1.6454E-06	1.0932E-06	2.6765E-07		
12	8.7481E-07	9.3787E-07	9.9062E-07	1.1276E-06	1.4975E-06	1.5540E-06	1.0426E-06	2.5710E-07		
13	9.6760E-07	9.9062E-07	1.0556E-06	1.2327E-06	1.4162E-06	1.4259E-06	9.7214E-07	2.4245E-07		
14	1.2917E-06	1.1276E-06	1.2327E-06	1.4137E-06	1.5384E-06	1.3425E-06	8.9420E-07	2.2443E-07		
15	1.7768E-06	1.4975E-06	1.4162E-06	1.5384E-06	1.4710E-06	1.2370E-06	8.0698E-07	2.0393E-07		
16	1.6454E-06	1.5540E-06	1.4259E-06	1.3425E-06	1.2370E-06	1.0272E-06	6.8019E-07	1.7728E-07		
17	1.0932E-06	1.0426E-06	9.7214E-07	8.9420E-07	8.0698E-07	6.8019E-07	4.7788E-07	1.3695E-07		
18	2.6765E-07	2.5710E-07	2.4245E-07	2.2443E-07	2.0393E-07	1.7728E-07	1.3695E-07	7.3119E-08		

4 FLUX GROUP 8 PLANE HZ = 68.50000 CM

	1	2	3	4	5	6	7	8	9	10
1	4.3502E-06	4.3300E-06	4.2771E-06	4.2013E-06	4.0658E-06	3.7835E-06	3.3170E-06	2.6807E-06	1.8492E-06	1.1916E-06
2	4.3300E-06	4.3300E-06	4.2956E-06	4.2503E-06	4.2142E-06	4.0650E-06	3.6469E-06	3.0246E-06	2.2239E-06	1.1245E-06
3	4.2771E-06	4.2956E-06	4.2771E-06	4.2503E-06	4.3097E-06	4.6052E-06	4.3615E-06	3.4452E-06	2.6116E-06	1.3729E-06
4	4.2013E-06	4.2503E-06	4.2503E-06	4.2013E-06	4.2142E-06	4.6052E-06	4.8286E-06	4.1099E-06	3.0084E-06	2.1599E-06
5	4.0658E-06	4.2142E-06	4.3097E-06	4.2142E-06	4.0658E-06	4.0650E-06	4.3615E-06	4.1099E-06	3.1767E-06	2.4041E-06
6	3.7835E-06	4.0650E-06	4.6052E-06	4.6052E-06	4.0650E-06	3.7835E-06	3.6469E-06	3.4452E-06	3.0084E-06	2.4041E-06
7	3.3170E-06	3.6469E-06	4.3615E-06	4.8286E-06	4.3615E-06	3.6469E-06	3.3170E-06	3.0246E-06	2.6116E-06	2.1599E-06
8	2.6807E-06	3.0246E-06	3.4452E-06	4.1099E-06	4.1099E-06	3.4452E-06	3.0246E-06	2.6807E-06	2.2239E-06	1.3729E-06
9	1.8492E-06	2.2239E-06	2.6116E-06	3.0084E-06	3.1767E-06	3.0084E-06	2.6116E-06	2.2239E-06	1.8492E-06	1.1245E-06
10	1.1916E-06	1.1245E-06	1.3729E-06	2.1599E-06	2.4041E-06	2.4041E-06	2.1599E-06	1.3729E-06	1.1245E-06	1.1916E-06
11	1.0528E-06	8.1541E-07	5.6548E-07	1.1242E-06	1.7640E-06	1.8523E-06	1.7640E-06	1.1242E-06	5.6548E-07	8.1541E-07
12	1.1131E-06	1.0415E-06	7.8230E-07	8.6905E-07	1.3558E-06	1.5604E-06	1.5604E-06	1.3558E-06	8.6905E-07	7.8230E-07
13	1.2495E-06	1.1736E-06	1.1483E-06	1.1898E-06	1.3112E-06	1.4646E-06	1.5382E-06	1.4646E-06	1.3112E-06	1.1898E-06
14	1.6768E-06	1.4604E-06	1.3354E-06	1.5305E-06	1.6214E-06	1.5661E-06	1.7940E-06	1.5661E-06	1.6214E-06	1.4604E-06
15	1.7479E-06	1.8269E-06	1.6801E-06	1.7761E-06	2.1066E-06	1.9826E-06	2.0597E-06	2.3373E-06	2.0597E-06	1.9826E-06
16	1.2213E-06	1.4703E-06	1.5951E-06	1.6935E-06	1.8447E-06	1.9509E-06	2.0028E-06	2.0835E-06	2.0835E-06	2.0028E-06
17	5.6824E-07	8.0875E-07	9.5935E-07	1.0627E-06	1.1549E-06	1.2375E-06	1.2960E-06	1.3378E-06	1.3570E-06	1.3378E-06
18	8.6941E-08	1.6283E-07	2.1076E-07	2.4240E-07	2.6667E-07	2.8789E-07	3.0498E-07	3.1715E-07	3.2436E-07	3.2436E-07
	11	12	13	14	15	16	17	18		
1	1.0528E-06	1.1131E-06	1.2495E-06	1.6768E-06	1.7479E-06	1.2213E-06	5.6824E-07	8.6941E-08		
2	8.1541E-07	1.0415E-06	1.1736E-06	1.4604E-06	1.8269E-06	1.4703E-06	8.0875E-07	1.6283E-07		
3	5.6548E-07	7.8230E-07	1.1483E-06	1.3354E-06	1.6801E-06	1.5951E-06	9.5935E-07	2.1076E-07		
4	1.1242E-06	8.6905E-07	1.1898E-06	1.5305E-06	1.7761E-06	1.6935E-06	1.0627E-06	2.4240E-07		
5	1.7640E-06	1.3558E-06	1.3112E-06	1.6214E-06	2.1066E-06	1.8447E-06	1.1549E-06	2.6667E-07		
6	1.8523E-06	1.5604E-06	1.4646E-06	1.5661E-06	1.9826E-06	1.9509E-06	1.2375E-06	2.8789E-07		
7	1.7640E-06	1.5604E-06	1.5382E-06	1.7940E-06	2.0597E-06	2.0028E-06	1.2960E-06	3.0498E-07		
8	1.1242E-06	1.3558E-06	1.4646E-06	1.7940E-06	2.3373E-06	2.0835E-06	1.3378E-06	3.1715E-07		
9	5.6548E-07	8.6905E-07	1.3112E-06	1.5661E-06	2.0597E-06	2.0835E-06	1.3570E-06	3.2436E-07		
10	8.1541E-07	7.8230E-07	1.1898E-06	1.6214E-06	1.9826E-06	2.0028E-06	1.3378E-06	3.2436E-07		
11	1.0528E-06	1.0415E-06	1.1483E-06	1.5305E-06	2.1066E-06	1.9509E-06	1.2960E-06	3.1715E-07		
12	1.0415E-06	1.1131E-06	1.1736E-06	1.3354E-06	1.7761E-06	1.8447E-06	1.2375E-06	3.0498E-07		
13	1.1483E-06	1.1736E-06	1.2495E-06	1.4604E-06	1.6801E-06	1.6935E-06	1.1549E-06	2.8789E-07		
14	1.5305E-06	1.3354E-06	1.4604E-06	1.6768E-06	1.8269E-06	1.5951E-06	1.0627E-06	2.6667E-07		
15	2.1066E-06	1.7761E-06	1.6801E-06	1.8269E-06	1.7479E-06	1.4703E-06	9.5935E-07	2.4240E-07		
16	1.9509E-06	1.8447E-06	1.6935E-06	1.5951E-06	1.4703E-06	1.2213E-06	8.0875E-07	2.1076E-07		
17	1.2960E-06	1.2375E-06	1.1549E-06	1.0627E-06	9.5935E-07	8.0875E-07	5.6824E-07	1.6283E-07		
18	3.1715E-07	3.0498E-07	2.8789E-07	2.6667E-07	2.4240E-07	2.1076E-07	1.6283E-07	8.6941E-08		

4 FLUX GROUP 9 PLANE HZ = 78.0000 CM

	1	2	3	4	5	6	7	8	9	10
1	4.7577E-06	4.7379E-06	4.6867E-06	4.6149E-06	4.4811E-06	4.1891E-06	3.7006E-06	3.0327E-06	2.1434E-06	1.4226E-06
2	4.7379E-06	4.7379E-06	4.7047E-06	4.6646E-06	4.6391E-06	4.4918E-06	4.0520E-06	3.3954E-06	2.5465E-06	1.3354E-06
3	4.6867E-06	4.7047E-06	4.6867E-06	4.6646E-06	4.7430E-06	5.0870E-06	4.8341E-06	3.8455E-06	2.9570E-06	1.6040E-06
4	4.6149E-06	4.6646E-06	4.6646E-06	4.6149E-06	4.6391E-06	5.0870E-06	5.3489E-06	4.5701E-06	3.3771E-06	2.4663E-06
5	4.4811E-06	4.6391E-06	4.7430E-06	4.6391E-06	4.4811E-06	4.4918E-06	4.8341E-06	4.5701E-06	3.5551E-06	2.7155E-06
6	4.1891E-06	4.4918E-06	5.0870E-06	5.0870E-06	4.4918E-06	4.1891E-06	4.0520E-06	3.8455E-06	3.3771E-06	2.7155E-06
7	3.7006E-06	4.0520E-06	4.8341E-06	5.3489E-06	4.8341E-06	4.0520E-06	3.7006E-06	3.3954E-06	2.9570E-06	2.4663E-06
8	3.0327E-06	3.3954E-06	3.8455E-06	4.5701E-06	4.5701E-06	3.8455E-06	3.3954E-06	3.0327E-06	2.5465E-06	1.6040E-06
9	2.1434E-06	2.5465E-06	2.9570E-06	3.3771E-06	3.5551E-06	3.3771E-06	2.9570E-06	2.5465E-06	2.1434E-06	1.3354E-06
10	1.4226E-06	1.3354E-06	1.6040E-06	2.4663E-06	2.7155E-06	2.7155E-06	2.4663E-06	1.6040E-06	1.3354E-06	1.4226E-06
11	1.2577E-06	9.9000E-07	6.8955E-07	1.3236E-06	2.0193E-06	2.1045E-06	2.0193E-06	1.3236E-06	6.8955E-07	9.9000E-07
12	1.3023E-06	1.2349E-06	9.4497E-07	1.0382E-06	1.5708E-06	1.7815E-06	1.7815E-06	1.5708E-06	1.0382E-06	9.4497E-07
13	1.4373E-06	1.3600E-06	1.3414E-06	1.3911E-06	1.5169E-06	1.6742E-06	1.7505E-06	1.6742E-06	1.5169E-06	1.3911E-06
14	1.9129E-06	1.6712E-06	1.5334E-06	1.7603E-06	1.8594E-06	1.7854E-06	2.0368E-06	2.0368E-06	1.7854E-06	1.8594E-06
15	1.9865E-06	2.0794E-06	1.9153E-06	2.0265E-06	2.4011E-06	2.2538E-06	2.3346E-06	2.6462E-06	2.3346E-06	2.2538E-06
16	1.3853E-06	1.6692E-06	1.8125E-06	1.9253E-06	2.0965E-06	2.2138E-06	2.2680E-06	2.3561E-06	2.3561E-06	2.2680E-06
17	6.4386E-07	9.1685E-07	1.0883E-06	1.2062E-06	1.3106E-06	1.4030E-06	1.4671E-06	1.5124E-06	1.5332E-06	1.5124E-06
18	9.8494E-08	1.8451E-07	2.3896E-07	2.7497E-07	3.0255E-07	3.2646E-07	3.4542E-07	3.5869E-07	3.6649E-07	3.6649E-07
	11	12	13	14	15	16	17	18		
1	1.2577E-06	1.3023E-06	1.4373E-06	1.9129E-06	1.9865E-06	1.3853E-06	6.4386E-07	9.8494E-08		
2	9.9000E-07	1.2349E-06	1.3600E-06	1.6712E-06	2.0794E-06	1.6692E-06	9.1685E-07	1.8451E-07		
3	6.8955E-07	9.4497E-07	1.3414E-06	1.5334E-06	1.9153E-06	1.8125E-06	1.0883E-06	2.3896E-07		
4	1.3236E-06	1.0382E-06	1.3911E-06	1.7603E-06	2.0265E-06	1.9253E-06	1.2062E-06	2.7497E-07		
5	2.0193E-06	1.5708E-06	1.5169E-06	1.8594E-06	2.4011E-06	2.0965E-06	1.3106E-06	3.0255E-07		
6	2.1045E-06	1.7815E-06	1.6742E-06	1.7854E-06	2.2538E-06	2.2138E-06	1.4030E-06	3.2646E-07		
7	2.0193E-06	1.7815E-06	1.7505E-06	2.0368E-06	2.3346E-06	2.2680E-06	1.4671E-06	3.4542E-07		
8	1.3236E-06	1.5708E-06	1.6742E-06	2.0368E-06	2.6462E-06	2.3561E-06	1.5124E-06	3.5869E-07		
9	6.8955E-07	1.0382E-06	1.5169E-06	1.7854E-06	2.3346E-06	2.3561E-06	1.5332E-06	3.6649E-07		
10	9.9000E-07	9.4497E-07	1.3911E-06	1.8594E-06	2.2538E-06	2.2680E-06	1.5124E-06	3.6649E-07		
11	1.2577E-06	1.2349E-06	1.3414E-06	1.7603E-06	2.4011E-06	2.2138E-06	1.4671E-06	3.5869E-07		
12	1.2349E-06	1.3023E-06	1.3600E-06	1.5334E-06	2.0265E-06	2.0965E-06	1.4030E-06	3.4542E-07		
13	1.3414E-06	1.3600E-06	1.4373E-06	1.6712E-06	1.9153E-06	1.9253E-06	1.3106E-06	3.2646E-07		
14	1.7603E-06	1.5334E-06	1.6712E-06	1.9129E-06	2.0794E-06	1.8125E-06	1.2062E-06	3.0255E-07		
15	2.4011E-06	2.0265E-06	1.9153E-06	2.0794E-06	1.9865E-06	1.6692E-06	1.0883E-06	2.7497E-07		
16	2.2138E-06	2.0965E-06	1.9253E-06	1.8125E-06	1.6692E-06	1.3853E-06	9.1685E-07	2.3896E-07		
17	1.4671E-06	1.4030E-06	1.3106E-06	1.2062E-06	1.0883E-06	9.1685E-07	6.4386E-07	1.8451E-07		
18	3.5869E-07	3.4542E-07	3.2646E-07	3.0255E-07	2.7497E-07	2.3896E-07	1.8451E-07	9.8494E-08		

4 FLUX GROUP 10 PLANE HZ = 87.50000 CM

	1	2	3	4	5	6	7	8	9	10
1	4.9688E-06	4.9500E-06	4.9026E-06	4.8385E-06	4.7155E-06	4.4372E-06	3.9765E-06	3.3744E-06	2.5902E-06	1.8970E-06
2	4.9500E-06	4.9500E-06	4.9194E-06	4.8861E-06	4.8742E-06	4.7415E-06	4.3171E-06	3.7040E-06	2.9750E-06	1.9944E-06
3	4.9026E-06	4.9194E-06	4.9026E-06	4.8861E-06	4.9816E-06	5.3653E-06	5.1236E-06	4.1343E-06	3.3252E-06	2.2684E-06
4	4.8385E-06	4.8861E-06	4.8861E-06	4.8385E-06	4.8742E-06	5.3653E-06	5.6631E-06	4.8688E-06	3.6757E-06	2.8567E-06
5	4.7155E-06	4.8742E-06	4.9816E-06	4.8742E-06	4.7155E-06	4.7415E-06	5.1236E-06	4.8688E-06	3.8319E-06	2.9904E-06
6	4.4372E-06	4.7415E-06	5.3653E-06	5.3653E-06	4.7415E-06	4.4372E-06	4.3171E-06	4.1343E-06	3.6757E-06	2.9904E-06
7	3.9765E-06	4.3171E-06	5.1236E-06	5.6631E-06	5.1236E-06	4.3171E-06	3.9765E-06	3.7040E-06	3.3252E-06	2.8567E-06
8	3.3744E-06	3.7040E-06	4.1343E-06	4.8688E-06	4.8688E-06	4.1343E-06	3.7040E-06	3.3744E-06	2.9750E-06	2.2684E-06
9	2.5902E-06	2.9750E-06	3.3252E-06	3.6757E-06	3.8319E-06	3.6757E-06	3.3252E-06	2.9750E-06	2.5902E-06	1.9944E-06
10	1.8970E-06	1.9944E-06	2.2684E-06	2.8567E-06	2.9904E-06	2.9904E-06	2.8567E-06	2.2684E-06	1.9944E-06	1.8970E-06
11	1.6252E-06	1.5892E-06	1.5560E-06	1.9373E-06	2.3241E-06	2.3396E-06	2.3241E-06	1.9373E-06	1.5560E-06	1.5892E-06
12	1.5332E-06	1.5552E-06	1.4975E-06	1.5991E-06	1.8831E-06	1.9968E-06	1.9968E-06	1.8831E-06	1.5991E-06	1.4975E-06
13	1.6063E-06	1.5558E-06	1.5992E-06	1.6918E-06	1.7768E-06	1.8735E-06	1.9311E-06	1.8735E-06	1.7768E-06	1.6918E-06
14	2.0933E-06	1.8435E-06	1.7111E-06	1.9802E-06	2.0824E-06	2.2229E-06	2.2255E-06	2.2255E-06	1.9721E-06	2.0824E-06
15	2.1566E-06	2.2640E-06	2.0941E-06	2.2229E-06	2.6316E-06	2.4607E-06	2.5355E-06	2.8665E-06	2.5355E-06	2.4607E-06
16	1.4986E-06	1.8084E-06	1.9672E-06	2.0930E-06	2.2796E-06	2.4030E-06	2.4546E-06	2.5444E-06	2.5444E-06	2.4546E-06
17	6.9526E-07	9.9091E-07	1.1776E-06	1.3066E-06	1.4202E-06	1.5191E-06	1.5855E-06	1.6312E-06	1.6524E-06	1.6312E-06
18	1.0634E-07	1.9928E-07	2.5833E-07	2.9757E-07	3.2763E-07	3.5340E-07	3.7342E-07	3.8707E-07	3.9498E-07	3.9498E-07
	11	12	13	14	15	16	17	18		
1	1.6252E-06	1.5332E-06	1.6063E-06	2.0933E-06	2.1566E-06	1.4986E-06	6.9526E-07	1.0634E-07		
2	1.5892E-06	1.5552E-06	1.5558E-06	1.8435E-06	2.2640E-06	1.8084E-06	9.9091E-07	1.9928E-07		
3	1.5560E-06	1.4975E-06	1.5992E-06	1.7111E-06	2.0941E-06	1.9672E-06	1.1776E-06	2.5833E-07		
4	1.9373E-06	1.5991E-06	1.6918E-06	1.9802E-06	2.2229E-06	2.0930E-06	1.3066E-06	2.9757E-07		
5	2.3241E-06	1.8831E-06	1.7768E-06	2.0824E-06	2.6316E-06	2.2796E-06	1.4202E-06	3.2763E-07		
6	2.3396E-06	1.9968E-06	1.8735E-06	1.9721E-06	2.4607E-06	2.4030E-06	1.5191E-06	3.5340E-07		
7	2.3241E-06	1.9968E-06	1.9311E-06	2.2255E-06	2.5355E-06	2.4546E-06	1.5855E-06	3.7342E-07		
8	1.9373E-06	1.8831E-06	1.8735E-06	2.2255E-06	2.8665E-06	2.5444E-06	1.6312E-06	3.8707E-07		
9	1.5560E-06	1.5991E-06	1.7768E-06	1.9721E-06	2.5355E-06	2.5444E-06	1.6524E-06	3.9498E-07		
10	1.5892E-06	1.4975E-06	1.6918E-06	2.0824E-06	2.4607E-06	2.4546E-06	1.6312E-06	3.9498E-07		
11	1.6252E-06	1.5552E-06	1.5992E-06	1.9802E-06	2.6316E-06	2.4030E-06	1.5855E-06	3.8707E-07		
12	1.5552E-06	1.5332E-06	1.5558E-06	1.7111E-06	2.2229E-06	2.2796E-06	1.5191E-06	3.7342E-07		
13	1.5992E-06	1.5558E-06	1.6063E-06	1.8435E-06	2.0941E-06	2.0930E-06	1.4202E-06	3.5340E-07		
14	1.9802E-06	1.7111E-06	1.8435E-06	2.0933E-06	2.2640E-06	1.9672E-06	1.3066E-06	3.2763E-07		
15	2.6316E-06	2.2229E-06	2.0941E-06	2.2640E-06	2.1566E-06	1.8084E-06	1.1776E-06	2.9757E-07		
16	2.4030E-06	2.2796E-06	2.0930E-06	1.9672E-06	1.8084E-06	1.4986E-06	9.9091E-07	2.5833E-07		
17	1.5855E-06	1.5191E-06	1.4202E-06	1.3066E-06	1.1776E-06	9.9091E-07	6.9526E-07	1.9928E-07		
18	3.8707E-07	3.7342E-07	3.5340E-07	3.2763E-07	2.9757E-07	2.5833E-07	1.9928E-07	1.0634E-07		

4 FLUX GROUP 11 PLANE HZ = 97.00000 CM

	1	2	3	4	5	6	7	8	9	10
1	4.9500E-06	4.9333E-06	4.8922E-06	4.8396E-06	4.7348E-06	4.4874E-06	4.0890E-06	3.6215E-06	3.0744E-06	2.4962E-06
2	4.9333E-06	4.9333E-06	4.9069E-06	4.8828E-06	4.8867E-06	4.7777E-06	4.3956E-06	3.8816E-06	3.4028E-06	2.9893E-06
3	4.8922E-06	4.9069E-06	4.8922E-06	4.8828E-06	4.9928E-06	5.4040E-06	5.1883E-06	4.2563E-06	3.6292E-06	3.2481E-06
4	4.8396E-06	4.8828E-06	4.8828E-06	4.8396E-06	4.8867E-06	5.4040E-06	5.7295E-06	4.9587E-06	3.8405E-06	3.2370E-06
5	4.7348E-06	4.8867E-06	4.9928E-06	4.8867E-06	4.7348E-06	4.7777E-06	5.1883E-06	4.9587E-06	3.9526E-06	3.1644E-06
6	4.4874E-06	4.7777E-06	5.4040E-06	5.4040E-06	4.7777E-06	4.4874E-06	4.3956E-06	4.2563E-06	3.8405E-06	3.1644E-06
7	4.0890E-06	4.3956E-06	5.1883E-06	5.7295E-06	5.1883E-06	4.3956E-06	4.0890E-06	3.8816E-06	3.6292E-06	3.2370E-06
8	3.6215E-06	3.8816E-06	4.2563E-06	4.9587E-06	4.9587E-06	4.2563E-06	3.8816E-06	3.6215E-06	3.4028E-06	3.2481E-06
9	3.0744E-06	3.4028E-06	3.6292E-06	3.8405E-06	3.9526E-06	3.8405E-06	3.6292E-06	3.4028E-06	3.0744E-06	2.9893E-06
10	2.4962E-06	2.9893E-06	3.2481E-06	3.2370E-06	3.1644E-06	3.1644E-06	3.2370E-06	3.2481E-06	2.9893E-06	2.4962E-06
11	2.0593E-06	2.5266E-06	2.9763E-06	2.8645E-06	2.6021E-06	2.4989E-06	2.6021E-06	2.8645E-06	2.9763E-06	2.5266E-06
12	1.7412E-06	1.9208E-06	2.3696E-06	2.4736E-06	2.2156E-06	2.1511E-06	2.1511E-06	2.2156E-06	2.4736E-06	2.3696E-06
13	1.7135E-06	1.7086E-06	1.8557E-06	2.0181E-06	2.0256E-06	2.0120E-06	2.0357E-06	2.0120E-06	2.0256E-06	2.0181E-06
14	2.1780E-06	1.9364E-06	1.8241E-06	2.1340E-06	2.2343E-06	2.0812E-06	2.3171E-06	2.0812E-06	2.2343E-06	2.1340E-06
15	2.2240E-06	2.3422E-06	2.1773E-06	2.3205E-06	2.7454E-06	2.5574E-06	2.6196E-06	2.9528E-06	2.6196E-06	2.5574E-06
16	1.5396E-06	1.8609E-06	2.0283E-06	2.1620E-06	2.3557E-06	2.4791E-06	2.5249E-06	2.6115E-06	2.6115E-06	2.5249E-06
17	7.1299E-07	1.0171E-06	1.2102E-06	1.3443E-06	1.4619E-06	1.5626E-06	1.6279E-06	1.6718E-06	1.6921E-06	1.6718E-06
18	1.0903E-07	2.0440E-07	2.6523E-07	3.0586E-07	3.3699E-07	3.6343E-07	3.8354E-07	3.9687E-07	4.0447E-07	4.0447E-07
	11	12	13	14	15	16	17	18		
1	2.0593E-06	1.7412E-06	1.7135E-06	2.1780E-06	2.2240E-06	1.5396E-06	7.1299E-07	1.0903E-07		
2	2.5266E-06	1.9208E-06	1.7086E-06	1.9364E-06	2.3422E-06	1.8609E-06	1.0171E-06	2.0440E-07		
3	2.9763E-06	2.3696E-06	1.8557E-06	1.8241E-06	2.1773E-06	2.0283E-06	1.2102E-06	2.6523E-07		
4	2.8645E-06	2.4736E-06	2.0181E-06	2.1340E-06	2.3205E-06	2.1620E-06	1.3443E-06	3.0586E-07		
5	2.6021E-06	2.2156E-06	2.0256E-06	2.2343E-06	2.7454E-06	2.3557E-06	1.4619E-06	3.3699E-07		
6	2.4989E-06	2.1511E-06	2.0120E-06	2.0812E-06	2.5574E-06	2.4791E-06	1.5626E-06	3.6343E-07		
7	2.6021E-06	2.1511E-06	2.0357E-06	2.3171E-06	2.6196E-06	2.5249E-06	1.6279E-06	3.8354E-07		
8	2.8645E-06	2.2156E-06	2.0120E-06	2.3171E-06	2.9528E-06	2.6115E-06	1.6718E-06	3.9687E-07		
9	2.9763E-06	2.4736E-06	2.0256E-06	2.0812E-06	2.6196E-06	2.6115E-06	1.6921E-06	4.0447E-07		
10	2.5266E-06	2.3696E-06	2.0181E-06	2.2343E-06	2.5574E-06	2.5249E-06	1.6718E-06	4.0447E-07		
11	2.0593E-06	1.9208E-06	1.8557E-06	2.1340E-06	2.7454E-06	2.4791E-06	1.6279E-06	3.9687E-07		
12	1.9208E-06	1.7412E-06	1.7086E-06	1.8241E-06	2.3205E-06	2.3557E-06	1.5626E-06	3.8354E-07		
13	1.8557E-06	1.7086E-06	1.7135E-06	1.9364E-06	2.1773E-06	2.1620E-06	1.4619E-06	3.6343E-07		
14	2.1340E-06	1.8241E-06	1.9364E-06	2.1780E-06	2.3422E-06	2.0283E-06	1.3443E-06	3.3699E-07		
15	2.7454E-06	2.3205E-06	2.1773E-06	2.3422E-06	2.2240E-06	1.8609E-06	1.2102E-06	3.0586E-07		
16	2.4791E-06	2.3557E-06	2.1620E-06	2.0283E-06	1.8609E-06	1.5396E-06	1.0171E-06	2.6523E-07		
17	1.6279E-06	1.5626E-06	1.4619E-06	1.3443E-06	1.2102E-06	1.0171E-06	7.1299E-07	2.0440E-07		
18	3.9687E-07	3.8354E-07	3.6343E-07	3.3699E-07	3.0586E-07	2.6523E-07	2.0440E-07	1.0903E-07		

4 FLUX GROUP 12 PLANE HZ = 106.50000 CM

	1	2	3	4	5	6	7	8	9	10
1	4.7129E-06	4.6989E-06	4.6657E-06	4.6262E-06	4.5412E-06	4.3254E-06	3.9785E-06	3.5921E-06	3.1514E-06	2.6302E-06
2	4.6989E-06	4.6989E-06	4.6777E-06	4.6637E-06	4.6823E-06	4.5967E-06	4.2556E-06	3.8101E-06	3.4426E-06	3.1804E-06
3	4.6657E-06	4.6777E-06	4.6657E-06	4.6637E-06	4.7840E-06	5.2058E-06	5.0166E-06	4.1460E-06	3.6137E-06	3.4156E-06
4	4.6262E-06	4.6637E-06	4.6637E-06	4.6262E-06	4.6823E-06	5.2058E-06	5.5436E-06	4.8123E-06	3.7670E-06	3.2615E-06
5	4.5412E-06	4.6823E-06	4.7840E-06	4.6823E-06	4.5412E-06	4.5967E-06	5.0166E-06	4.8123E-06	3.8575E-06	3.1225E-06
6	4.3254E-06	4.5967E-06	5.2058E-06	5.2058E-06	4.5967E-06	4.3254E-06	4.2556E-06	4.1460E-06	3.7670E-06	3.1225E-06
7	3.9785E-06	4.2556E-06	5.0166E-06	5.5436E-06	5.0166E-06	4.2556E-06	3.9785E-06	3.8101E-06	3.6137E-06	3.2615E-06
8	3.5921E-06	3.8101E-06	4.1460E-06	4.8123E-06	4.8123E-06	4.1460E-06	3.8101E-06	3.5921E-06	3.4426E-06	3.4156E-06
9	3.1514E-06	3.4426E-06	3.6137E-06	3.7670E-06	3.8575E-06	3.7670E-06	3.6137E-06	3.4426E-06	3.1514E-06	3.1804E-06
10	2.6302E-06	3.1804E-06	3.4156E-06	3.2615E-06	3.1225E-06	3.1225E-06	3.2615E-06	3.4156E-06	3.1804E-06	2.6302E-06
11	2.1569E-06	2.7210E-06	3.2499E-06	3.0290E-06	2.6169E-06	2.4773E-06	2.6169E-06	3.0290E-06	3.2499E-06	2.7210E-06
12	1.7714E-06	1.9956E-06	2.5444E-06	2.6398E-06	2.2601E-06	2.1396E-06	2.1396E-06	2.2601E-06	2.6398E-06	2.5444E-06
13	1.7002E-06	1.7154E-06	1.8922E-06	2.0689E-06	2.0494E-06	1.9974E-06	2.0066E-06	1.9974E-06	2.0494E-06	2.0689E-06
14	2.1318E-06	1.9056E-06	1.8069E-06	2.1212E-06	2.2156E-06	2.0496E-06	2.2678E-06	2.2678E-06	2.0496E-06	2.2156E-06
15	2.1638E-06	2.2838E-06	2.1293E-06	2.2735E-06	2.6876E-06	2.4984E-06	2.5510E-06	2.8703E-06	2.5510E-06	2.4984E-06
16	1.4938E-06	1.8076E-06	1.9730E-06	2.1052E-06	2.2939E-06	2.4113E-06	2.4513E-06	2.5318E-06	2.5318E-06	2.4513E-06
17	6.9084E-07	9.8613E-07	1.1744E-06	1.3056E-06	1.4202E-06	1.5170E-06	1.5784E-06	1.6188E-06	1.6376E-06	1.6188E-06
18	1.0562E-07	1.9809E-07	2.5722E-07	2.9685E-07	3.2721E-07	3.5280E-07	3.7198E-07	3.8442E-07	3.9145E-07	3.9145E-07
	11	12	13	14	15	16	17	18		
1	2.1569E-06	1.7714E-06	1.7002E-06	2.1318E-06	2.1638E-06	1.4938E-06	6.9084E-07	1.0562E-07		
2	2.7210E-06	1.9956E-06	1.7154E-06	1.9056E-06	2.2838E-06	1.8076E-06	9.8613E-07	1.9809E-07		
3	3.2499E-06	2.5444E-06	1.8922E-06	1.8069E-06	2.1293E-06	1.9730E-06	1.1744E-06	2.5722E-07		
4	3.0290E-06	2.6398E-06	2.0689E-06	2.1212E-06	2.2735E-06	2.1052E-06	1.3056E-06	2.9685E-07		
5	2.6169E-06	2.2601E-06	2.0494E-06	2.2156E-06	2.6876E-06	2.2939E-06	1.4202E-06	3.2721E-07		
6	2.4773E-06	2.1396E-06	1.9974E-06	2.0496E-06	2.4984E-06	2.4113E-06	1.5170E-06	3.5280E-07		
7	2.6169E-06	2.1396E-06	2.0066E-06	2.2678E-06	2.5510E-06	2.4513E-06	1.5784E-06	3.7198E-07		
8	3.0290E-06	2.2601E-06	1.9974E-06	2.2678E-06	2.8703E-06	2.5318E-06	1.6188E-06	3.8442E-07		
9	3.2499E-06	2.6398E-06	2.0494E-06	2.0496E-06	2.5510E-06	2.5318E-06	1.6376E-06	3.9145E-07		
10	2.7210E-06	2.5444E-06	2.0689E-06	2.2156E-06	2.4984E-06	2.4513E-06	1.6188E-06	3.9145E-07		
11	2.1569E-06	1.9956E-06	1.8922E-06	2.1212E-06	2.6876E-06	2.4113E-06	1.5784E-06	3.8442E-07		
12	1.9956E-06	1.7714E-06	1.7154E-06	1.8069E-06	2.2735E-06	2.2939E-06	1.5170E-06	3.7198E-07		
13	1.8922E-06	1.7154E-06	1.7002E-06	1.9056E-06	2.1293E-06	2.1052E-06	1.4202E-06	3.5280E-07		
14	2.1212E-06	1.8069E-06	1.9056E-06	2.1318E-06	2.2838E-06	1.9730E-06	1.3056E-06	3.2721E-07		
15	2.6876E-06	2.2735E-06	2.1293E-06	2.2838E-06	2.1638E-06	1.8076E-06	1.1744E-06	2.9685E-07		
16	2.4113E-06	2.2939E-06	2.1052E-06	1.9730E-06	1.8076E-06	1.4938E-06	9.8613E-07	2.5722E-07		
17	1.5784E-06	1.5170E-06	1.4202E-06	1.3056E-06	1.1744E-06	9.8613E-07	6.9084E-07	1.9809E-07		
18	3.8442E-07	3.7198E-07	3.5280E-07	3.2721E-07	2.9685E-07	2.5722E-07	1.9809E-07	1.0562E-07		

4 FLUX GROUP 13 PLANE HZ = 116.0000 CM

	1	2	3	4	5	6	7	8	9	10
1	4.3533E-06	4.3421E-06	4.3171E-06	4.2901E-06	4.2235E-06	4.0357E-06	3.7292E-06	3.3949E-06	3.0169E-06	2.5440E-06
2	4.3421E-06	4.3421E-06	4.3264E-06	4.3219E-06	4.3534E-06	4.2883E-06	3.9823E-06	3.5857E-06	3.2783E-06	3.0852E-06
3	4.3171E-06	4.3264E-06	4.3171E-06	4.3219E-06	4.4496E-06	4.8764E-06	4.7106E-06	3.8940E-06	3.4207E-06	3.2982E-06
4	4.2901E-06	4.3219E-06	4.3219E-06	4.2901E-06	4.3534E-06	4.8764E-06	5.2215E-06	4.5288E-06	3.5481E-06	3.1013E-06
5	4.2235E-06	4.3534E-06	4.4496E-06	4.3534E-06	4.2235E-06	4.2883E-06	4.7106E-06	4.5288E-06	3.6282E-06	2.9476E-06
6	4.0357E-06	4.2883E-06	4.8764E-06	4.8764E-06	4.2883E-06	4.0357E-06	3.9823E-06	3.8940E-06	3.5481E-06	2.9476E-06
7	3.7292E-06	3.9823E-06	4.7106E-06	5.2215E-06	4.7106E-06	3.9823E-06	3.7292E-06	3.5857E-06	3.4207E-06	3.1013E-06
8	3.3949E-06	3.5857E-06	3.8940E-06	4.5288E-06	4.5288E-06	3.8940E-06	3.5857E-06	3.3949E-06	3.2783E-06	3.2982E-06
9	3.0169E-06	3.2783E-06	3.4207E-06	3.5481E-06	3.6282E-06	3.5481E-06	3.4207E-06	3.2783E-06	3.0169E-06	3.0852E-06
10	2.5440E-06	3.0852E-06	3.2982E-06	3.1013E-06	2.9476E-06	2.9476E-06	3.1013E-06	3.2982E-06	3.0852E-06	2.5440E-06
11	2.0823E-06	2.6513E-06	3.1804E-06	2.9303E-06	2.4874E-06	2.3429E-06	2.4874E-06	2.9303E-06	3.1804E-06	2.6513E-06
12	1.6895E-06	1.9190E-06	2.4742E-06	2.5605E-06	2.1573E-06	2.0238E-06	2.0238E-06	2.1573E-06	2.5605E-06	2.4742E-06
13	1.5966E-06	1.6229E-06	1.8015E-06	1.9728E-06	1.9445E-06	1.8814E-06	1.8843E-06	1.8814E-06	1.9445E-06	1.9728E-06
14	1.9733E-06	1.7746E-06	1.6912E-06	1.9868E-06	2.0726E-06	1.9132E-06	2.1090E-06	2.1090E-06	1.9132E-06	2.0726E-06
15	1.9863E-06	2.1026E-06	1.9677E-06	2.1036E-06	2.4831E-06	2.3079E-06	2.3526E-06	2.6419E-06	2.3526E-06	2.3079E-06
16	1.3659E-06	1.6556E-06	1.8102E-06	1.9338E-06	2.1070E-06	2.2133E-06	2.2477E-06	2.3192E-06	2.3192E-06	2.2477E-06
17	6.3047E-07	9.0077E-07	1.0741E-06	1.1952E-06	1.3004E-06	1.3885E-06	1.4436E-06	1.4793E-06	1.4960E-06	1.4793E-06
18	9.6382E-08	1.8083E-07	2.3504E-07	2.7152E-07	2.9946E-07	3.2285E-07	3.4020E-07	3.5130E-07	3.5751E-07	3.5751E-07
	11	12	13	14	15	16	17	18		
1	2.0823E-06	1.6895E-06	1.5966E-06	1.9733E-06	1.9863E-06	1.3659E-06	6.3047E-07	9.6382E-08		
2	2.6513E-06	1.9190E-06	1.6229E-06	1.7746E-06	2.1026E-06	1.6556E-06	9.0077E-07	1.8083E-07		
3	3.1804E-06	2.4742E-06	1.8015E-06	1.6912E-06	1.9677E-06	1.8102E-06	1.0741E-06	2.3504E-07		
4	2.9303E-06	2.5605E-06	1.9728E-06	1.9868E-06	2.1036E-06	1.9338E-06	1.1952E-06	2.7152E-07		
5	2.4874E-06	2.1573E-06	1.9445E-06	2.0726E-06	2.4831E-06	2.1070E-06	1.3004E-06	2.9946E-07		
6	2.3429E-06	2.0238E-06	1.8814E-06	1.9132E-06	2.3079E-06	2.2133E-06	1.3885E-06	3.2285E-07		
7	2.4874E-06	2.0238E-06	1.8843E-06	2.1090E-06	2.3526E-06	2.2477E-06	1.4436E-06	3.4020E-07		
8	2.9303E-06	2.1573E-06	1.8814E-06	2.1090E-06	2.6419E-06	2.3192E-06	1.4793E-06	3.5130E-07		
9	3.1804E-06	2.5605E-06	1.9445E-06	1.9132E-06	2.3526E-06	2.3192E-06	1.4960E-06	3.5751E-07		
10	2.6513E-06	2.4742E-06	1.9728E-06	2.0726E-06	2.3079E-06	2.2477E-06	1.4793E-06	3.5751E-07		
11	2.0823E-06	1.9190E-06	1.8015E-06	1.9868E-06	2.4831E-06	2.2133E-06	1.4436E-06	3.5130E-07		
12	1.9190E-06	1.6895E-06	1.6229E-06	1.6912E-06	2.1036E-06	2.1070E-06	1.3885E-06	3.4020E-07		
13	1.8015E-06	1.6229E-06	1.5966E-06	1.7746E-06	1.9677E-06	1.9338E-06	1.3004E-06	3.2285E-07		
14	1.9868E-06	1.6912E-06	1.7746E-06	1.9733E-06	2.1026E-06	1.8102E-06	1.1952E-06	2.9946E-07		
15	2.4831E-06	2.1036E-06	1.9677E-06	2.1026E-06	1.9863E-06	1.6556E-06	1.0741E-06	2.7152E-07		
16	2.2133E-06	2.1070E-06	1.9338E-06	1.8102E-06	1.6556E-06	1.3659E-06	9.0077E-07	2.3504E-07		
17	1.4436E-06	1.3885E-06	1.3004E-06	1.1952E-06	1.0741E-06	9.0077E-07	6.3047E-07	1.8083E-07		
18	3.5130E-07	3.4020E-07	3.2285E-07	2.9946E-07	2.7152E-07	2.3504E-07	1.8083E-07	9.6382E-08		

4 FLUX GROUP 14 PLANE HZ = 125.50000 CM

	1	2	3	4	5	6	7	8	9	10
1	4.2043E-06	4.1946E-06	4.1731E-06	4.1503E-06	4.0905E-06	3.9166E-06	3.6317E-06	3.3231E-06	2.9784E-06	2.5360E-06
2	4.1946E-06	4.1946E-06	4.1812E-06	4.1793E-06	4.2129E-06	4.1556E-06	3.8692E-06	3.4990E-06	3.2204E-06	3.0704E-06
3	4.1731E-06	4.1812E-06	4.1731E-06	4.1793E-06	4.3043E-06	4.7341E-06	4.5797E-06	3.7887E-06	3.3476E-06	3.2675E-06
4	4.1503E-06	4.1793E-06	4.1793E-06	4.1503E-06	4.2129E-06	4.7341E-06	5.0878E-06	4.4094E-06	3.4633E-06	3.0491E-06
5	4.0905E-06	4.2129E-06	4.3043E-06	4.2129E-06	4.0905E-06	4.1556E-06	4.5797E-06	4.4094E-06	3.5388E-06	2.8976E-06
6	3.9166E-06	4.1556E-06	4.7341E-06	4.7341E-06	4.1556E-06	3.9166E-06	3.8692E-06	3.7887E-06	3.4633E-06	2.8976E-06
7	3.6317E-06	3.8692E-06	4.5797E-06	5.0878E-06	4.5797E-06	3.8692E-06	3.6317E-06	3.4990E-06	3.3476E-06	3.0491E-06
8	3.3231E-06	3.4990E-06	3.7887E-06	4.4094E-06	4.4094E-06	3.7887E-06	3.4990E-06	3.3231E-06	3.2204E-06	3.2675E-06
9	2.9784E-06	3.2204E-06	3.3476E-06	3.4633E-06	3.5388E-06	3.4633E-06	3.3476E-06	3.2204E-06	2.9784E-06	3.0704E-06
10	2.5360E-06	3.0704E-06	3.2675E-06	3.0491E-06	2.8976E-06	2.8976E-06	3.0491E-06	3.2675E-06	3.0704E-06	2.5360E-06
11	2.0811E-06	2.6536E-06	3.1821E-06	2.9149E-06	2.4634E-06	2.3234E-06	2.4634E-06	2.9149E-06	3.1821E-06	2.6536E-06
12	1.6732E-06	1.9100E-06	2.4701E-06	2.5522E-06	2.1399E-06	2.0065E-06	2.0065E-06	2.1399E-06	2.5522E-06	2.4701E-06
13	1.5313E-06	1.5826E-06	1.7650E-06	1.9312E-06	1.9033E-06	1.8385E-06	1.8385E-06	1.9033E-06	1.9312E-06	1.9312E-06
14	1.7969E-06	1.6544E-06	1.6005E-06	1.8728E-06	1.9534E-06	1.8119E-06	1.9818E-06	1.9818E-06	1.8119E-06	1.9534E-06
15	1.7474E-06	1.8714E-06	1.7795E-06	1.9081E-06	2.2374E-06	2.0931E-06	2.1310E-06	2.3746E-06	2.1310E-06	2.0931E-06
16	1.1841E-06	1.4435E-06	1.5893E-06	1.7055E-06	1.8577E-06	1.9510E-06	1.9820E-06	2.0414E-06	2.0414E-06	1.9820E-06
17	5.4293E-07	7.7800E-07	9.3150E-07	1.0402E-06	1.1333E-06	1.2099E-06	1.2576E-06	1.2879E-06	1.3017E-06	1.2879E-06
18	8.2959E-08	1.5585E-07	2.0322E-07	2.3557E-07	2.6038E-07	2.8086E-07	2.9588E-07	3.0540E-07	3.1064E-07	3.1064E-07
	11	12	13	14	15	16	17	18		
1	2.0811E-06	1.6732E-06	1.5313E-06	1.7969E-06	1.7474E-06	1.1841E-06	5.4293E-07	8.2959E-08		
2	2.6536E-06	1.9100E-06	1.5826E-06	1.6544E-06	1.8714E-06	1.4435E-06	7.7800E-07	1.5585E-07		
3	3.1821E-06	2.4701E-06	1.7650E-06	1.6005E-06	1.7795E-06	1.5893E-06	9.3150E-07	2.0322E-07		
4	2.9149E-06	2.5522E-06	1.9312E-06	1.8728E-06	1.9081E-06	1.7055E-06	1.0402E-06	2.3557E-07		
5	2.4634E-06	2.1399E-06	1.9033E-06	1.9534E-06	2.2374E-06	1.8577E-06	1.1333E-06	2.6038E-07		
6	2.3234E-06	2.0065E-06	1.8385E-06	1.8119E-06	2.0931E-06	1.9510E-06	1.2099E-06	2.8086E-07		
7	2.4634E-06	2.0065E-06	1.8377E-06	1.9818E-06	2.1310E-06	1.9820E-06	1.2576E-06	2.9588E-07		
8	2.9149E-06	2.1399E-06	1.8385E-06	1.9818E-06	2.3746E-06	2.0414E-06	1.2879E-06	3.0540E-07		
9	3.1821E-06	2.5522E-06	1.9033E-06	1.8119E-06	2.1310E-06	2.0414E-06	1.3017E-06	3.1064E-07		
10	2.6536E-06	2.4701E-06	1.9312E-06	1.9534E-06	2.0931E-06	1.9820E-06	1.2879E-06	3.1064E-07		
11	2.0811E-06	1.9100E-06	1.7650E-06	1.8728E-06	2.2374E-06	1.9510E-06	1.2576E-06	3.0540E-07		
12	1.9100E-06	1.6732E-06	1.5826E-06	1.6005E-06	1.9081E-06	1.8577E-06	1.2099E-06	2.9588E-07		
13	1.7650E-06	1.5826E-06	1.5313E-06	1.6544E-06	1.7795E-06	1.7055E-06	1.1333E-06	2.8086E-07		
14	1.8728E-06	1.6005E-06	1.6544E-06	1.7969E-06	1.8714E-06	1.5893E-06	1.0402E-06	2.6038E-07		
15	2.2374E-06	1.9081E-06	1.7795E-06	1.8714E-06	1.7474E-06	1.4435E-06	9.3150E-07	2.3557E-07		
16	1.9510E-06	1.8577E-06	1.7055E-06	1.5893E-06	1.4435E-06	1.1841E-06	7.7800E-07	2.0322E-07		
17	1.2576E-06	1.2099E-06	1.1333E-06	1.0402E-06	9.3150E-07	7.7800E-07	5.4293E-07	1.5585E-07		
18	3.0540E-07	2.9588E-07	2.8086E-07	2.6038E-07	2.3557E-07	2.0322E-07	1.5585E-07	8.2959E-08		

4 FLUX GROUP 15 PLANE HZ = 135.00000 CM

	1	2	3	4	5	6	7	8	9	10
1	5.3442E-06	5.3303E-06	5.2939E-06	5.2404E-06	5.1377E-06	4.9225E-06	4.5949E-06	4.2281E-06	3.8312E-06	3.3640E-06
2	5.3303E-06	5.3303E-06	5.3069E-06	5.2775E-06	5.2531E-06	5.1382E-06	4.8273E-06	4.4237E-06	4.0655E-06	3.7827E-06
3	5.2939E-06	5.3069E-06	5.2939E-06	5.2775E-06	5.3276E-06	5.5430E-06	5.3583E-06	4.6892E-06	4.2146E-06	3.9592E-06
4	5.2404E-06	5.2775E-06	5.2775E-06	5.2404E-06	5.2531E-06	5.5430E-06	5.6930E-06	5.1593E-06	4.3431E-06	3.8769E-06
5	5.1377E-06	5.2531E-06	5.3276E-06	5.2531E-06	5.1377E-06	5.1382E-06	5.3583E-06	5.1593E-06	4.4142E-06	3.7988E-06
6	4.9225E-06	5.1382E-06	5.5430E-06	5.5430E-06	5.1382E-06	4.9225E-06	4.8273E-06	4.6892E-06	4.3431E-06	3.7988E-06
7	4.5949E-06	4.8273E-06	5.3583E-06	5.6930E-06	5.3583E-06	4.8273E-06	4.5949E-06	4.4237E-06	4.2146E-06	3.8769E-06
8	4.2281E-06	4.4237E-06	4.6892E-06	5.1593E-06	5.1593E-06	4.6892E-06	4.4237E-06	4.2281E-06	4.0655E-06	3.9592E-06
9	3.8312E-06	4.0655E-06	4.2146E-06	4.3431E-06	4.4142E-06	4.3431E-06	4.2146E-06	4.0655E-06	3.8312E-06	3.7827E-06
10	3.3640E-06	3.7827E-06	3.9592E-06	3.8769E-06	3.7988E-06	3.7988E-06	3.8769E-06	3.9592E-06	3.7827E-06	3.3640E-06
11	2.8463E-06	3.3457E-06	3.7428E-06	3.6077E-06	3.3211E-06	3.2293E-06	3.3211E-06	3.6077E-06	3.7428E-06	3.3457E-06
12	2.3257E-06	2.6082E-06	3.1074E-06	3.2052E-06	2.9175E-06	2.8211E-06	2.8211E-06	2.9175E-06	3.1074E-06	2.6082E-06
13	1.9820E-06	2.1331E-06	2.3572E-06	2.5398E-06	2.5469E-06	2.5047E-06	2.5030E-06	2.5047E-06	2.5469E-06	2.5398E-06
14	1.8688E-06	1.9182E-06	1.9839E-06	2.2232E-06	2.3222E-06	2.2582E-06	2.3648E-06	2.2582E-06	2.3222E-06	2.2232E-06
15	1.5438E-06	1.7353E-06	1.8063E-06	1.9495E-06	2.1634E-06	2.1434E-06	2.1799E-06	2.2933E-06	2.1799E-06	2.1434E-06
16	9.9023E-07	1.2318E-06	1.3949E-06	1.5236E-06	1.6509E-06	1.7350E-06	1.7745E-06	1.8127E-06	1.8127E-06	1.7745E-06
17	4.4453E-07	6.4281E-07	7.8007E-07	8.8166E-07	9.6424E-07	1.0290E-06	1.0708E-06	1.0959E-06	1.1058E-06	1.0959E-06
18	6.7796E-08	1.2786E-07	1.6838E-07	1.9733E-07	2.1960E-07	2.3725E-07	2.5003E-07	2.5812E-07	2.6228E-07	2.6228E-07
	11	12	13	14	15	16	17	18		
1	2.8463E-06	2.3257E-06	1.9820E-06	1.8688E-06	1.5438E-06	9.9023E-07	4.4453E-07	6.7796E-08		
2	3.3457E-06	2.6082E-06	2.1331E-06	1.9182E-06	1.7353E-06	1.2318E-06	6.4281E-07	1.2786E-07		
3	3.7428E-06	3.1074E-06	2.3572E-06	1.9839E-06	1.8063E-06	1.3949E-06	7.8007E-07	1.6838E-07		
4	3.6077E-06	3.2052E-06	2.5398E-06	2.2232E-06	1.9495E-06	1.5236E-06	8.8166E-07	1.9733E-07		
5	3.3211E-06	2.9175E-06	2.5469E-06	2.3222E-06	2.1634E-06	1.6509E-06	9.6424E-07	2.1960E-07		
6	3.2293E-06	2.8211E-06	2.5047E-06	2.2582E-06	2.1434E-06	1.7350E-06	1.0290E-06	2.3725E-07		
7	3.3211E-06	2.8211E-06	2.5030E-06	2.3648E-06	2.1799E-06	1.7745E-06	1.0708E-06	2.5003E-07		
8	3.6077E-06	2.9175E-06	2.5047E-06	2.3648E-06	2.2933E-06	1.8127E-06	1.0959E-06	2.5812E-07		
9	3.7428E-06	3.2052E-06	2.5469E-06	2.2582E-06	2.1799E-06	1.8127E-06	1.1058E-06	2.6228E-07		
10	3.3457E-06	3.1074E-06	2.5398E-06	2.3222E-06	2.1434E-06	1.7745E-06	1.0959E-06	2.6228E-07		
11	2.8463E-06	2.6082E-06	2.3572E-06	2.2232E-06	2.1634E-06	1.7350E-06	1.0708E-06	2.5812E-07		
12	2.6082E-06	2.3257E-06	2.1331E-06	1.9839E-06	1.9495E-06	1.6509E-06	1.0290E-06	2.5003E-07		
13	2.3572E-06	2.1331E-06	1.9820E-06	1.9182E-06	1.8063E-06	1.5236E-06	9.6424E-07	2.3725E-07		
14	2.2232E-06	1.9839E-06	1.9182E-06	1.8688E-06	1.7353E-06	1.3949E-06	8.8166E-07	2.1960E-07		
15	2.1634E-06	1.9495E-06	1.8063E-06	1.7353E-06	1.5438E-06	1.2318E-06	7.8007E-07	1.9733E-07		
16	1.7350E-06	1.6509E-06	1.5236E-06	1.3949E-06	1.2318E-06	9.9023E-07	6.4281E-07	1.6838E-07		
17	1.0708E-06	1.0290E-06	9.6424E-07	8.8166E-07	7.8007E-07	6.4281E-07	4.4453E-07	1.2786E-07		
18	2.5812E-07	2.5003E-07	2.3725E-07	2.1960E-07	1.9733E-07	1.6838E-07	1.2786E-07	6.7796E-08		

4 FLUX GROUP 16 PLANE HZ = 145.00000 CM

	1	2	3	4	5	6	7	8	9	10
1	6.3279E-06	6.3095E-06	6.2561E-06	6.1662E-06	6.0161E-06	5.7665E-06	5.4145E-06	5.0078E-06	4.5844E-06	4.1393E-06
2	6.3095E-06	6.3095E-06	6.2746E-06	6.2109E-06	6.1135E-06	5.9349E-06	5.6196E-06	5.2096E-06	4.7837E-06	4.3626E-06
3	6.2561E-06	6.2746E-06	6.2561E-06	6.2109E-06	6.1606E-06	6.1019E-06	5.8946E-06	5.4216E-06	4.9472E-06	4.4980E-06
4	6.1662E-06	6.2109E-06	6.2109E-06	6.1662E-06	6.1135E-06	6.1019E-06	6.0166E-06	5.6774E-06	5.0848E-06	4.5987E-06
5	6.0161E-06	6.1135E-06	6.1606E-06	6.1135E-06	6.0161E-06	5.9349E-06	5.8946E-06	5.6774E-06	5.1470E-06	4.6324E-06
6	5.7665E-06	5.9349E-06	6.1019E-06	6.1019E-06	5.9349E-06	5.7665E-06	5.6196E-06	5.4216E-06	5.0848E-06	4.6324E-06
7	5.4145E-06	5.6196E-06	5.8946E-06	6.0166E-06	5.8946E-06	5.6196E-06	5.4145E-06	5.2096E-06	4.9472E-06	4.5987E-06
8	5.0078E-06	5.2096E-06	5.4216E-06	5.6774E-06	5.6774E-06	5.4216E-06	5.2096E-06	5.0078E-06	4.7837E-06	4.4980E-06
9	4.5844E-06	4.7837E-06	4.9472E-06	5.0848E-06	5.1470E-06	5.0848E-06	4.9472E-06	4.7837E-06	4.5844E-06	4.3626E-06
10	4.1393E-06	4.3626E-06	4.4980E-06	4.5987E-06	4.6324E-06	4.6324E-06	4.5987E-06	4.4980E-06	4.3626E-06	4.1393E-06
11	3.6023E-06	3.9451E-06	4.1472E-06	4.1848E-06	4.1543E-06	4.1453E-06	4.1543E-06	4.1848E-06	4.1472E-06	3.9451E-06
12	2.9891E-06	3.2991E-06	3.6584E-06	3.7683E-06	3.6865E-06	3.6617E-06	3.6617E-06	3.6865E-06	3.7683E-06	3.6584E-06
13	2.4097E-06	2.6760E-06	2.9293E-06	3.1132E-06	3.1714E-06	3.1724E-06	3.1740E-06	3.1724E-06	3.1714E-06	3.1132E-06
14	1.8680E-06	2.1221E-06	2.3213E-06	2.5074E-06	2.6232E-06	2.6572E-06	2.6878E-06	2.6878E-06	2.6572E-06	2.6232E-06
15	1.2888E-06	1.5361E-06	1.7566E-06	1.9083E-06	2.0071E-06	2.1046E-06	2.1394E-06	2.1280E-06	2.1394E-06	2.1046E-06
16	7.6884E-07	9.8296E-07	1.1537E-06	1.2878E-06	1.3869E-06	1.4594E-06	1.5052E-06	1.5229E-06	1.5229E-06	1.5052E-06
17	3.3503E-07	4.9072E-07	6.0662E-07	6.9669E-07	7.6589E-07	8.1702E-07	8.5186E-07	8.7129E-07	8.7728E-07	8.7129E-07
18	5.0958E-08	9.6641E-08	1.2902E-07	1.5349E-07	1.7237E-07	1.8665E-07	1.9685E-07	2.0330E-07	2.0634E-07	2.0634E-07
	11	12	13	14	15	16	17	18		
1	3.6023E-06	2.9891E-06	2.4097E-06	1.8680E-06	1.2888E-06	7.6884E-07	3.3503E-07	5.0958E-08		
2	3.9451E-06	3.2991E-06	2.6760E-06	2.1221E-06	1.5361E-06	9.8296E-07	4.9072E-07	9.6641E-08		
3	4.1472E-06	3.6584E-06	2.9293E-06	2.3213E-06	1.7566E-06	1.1537E-06	6.0662E-07	1.2902E-07		
4	4.1848E-06	3.7683E-06	3.1132E-06	2.5074E-06	1.9083E-06	1.2878E-06	6.9669E-07	1.5349E-07		
5	4.1543E-06	3.6865E-06	3.1714E-06	2.6232E-06	2.0071E-06	1.3869E-06	7.6589E-07	1.7237E-07		
6	4.1453E-06	3.6617E-06	3.1724E-06	2.6572E-06	2.1046E-06	1.4594E-06	8.1702E-07	1.8665E-07		
7	4.1543E-06	3.6617E-06	3.1740E-06	2.6878E-06	2.1394E-06	1.5052E-06	8.5186E-07	1.9685E-07		
8	4.1848E-06	3.6865E-06	3.1724E-06	2.6878E-06	2.1280E-06	1.5229E-06	8.7129E-07	2.0330E-07		
9	4.1472E-06	3.7683E-06	3.1714E-06	2.6572E-06	2.1394E-06	1.5229E-06	8.7728E-07	2.0634E-07		
10	3.9451E-06	3.6584E-06	3.1132E-06	2.6232E-06	2.1046E-06	1.5052E-06	8.7129E-07	2.0634E-07		
11	3.6023E-06	3.2991E-06	2.9293E-06	2.5074E-06	2.0071E-06	1.4594E-06	8.5186E-07	2.0330E-07		
12	3.2991E-06	2.9891E-06	2.6760E-06	2.3213E-06	1.9083E-06	1.3869E-06	8.1702E-07	1.9685E-07		
13	2.9293E-06	2.6760E-06	2.4097E-06	2.1221E-06	1.7566E-06	1.2878E-06	7.6589E-07	1.8665E-07		
14	2.5074E-06	2.3213E-06	2.1221E-06	1.8680E-06	1.5361E-06	1.1537E-06	6.9669E-07	1.7237E-07		
15	2.0071E-06	1.9083E-06	1.7566E-06	1.5361E-06	1.2888E-06	9.8296E-07	6.0662E-07	1.5349E-07		
16	1.4594E-06	1.3869E-06	1.2878E-06	1.1537E-06	9.8296E-07	7.6884E-07	4.9072E-07	1.2902E-07		
17	8.5186E-07	8.1702E-07	7.6589E-07	6.9669E-07	6.0662E-07	4.9072E-07	3.3503E-07	9.6641E-08		
18	2.0330E-07	1.9685E-07	1.8665E-07	1.7237E-07	1.5349E-07	1.2902E-07	9.6641E-08	5.0958E-08		

4 FLUX GROUP 17 PLANE HZ = 155.00000 CM

	1	2	3	4	5	6	7	8	9	10
1	4.9157E-06	4.9027E-06	4.8645E-06	4.7990E-06	4.6873E-06	4.4982E-06	4.2305E-06	3.9240E-06	3.6136E-06	3.2849E-06
2	4.9027E-06	4.9027E-06	4.8778E-06	4.8322E-06	4.7623E-06	4.6293E-06	4.3881E-06	4.0754E-06	3.7584E-06	3.4640E-06
3	4.8645E-06	4.8778E-06	4.8645E-06	4.8322E-06	4.7995E-06	4.7795E-06	4.6215E-06	4.2395E-06	3.8786E-06	3.5611E-06
4	4.7990E-06	4.8322E-06	4.8322E-06	4.7990E-06	4.7623E-06	4.7795E-06	4.7359E-06	4.4563E-06	3.9840E-06	3.6181E-06
5	4.6873E-06	4.7623E-06	4.7995E-06	4.7623E-06	4.6873E-06	4.6293E-06	4.6215E-06	4.4563E-06	4.0337E-06	3.6454E-06
6	4.4982E-06	4.6293E-06	4.7795E-06	4.7795E-06	4.6293E-06	4.4982E-06	4.3881E-06	4.2395E-06	3.9840E-06	3.6454E-06
7	4.2305E-06	4.3881E-06	4.6215E-06	4.7359E-06	4.6215E-06	4.3881E-06	4.2305E-06	4.0754E-06	3.8786E-06	3.6181E-06
8	3.9240E-06	4.0754E-06	4.2395E-06	4.4563E-06	4.4563E-06	4.2395E-06	4.0754E-06	3.9240E-06	3.7584E-06	3.5611E-06
9	3.6136E-06	3.7584E-06	3.8786E-06	3.9840E-06	4.0337E-06	3.9840E-06	3.8786E-06	3.7584E-06	3.6136E-06	3.4640E-06
10	3.2849E-06	3.4640E-06	3.5611E-06	3.6181E-06	3.6454E-06	3.6454E-06	3.6181E-06	3.5611E-06	3.4640E-06	3.2849E-06
11	2.8614E-06	3.1439E-06	3.3107E-06	3.3223E-06	3.2833E-06	3.2784E-06	3.2833E-06	3.2223E-06	3.3107E-06	3.1439E-06
12	2.3570E-06	2.6118E-06	2.9089E-06	2.9935E-06	2.9143E-06	2.8938E-06	2.8938E-06	2.9143E-06	2.9935E-06	2.9089E-06
13	1.8586E-06	2.0876E-06	2.2932E-06	2.4373E-06	2.4828E-06	2.4821E-06	2.4816E-06	2.4821E-06	2.4828E-06	2.4373E-06
14	1.3753E-06	1.5998E-06	1.7707E-06	1.9098E-06	1.9985E-06	2.0310E-06	2.0457E-06	2.0457E-06	2.0310E-06	1.9985E-06
15	8.9942E-07	1.0952E-06	1.2805E-06	1.3968E-06	1.4590E-06	1.5422E-06	1.5666E-06	1.5450E-06	1.5666E-06	1.5422E-06
16	5.1918E-07	6.7284E-07	8.0154E-07	9.0258E-07	9.7192E-07	1.0232E-06	1.0570E-06	1.0666E-06	1.0666E-06	1.0570E-06
17	2.2252E-07	3.2837E-07	4.1000E-07	4.7478E-07	5.2365E-07	5.881E-07	5.8294E-07	5.9594E-07	5.9952E-07	5.9594E-07
18	3.3796E-08	6.4309E-08	8.6542E-08	1.0381E-07	1.1719E-07	1.2712E-07	1.3412E-07	1.3850E-07	1.4049E-07	1.4049E-07
	11	12	13	14	15	16	17	18		
1	2.8614E-06	2.3570E-06	1.8586E-06	1.3753E-06	8.9942E-07	5.1918E-07	2.2252E-07	3.3796E-08		
2	3.1439E-06	2.6118E-06	2.0876E-06	1.5998E-06	1.0952E-06	6.7284E-07	3.2837E-07	6.4309E-08		
3	3.3107E-06	2.9089E-06	2.2932E-06	1.7707E-06	1.2805E-06	8.0154E-07	4.1000E-07	8.6542E-08		
4	3.3223E-06	2.9935E-06	2.4373E-06	1.9098E-06	1.3968E-06	9.0258E-07	4.7478E-07	1.0381E-07		
5	3.2833E-06	2.9143E-06	2.4828E-06	1.9985E-06	1.4590E-06	9.7192E-07	5.2365E-07	1.1719E-07		
6	3.2784E-06	2.8938E-06	2.4821E-06	2.0310E-06	1.5422E-06	1.0232E-06	5.5881E-07	1.2712E-07		
7	3.2833E-06	2.8938E-06	2.4816E-06	2.0457E-06	1.5666E-06	1.0570E-06	5.8294E-07	1.3412E-07		
8	3.3223E-06	2.9143E-06	2.4821E-06	2.0457E-06	1.5450E-06	1.0666E-06	5.9594E-07	1.3850E-07		
9	3.3107E-06	2.9935E-06	2.4828E-06	2.0310E-06	1.5666E-06	1.0666E-06	5.9952E-07	1.4049E-07		
10	3.1439E-06	2.9089E-06	2.4373E-06	1.9985E-06	1.5422E-06	1.0570E-06	5.9594E-07	1.4049E-07		
11	2.8614E-06	2.6118E-06	2.2932E-06	1.9098E-06	1.4590E-06	1.0232E-06	5.8294E-07	1.3850E-07		
12	2.6118E-06	2.3570E-06	2.0876E-06	1.7707E-06	1.3968E-06	9.7192E-07	5.5881E-07	1.3412E-07		
13	2.2932E-06	2.0876E-06	1.8586E-06	1.5998E-06	1.2805E-06	9.0258E-07	5.2365E-07	1.2712E-07		
14	1.9098E-06	1.7707E-06	1.5998E-06	1.3753E-06	1.0952E-06	8.0154E-07	4.7478E-07	1.1719E-07		
15	1.4590E-06	1.3968E-06	1.2805E-06	1.0952E-06	8.9942E-07	6.7284E-07	4.1000E-07	1.0381E-07		
16	1.0232E-06	9.7192E-07	9.0258E-07	8.0154E-07	6.7284E-07	5.1918E-07	3.2837E-07	8.6542E-08		
17	5.8294E-07	5.5881E-07	5.2365E-07	4.7478E-07	4.1000E-07	3.2837E-07	2.2252E-07	6.4309E-08		
18	1.3850E-07	1.3412E-07	1.2712E-07	1.1719E-07	1.0381E-07	8.6542E-08	6.4309E-08	3.3796E-08		

4 FLUX GROUP 18 PLANE HZ = 165.00000 CM

	1	2	3	4	5	6	7	8	9	10
1	2.7648E-06	2.7587E-06	2.7413E-06	2.7113E-06	2.6553E-06	2.5516E-06	2.4006E-06	2.2313E-06	2.0670E-06	1.8881E-06
2	2.7587E-06	2.7587E-06	2.7476E-06	2.7284E-06	2.6999E-06	2.6326E-06	2.4947E-06	2.3161E-06	2.1453E-06	2.0002E-06
3	2.7413E-06	2.7476E-06	2.7413E-06	2.7284E-06	2.7243E-06	2.7431E-06	2.6557E-06	2.4168E-06	2.2103E-06	2.0527E-06
4	2.7113E-06	2.7284E-06	2.7284E-06	2.7113E-06	2.6999E-06	2.7431E-06	2.7416E-06	2.5635E-06	2.2706E-06	2.0650E-06
5	2.6553E-06	2.6999E-06	2.7243E-06	2.6999E-06	2.6553E-06	2.6326E-06	2.6557E-06	2.5635E-06	2.3012E-06	2.0740E-06
6	2.5516E-06	2.6326E-06	2.7431E-06	2.7431E-06	2.6326E-06	2.5516E-06	2.4947E-06	2.4168E-06	2.2706E-06	2.0740E-06
7	2.4006E-06	2.4947E-06	2.6557E-06	2.7416E-06	2.6557E-06	2.4947E-06	2.4006E-06	2.3161E-06	2.2103E-06	2.0650E-06
8	2.2313E-06	2.3161E-06	2.4168E-06	2.5635E-06	2.5635E-06	2.4168E-06	2.3161E-06	2.2313E-06	2.1453E-06	2.0527E-06
9	2.0670E-06	2.1453E-06	2.2103E-06	2.2706E-06	2.3012E-06	2.2706E-06	2.2103E-06	2.1453E-06	2.0670E-06	2.0002E-06
10	1.8881E-06	2.0002E-06	2.0527E-06	2.0650E-06	2.0740E-06	2.0740E-06	2.0650E-06	2.0527E-06	2.0002E-06	1.8881E-06
11	1.6395E-06	1.8175E-06	1.9255E-06	1.9153E-06	1.8702E-06	1.8627E-06	1.8702E-06	1.9153E-06	1.9255E-06	1.8175E-06
12	1.3374E-06	1.4914E-06	1.6783E-06	1.7254E-06	1.6603E-06	1.6406E-06	1.6406E-06	1.6603E-06	1.7254E-06	1.6783E-06
13	1.0403E-06	1.1765E-06	1.2991E-06	1.3833E-06	1.4053E-06	1.3993E-06	1.3968E-06	1.3993E-06	1.4053E-06	1.3833E-06
14	7.5415E-07	8.8621E-07	9.8684E-07	1.0657E-06	1.1150E-06	1.1324E-06	1.1376E-06	1.1376E-06	1.1324E-06	1.1150E-06
15	4.8211E-07	5.9261E-07	6.9930E-07	7.6474E-07	7.9724E-07	8.4460E-07	8.5712E-07	8.4252E-07	8.5712E-07	8.4460E-07
16	2.7409E-07	3.5751E-07	4.2878E-07	4.8485E-07	5.2235E-07	5.4997E-07	5.6829E-07	5.7267E-07	5.6829E-07	5.4997E-07
17	1.1651E-07	1.7259E-07	2.1656E-07	2.5180E-07	2.7822E-07	2.9701E-07	3.0984E-07	3.1661E-07	3.1838E-07	3.1661E-07
18	1.7684E-08	3.3708E-08	4.5545E-08	5.4860E-08	6.2101E-08	6.7426E-08	7.1152E-08	7.3464E-08	7.4486E-08	7.4486E-08
	11	12	13	14	15	16	17	18		
1	1.6395E-06	1.3374E-06	1.0403E-06	7.5415E-07	4.8211E-07	2.7409E-07	1.1651E-07	1.7684E-08		
2	1.8175E-06	1.4914E-06	1.1765E-06	8.8621E-07	5.9261E-07	3.5751E-07	1.7259E-07	3.3708E-08		
3	1.9255E-06	1.6783E-06	1.2991E-06	9.8684E-07	6.9930E-07	4.2878E-07	2.1656E-07	4.5545E-08		
4	1.9153E-06	1.7254E-06	1.3833E-06	1.0657E-06	7.6474E-07	4.8485E-07	2.5180E-07	5.4860E-08		
5	1.8702E-06	1.6603E-06	1.4053E-06	1.1150E-06	7.9724E-07	5.2235E-07	2.7822E-07	6.2101E-08		
6	1.8627E-06	1.6406E-06	1.3993E-06	1.1324E-06	8.4460E-07	5.4997E-07	2.9701E-07	6.7426E-08		
7	1.8702E-06	1.6406E-06	1.3968E-06	1.1376E-06	8.5712E-07	5.6829E-07	3.0984E-07	7.1152E-08		
8	1.9153E-06	1.6603E-06	1.3993E-06	1.1376E-06	8.4252E-07	5.7267E-07	3.1661E-07	7.3464E-08		
9	1.9255E-06	1.7254E-06	1.4053E-06	1.1324E-06	8.5712E-07	5.7267E-07	3.1838E-07	7.4486E-08		
10	1.8175E-06	1.6783E-06	1.3833E-06	1.1150E-06	8.4460E-07	5.6829E-07	3.1661E-07	7.4486E-08		
11	1.6395E-06	1.4914E-06	1.2991E-06	1.0657E-06	7.9724E-07	5.4997E-07	3.0984E-07	7.3464E-08		
12	1.4914E-06	1.3374E-06	1.1765E-06	9.8684E-07	7.6474E-07	5.2235E-07	2.9701E-07	7.1152E-08		
13	1.2991E-06	1.1765E-06	1.0403E-06	8.8621E-07	6.9930E-07	4.8485E-07	2.7822E-07	6.7426E-08		
14	1.0657E-06	9.8684E-07	8.8621E-07	7.5415E-07	5.9261E-07	4.2878E-07	2.5180E-07	6.2101E-08		
15	7.9724E-07	7.6474E-07	6.9930E-07	5.9261E-07	4.8211E-07	3.5751E-07	2.1656E-07	5.4860E-08		
16	5.4997E-07	5.2235E-07	4.8485E-07	4.8485E-07	3.5751E-07	2.7409E-07	1.7259E-07	4.5545E-08		
17	3.0984E-07	2.9701E-07	2.7822E-07	2.5180E-07	2.1656E-07	1.7259E-07	1.1651E-07	3.3708E-08		
18	7.3464E-08	7.1152E-08	6.7426E-08	6.2101E-08	5.4860E-08	4.5545E-08	3.3708E-08	1.7684E-08		

4 FLUX GROUP 19 PLANE HZ = 175.00000 CM

	1	2	3	4	5	6	7	8	9	10
1	4.7507E-07	4.7414E-07	4.7166E-07	4.6810E-07	4.6054E-07	4.4285E-07	4.1542E-07	3.8728E-07	3.6832E-07	3.4465E-07
2	4.7414E-07	4.7414E-07	4.7258E-07	4.7111E-07	4.7321E-07	4.6708E-07	4.3817E-07	4.0213E-07	3.8045E-07	4.0604E-07
3	4.7166E-07	4.7258E-07	4.7166E-07	4.7111E-07	4.8257E-07	5.5579E-07	5.3918E-07	4.3023E-07	3.8867E-07	4.1513E-07
4	4.6810E-07	4.7111E-07	4.7111E-07	4.6810E-07	4.7321E-07	5.5579E-07	6.3523E-07	5.2168E-07	4.0050E-07	3.6639E-07
5	4.6054E-07	4.7321E-07	4.8257E-07	4.7321E-07	4.6054E-07	4.6708E-07	5.3918E-07	5.2168E-07	4.0991E-07	3.6031E-07
6	4.4285E-07	4.6708E-07	5.5579E-07	5.5579E-07	4.6708E-07	4.4285E-07	4.3817E-07	4.3023E-07	4.0050E-07	3.6031E-07
7	4.1542E-07	4.3817E-07	5.3918E-07	6.3523E-07	5.3918E-07	4.3817E-07	4.1542E-07	4.0213E-07	3.8867E-07	3.6639E-07
8	3.8728E-07	4.0213E-07	4.3023E-07	5.2168E-07	5.2168E-07	4.3023E-07	4.0213E-07	3.8728E-07	3.8045E-07	4.1513E-07
9	3.6832E-07	3.8045E-07	3.8867E-07	4.0050E-07	4.0991E-07	4.0050E-07	3.8867E-07	3.8045E-07	3.6832E-07	4.0604E-07
10	3.4465E-07	4.0604E-07	4.1513E-07	3.6639E-07	3.6031E-07	3.6031E-07	3.6639E-07	4.1513E-07	4.0604E-07	3.4465E-07
11	2.9389E-07	3.7091E-07	4.4663E-07	3.8848E-07	3.2815E-07	3.2213E-07	3.2815E-07	3.8848E-07	4.4663E-07	3.7091E-07
12	2.3229E-07	2.6636E-07	3.4293E-07	3.5181E-07	2.9499E-07	2.8348E-07	2.8348E-07	2.9499E-07	3.5181E-07	3.4293E-07
13	1.7710E-07	2.0265E-07	2.2805E-07	2.4565E-07	2.4625E-07	2.4074E-07	2.3904E-07	2.4074E-07	2.4625E-07	2.4565E-07
14	1.1869E-07	1.4544E-07	1.6719E-07	1.7659E-07	1.8474E-07	1.9176E-07	1.8722E-07	1.8722E-07	1.9176E-07	1.8474E-07
15	7.1399E-08	8.8951E-08	1.0955E-07	1.1992E-07	1.2086E-07	1.3246E-07	1.3428E-07	1.2748E-07	1.2748E-07	1.3246E-07
16	4.0118E-08	5.2507E-08	6.3434E-08	7.2070E-08	7.7392E-08	8.1499E-08	8.4476E-08	8.4813E-08	8.4813E-08	8.4476E-08
17	1.7009E-08	2.5220E-08	3.1706E-08	3.6935E-08	4.0825E-08	4.3568E-08	4.5468E-08	4.6455E-08	4.6692E-08	4.6455E-08
18	2.5836E-09	4.9261E-09	6.6633E-09	8.0370E-09	9.1051E-09	9.8866E-09	1.0433E-08	1.0773E-08	1.0920E-08	1.0920E-08
	11	12	13	14	15	16	17	18		
1	2.9389E-07	2.3229E-07	1.7710E-07	1.1869E-07	7.1399E-08	4.0118E-08	1.7009E-08	2.5836E-09		
2	3.7091E-07	2.6636E-07	2.0265E-07	1.4544E-07	8.8951E-08	5.2507E-08	2.5220E-08	4.9261E-09		
3	4.4663E-07	3.4293E-07	2.2805E-07	1.6719E-07	1.0955E-07	6.3434E-08	3.1706E-08	6.6633E-09		
4	3.8848E-07	3.5181E-07	2.4565E-07	1.7659E-07	1.1992E-07	7.2070E-08	3.6935E-08	8.0370E-09		
5	3.2815E-07	2.9499E-07	2.4625E-07	1.8474E-07	1.2086E-07	7.7392E-08	4.0825E-08	9.1051E-09		
6	3.2213E-07	2.8348E-07	2.4074E-07	1.9176E-07	1.3246E-07	8.1499E-08	4.3568E-08	9.8866E-09		
7	3.2815E-07	2.8348E-07	2.3904E-07	1.8722E-07	1.3428E-07	8.4476E-08	4.5468E-08	1.0433E-08		
8	3.8848E-07	2.9499E-07	2.4074E-07	1.8722E-07	1.2748E-07	8.4813E-08	4.6455E-08	1.0773E-08		
9	4.4663E-07	3.5181E-07	2.4625E-07	1.9176E-07	1.3428E-07	8.4813E-08	4.6692E-08	1.0920E-08		
10	3.7091E-07	3.4293E-07	2.4565E-07	1.8474E-07	1.3246E-07	8.4476E-08	4.6455E-08	1.0920E-08		
11	2.9389E-07	2.6636E-07	2.2805E-07	1.7659E-07	1.2086E-07	8.1499E-08	4.5468E-08	1.0773E-08		
12	2.6636E-07	2.3229E-07	2.0265E-07	1.6719E-07	1.1992E-07	7.7392E-08	4.3568E-08	1.0433E-08		
13	2.2805E-07	2.0265E-07	1.7710E-07	1.4544E-07	1.0955E-07	7.2070E-08	4.0825E-08	9.8866E-09		
14	1.7659E-07	1.6719E-07	1.4544E-07	1.1869E-07	8.8951E-08	6.3434E-08	3.6935E-08	9.1051E-09		
15	1.2086E-07	1.1992E-07	1.0955E-07	8.8951E-08	7.1399E-08	5.2507E-08	3.1706E-08	8.0370E-09		
16	8.1499E-08	7.7392E-08	7.2070E-08	6.3434E-08	5.2507E-08	4.0118E-08	2.5220E-08	6.6633E-09		
17	4.5468E-08	4.3568E-08	4.0825E-08	3.6935E-08	3.1706E-08	2.5220E-08	1.7009E-08	4.9261E-09		
18	1.0773E-08	1.0433E-08	9.8866E-09	9.1051E-09	8.0370E-09	6.6633E-09	4.9261E-09	2.5836E-09		

SOURCES 1 PLANE HZ = 0.0 CM

	1	2	3	4	5	6	7	8	9	10
1	2.8669E-09	2.8370E-09	2.7482E-09	2.6064E-09	2.4334E-09	2.2568E-09	2.0766E-09	1.8673E-09	1.6189E-09	1.3751E-09
2	2.8370E-09	2.8370E-09	2.7770E-09	2.6564E-09	2.4822E-09	2.2968E-09	2.1338E-09	1.9579E-09	1.7278E-09	9.5907E-10
3	2.7482E-09	2.7770E-09	2.7482E-09	2.6564E-09	2.4872E-09	1.4808E-09	1.3721E-09	1.9839E-09	1.8106E-09	1.0200E-09
4	2.6064E-09	2.6564E-09	2.6564E-09	2.6064E-09	2.4822E-09	1.4808E-09	0.0	1.2756E-09	1.8519E-09	1.6623E-09
5	2.4334E-09	2.4822E-09	2.4872E-09	2.4822E-09	2.4334E-09	2.2968E-09	1.3721E-09	1.2756E-09	1.8576E-09	1.7196E-09
6	2.2568E-09	2.2968E-09	1.4808E-09	1.4808E-09	2.2968E-09	2.2568E-09	2.1338E-09	1.9839E-09	1.8519E-09	1.7196E-09
7	2.0766E-09	2.1338E-09	1.3721E-09	0.0	1.3721E-09	2.1338E-09	2.0766E-09	1.9579E-09	1.8106E-09	1.6623E-09
8	1.8673E-09	1.9579E-09	1.9839E-09	1.2756E-09	1.2756E-09	1.9839E-09	1.9579E-09	1.8673E-09	1.7278E-09	1.0200E-09
9	1.6189E-09	1.7278E-09	1.8106E-09	1.8519E-09	1.8576E-09	1.8519E-09	1.8106E-09	1.7278E-09	1.6189E-09	9.5907E-10
10	1.3751E-09	9.5907E-10	1.0200E-09	1.6623E-09	1.7196E-09	1.7196E-09	1.6623E-09	1.0200E-09	9.5907E-10	1.3751E-09
11	1.1763E-09	8.1313E-10	0.0	9.2602E-10	1.5211E-09	1.5566E-09	1.5211E-09	9.2602E-10	0.0	8.1313E-10
12	9.8887E-10	1.0676E-09	7.2873E-10	7.7911E-10	1.2970E-09	1.3588E-09	1.3588E-09	1.2970E-09	7.7911E-10	7.2873E-10
13	7.7586E-10	8.7376E-10	9.4128E-10	1.0013E-09	1.0742E-09	1.1336E-09	1.1538E-09	1.1336E-09	1.0742E-09	1.0013E-09
14	6.8189E-10	7.3588E-10	7.2837E-10	8.8554E-10	9.4923E-10	8.8922E-10	1.0308E-09	1.0308E-09	8.8922E-10	9.4923E-10
15	4.5449E-10	5.7114E-10	6.2932E-10	6.9266E-10	7.9708E-10	7.9604E-10	8.2525E-10	8.8979E-10	8.2525E-10	7.9604E-10
16	2.5674E-10	3.3563E-10	4.0992E-10	4.7073E-10	5.1207E-10	5.4906E-10	5.7975E-10	5.8919E-10	5.8919E-10	5.7975E-10
17	1.2166E-10	1.7215E-10	2.1724E-10	2.5632E-10	2.8721E-10	3.1129E-10	3.3037E-10	3.4203E-10	3.4547E-10	3.4203E-10
18	3.7265E-11	5.8978E-11	7.8286E-11	9.5434E-11	1.0980E-10	1.2116E-10	1.2999E-10	1.3620E-10	1.3928E-10	1.3928E-10
	11	12	13	14	15	16	17	18		
1	1.1763E-09	9.8887E-10	7.7586E-10	6.8189E-10	4.5449E-10	2.5674E-10	1.2166E-10	3.7265E-11		
2	8.1313E-10	1.0676E-09	8.7376E-10	7.3588E-10	5.7114E-10	3.3563E-10	1.7215E-10	5.8978E-11		
3	0.0	7.2873E-10	9.4128E-10	7.2837E-10	6.2932E-10	4.0992E-10	2.1724E-10	7.8286E-11		
4	9.2602E-10	7.7911E-10	1.0013E-09	8.8554E-10	6.9266E-10	4.7073E-10	2.5632E-10	9.5434E-11		
5	1.5211E-09	1.2970E-09	1.0742E-09	9.4923E-10	7.9708E-10	5.1207E-10	2.8721E-10	1.0980E-10		
6	1.5566E-09	1.3588E-09	1.1336E-09	8.8922E-10	7.9604E-10	5.4906E-10	3.1129E-10	1.2116E-10		
7	1.5211E-09	1.3588E-09	1.1538E-09	1.0308E-09	8.2525E-10	5.7975E-10	3.3037E-10	1.2999E-10		
8	9.2602E-10	1.2970E-09	1.1336E-09	1.0308E-09	8.8979E-10	5.8919E-10	3.4203E-10	1.3620E-10		
9	0.0	7.7911E-10	1.0742E-09	8.8922E-10	8.2525E-10	5.8919E-10	3.4547E-10	1.3928E-10		
10	8.1313E-10	7.2873E-10	1.0013E-09	9.4923E-10	7.9604E-10	5.7975E-10	3.4203E-10	1.3928E-10		
11	1.1763E-09	1.0676E-09	9.4128E-10	8.8554E-10	7.9708E-10	5.4906E-10	3.3037E-10	1.3620E-10		
12	1.0676E-09	9.8887E-10	8.7376E-10	7.2837E-10	6.9266E-10	5.1207E-10	3.1129E-10	1.2999E-10		
13	9.4128E-10	8.7376E-10	7.7586E-10	7.3588E-10	6.2932E-10	4.7073E-10	2.8721E-10	1.2116E-10		
14	8.8554E-10	7.2837E-10	7.3588E-10	6.8189E-10	5.7114E-10	4.0992E-10	2.5632E-10	1.0980E-10		
15	7.9708E-10	6.9266E-10	6.2932E-10	5.7114E-10	4.5449E-10	3.3563E-10	2.1724E-10	9.5434E-11		
16	5.4906E-10	5.1207E-10	4.7073E-10	4.0992E-10	3.3563E-10	2.5674E-10	1.7215E-10	7.8286E-11		
17	3.3037E-10	3.1129E-10	2.8721E-10	2.5632E-10	2.1724E-10	1.7215E-10	1.2166E-10	5.8978E-11		
18	1.3620E-10	1.2999E-10	1.2116E-10	1.0980E-10	9.5434E-11	7.8286E-11	5.8978E-11	3.7265E-11		

SOURCES 2 PLANE HZ = 10.00000 CM

	1	2	3	4	5	6	7	8	9	10
1	1.0578E-08	1.0459E-08	1.0102E-08	9.5316E-09	8.8483E-09	8.1802E-09	7.5198E-09	6.7389E-09	5.7910E-09	4.8857E-09
2	1.0459E-08	1.0459E-08	1.0217E-08	9.7276E-09	9.0209E-09	8.2959E-09	7.7043E-09	7.0710E-09	6.2005E-09	3.3969E-09
3	1.0102E-08	1.0217E-08	1.0102E-08	9.7276E-09	9.0241E-09	5.2896E-09	4.8868E-09	7.1280E-09	6.5125E-09	3.6243E-09
4	9.5316E-09	9.7276E-09	9.7276E-09	9.5316E-09	9.0209E-09	5.2896E-09	0.0	4.5337E-09	6.6605E-09	5.9767E-09
5	8.8483E-09	9.0209E-09	9.0241E-09	9.0209E-09	8.8483E-09	8.2959E-09	4.8868E-09	4.5337E-09	6.6732E-09	6.2173E-09
6	8.1802E-09	8.2959E-09	5.2896E-09	5.2896E-09	8.2959E-09	8.1802E-09	7.7043E-09	7.1280E-09	6.6605E-09	6.2173E-09
7	7.5198E-09	7.7043E-09	4.8868E-09	0.0	4.8868E-09	7.7043E-09	7.5198E-09	7.0710E-09	6.5125E-09	5.9767E-09
8	6.7389E-09	7.0710E-09	7.1280E-09	4.5337E-09	4.5337E-09	7.1280E-09	7.0710E-09	6.7389E-09	6.2005E-09	3.6243E-09
9	5.7910E-09	6.2005E-09	6.5125E-09	6.6605E-09	6.6732E-09	6.6605E-09	6.5125E-09	6.2005E-09	5.7910E-09	3.3969E-09
10	4.8857E-09	3.3969E-09	3.6243E-09	5.9767E-09	6.2173E-09	6.2173E-09	5.9767E-09	3.6243E-09	3.3969E-09	4.8857E-09
11	4.2059E-09	2.8783E-09	0.0	3.2977E-09	5.5025E-09	5.6566E-09	5.5025E-09	3.2977E-09	0.0	2.8783E-09
12	3.5907E-09	3.8403E-09	2.5925E-09	2.7781E-09	4.6939E-09	4.9598E-09	4.9598E-09	4.6939E-09	2.7781E-09	2.5925E-09
13	2.8762E-09	3.2037E-09	3.4267E-09	3.6393E-09	3.9209E-09	4.1673E-09	4.2570E-09	4.1673E-09	3.9209E-09	3.6393E-09
14	2.6758E-09	2.8023E-09	2.7155E-09	3.3393E-09	3.5815E-09	3.3188E-09	3.9145E-09	3.9145E-09	3.3188E-09	3.5815E-09
15	1.8709E-09	2.3195E-09	2.4800E-09	2.7225E-09	3.1940E-09	3.1283E-09	3.2493E-09	3.5786E-09	3.2493E-09	3.1283E-09
16	1.0679E-09	1.3917E-09	1.6858E-09	1.9246E-09	2.0961E-09	2.2466E-09	2.3680E-09	2.4145E-09	2.4145E-09	2.3680E-09
17	4.9871E-10	7.1019E-10	8.9447E-10	1.0519E-09	1.1767E-09	1.2747E-09	1.3524E-09	1.4007E-09	1.4007E-09	1.4156E-09
18	1.4105E-10	2.2712E-10	3.0218E-10	3.6807E-10	4.2299E-10	4.6648E-10	5.0040E-10	5.2438E-10	5.3641E-10	5.3641E-10
	11	12	13	14	15	16	17	18		
1	4.2059E-09	3.5907E-09	2.8762E-09	2.6758E-09	1.8709E-09	1.0679E-09	4.9871E-10	1.4105E-10		
2	2.8783E-09	3.8403E-09	3.2037E-09	2.8023E-09	2.3195E-09	1.3917E-09	7.1019E-10	2.2712E-10		
3	0.0	2.5925E-09	3.4267E-09	2.7155E-09	2.4800E-09	1.6858E-09	8.9447E-10	3.0218E-10		
4	3.2977E-09	2.7781E-09	3.6393E-09	3.3393E-09	2.7225E-09	1.9246E-09	1.0519E-09	3.6807E-10		
5	5.5025E-09	4.6939E-09	3.9209E-09	3.5815E-09	3.1940E-09	2.0961E-09	1.1767E-09	4.2299E-10		
6	5.6566E-09	4.9598E-09	4.1673E-09	3.3188E-09	3.1283E-09	2.2466E-09	1.2747E-09	4.6648E-10		
7	5.5025E-09	4.9598E-09	4.2570E-09	3.9145E-09	3.2493E-09	2.3680E-09	1.3524E-09	5.0040E-10		
8	3.2977E-09	4.6939E-09	4.1673E-09	3.9145E-09	3.5786E-09	2.4145E-09	1.4007E-09	5.2438E-10		
9	0.0	2.7781E-09	3.9209E-09	3.3188E-09	3.2493E-09	2.4145E-09	1.4156E-09	5.3641E-10		
10	2.8783E-09	2.5925E-09	3.6393E-09	3.5815E-09	3.1283E-09	2.3680E-09	1.4007E-09	5.3641E-10		
11	4.2059E-09	3.8403E-09	3.4267E-09	3.3393E-09	3.1940E-09	2.2466E-09	1.3524E-09	5.2438E-10		
12	3.8403E-09	3.5907E-09	3.2037E-09	2.7155E-09	2.7225E-09	2.0961E-09	1.2747E-09	5.0040E-10		
13	3.4267E-09	3.2037E-09	2.8762E-09	2.8023E-09	2.4800E-09	1.9246E-09	1.1767E-09	4.6648E-10		
14	3.3393E-09	2.7155E-09	2.8023E-09	2.6758E-09	2.3195E-09	1.6858E-09	1.0519E-09	4.2299E-10		
15	3.1940E-09	2.7225E-09	2.4800E-09	2.3195E-09	1.8709E-09	1.3917E-09	8.9447E-10	3.6807E-10		
16	2.2466E-09	2.0961E-09	1.9246E-09	1.6858E-09	1.3917E-09	1.0679E-09	7.1019E-10	3.0218E-10		
17	1.3524E-09	1.2747E-09	1.1767E-09	1.0519E-09	8.9447E-10	7.1019E-10	4.9871E-10	2.2712E-10		
18	5.2438E-10	5.0040E-10	4.6648E-10	4.2299E-10	3.6807E-10	3.0218E-10	2.2712E-10	1.4105E-10		

SOURCES 3 PLANE HZ = 20.0000 CM

	1	2	3	4	5	6	7	8	9	10
1	2.5465E-08	2.5195E-08	2.4390E-08	2.3106E-08	2.1546E-08	1.9967E-08	1.8353E-08	1.6457E-08	1.4215E-08	1.2085E-08
2	2.5195E-08	2.5195E-08	2.4651E-08	2.3556E-08	2.1976E-08	2.0312E-08	1.8864E-08	1.7284E-08	1.5196E-08	8.4237E-09
3	2.4390E-08	2.4651E-08	2.4390E-08	2.3556E-08	2.2012E-08	1.3098E-08	1.2137E-08	1.7535E-08	1.5982E-08	8.9824E-09
4	2.3106E-08	2.3556E-08	2.3556E-08	2.3106E-08	2.1976E-08	1.3098E-08	0.0	1.1300E-08	1.6411E-08	1.4731E-08
5	2.1546E-08	2.1976E-08	2.2012E-08	2.1976E-08	2.1546E-08	2.0312E-08	1.2137E-08	1.1300E-08	1.6489E-08	1.5332E-08
6	1.9967E-08	2.0312E-08	1.3098E-08	1.3098E-08	2.0312E-08	1.9967E-08	1.8864E-08	1.7535E-08	1.6411E-08	1.5332E-08
7	1.8353E-08	1.8864E-08	1.2137E-08	0.0	1.2137E-08	1.8864E-08	1.8353E-08	1.7284E-08	1.5982E-08	1.4731E-08
8	1.6457E-08	1.7284E-08	1.7535E-08	1.1300E-08	1.1300E-08	1.7535E-08	1.7284E-08	1.6457E-08	1.5196E-08	8.9824E-09
9	1.4215E-08	1.5196E-08	1.5982E-08	1.6411E-08	1.6489E-08	1.6411E-08	1.5982E-08	1.5196E-08	1.4215E-08	8.4237E-09
10	1.2085E-08	8.4237E-09	8.9824E-09	1.4731E-08	1.5332E-08	1.5332E-08	1.4731E-08	8.9824E-09	8.4237E-09	1.2085E-08
11	1.0433E-08	7.1784E-09	0.0	8.2163E-09	1.3609E-08	1.3986E-08	1.3609E-08	8.2163E-09	0.0	7.1784E-09
12	8.8825E-09	9.5250E-09	6.4772E-09	6.9415E-09	1.1640E-08	1.2283E-08	1.2283E-08	1.1640E-08	6.9415E-09	6.4772E-09
13	7.0536E-09	7.8924E-09	8.4621E-09	8.9981E-09	9.6910E-09	1.0294E-08	1.0294E-08	9.6910E-09	8.9981E-09	8.4621E-09
14	6.4426E-09	6.8106E-09	6.6277E-09	8.1570E-09	8.7558E-09	8.1227E-09	9.5786E-09	9.5786E-09	8.1227E-09	8.7558E-09
15	4.3850E-09	5.5028E-09	5.9392E-09	6.5361E-09	7.6627E-09	7.5278E-09	7.8238E-09	8.6016E-09	7.8238E-09	7.5278E-09
16	2.4440E-09	3.2195E-09	3.9391E-09	4.5223E-09	4.9317E-09	5.2925E-09	5.5872E-09	5.6952E-09	5.5872E-09	5.2925E-09
17	1.1271E-09	1.6152E-09	2.0530E-09	2.4316E-09	2.7292E-09	2.9610E-09	3.1456E-09	3.2598E-09	3.2944E-09	3.2598E-09
18	3.2400E-10	5.2159E-10	6.9998E-10	8.5990E-10	9.9359E-10	1.0985E-09	1.1802E-09	1.2380E-09	1.2668E-09	1.2668E-09
	11	12	13	14	15	16	17	18		
1	1.0433E-08	8.8825E-09	7.0536E-09	6.4426E-09	4.3850E-09	2.4440E-09	1.1271E-09	3.2400E-10		
2	7.1784E-09	9.5250E-09	7.8924E-09	6.8106E-09	5.5028E-09	3.2195E-09	1.6152E-09	5.2159E-10		
3	0.0	6.4772E-09	8.4621E-09	6.6277E-09	5.9392E-09	3.9391E-09	2.0530E-09	6.9998E-10		
4	8.2163E-09	6.9415E-09	8.9981E-09	8.1570E-09	6.5361E-09	4.5223E-09	2.4316E-09	8.5990E-10		
5	1.3609E-08	1.1640E-08	9.6910E-09	8.7558E-09	7.6627E-09	4.9317E-09	2.7292E-09	9.9359E-10		
6	1.3986E-08	1.2283E-08	1.0294E-08	8.1227E-09	7.5278E-09	5.2925E-09	2.9610E-09	1.0985E-09		
7	1.3609E-08	1.2283E-08	1.0514E-08	9.5786E-09	7.8238E-09	5.5872E-09	3.1456E-09	1.1802E-09		
8	8.2163E-09	1.1640E-08	1.0294E-08	9.5786E-09	8.6016E-09	5.6952E-09	3.2598E-09	1.2380E-09		
9	0.0	6.9415E-09	9.6910E-09	8.1227E-09	7.8238E-09	5.6952E-09	3.2944E-09	1.2668E-09		
10	7.1784E-09	6.4772E-09	8.9981E-09	8.7558E-09	7.5278E-09	5.5872E-09	3.2598E-09	1.2668E-09		
11	1.0433E-08	9.5250E-09	8.4621E-09	8.1570E-09	7.6627E-09	5.2925E-09	3.1456E-09	1.2380E-09		
12	9.5250E-09	8.8825E-09	7.8924E-09	6.6277E-09	6.5361E-09	4.9317E-09	2.9610E-09	1.1802E-09		
13	8.4621E-09	7.8924E-09	7.0536E-09	6.8106E-09	5.9392E-09	4.5223E-09	2.7292E-09	1.0985E-09		
14	8.1570E-09	6.6277E-09	6.8106E-09	6.4426E-09	5.5028E-09	3.9391E-09	2.4316E-09	9.9359E-10		
15	7.6627E-09	6.5361E-09	5.9392E-09	5.5028E-09	4.3850E-09	3.2195E-09	2.0530E-09	8.5990E-10		
16	5.2925E-09	4.9317E-09	4.5223E-09	3.9391E-09	3.2195E-09	2.4440E-09	1.6152E-09	6.9998E-10		
17	3.1456E-09	2.9610E-09	2.7292E-09	2.4316E-09	2.0530E-09	1.6152E-09	1.1271E-09	5.2159E-10		
18	1.2380E-09	1.1802E-09	1.0985E-09	9.9359E-10	8.5990E-10	6.9998E-10	5.2159E-10	3.2400E-10		

SOURCES 4 PLANE HZ = 30.00000 CM

	1	2	3	4	5	6	7	8	9	10
1	5.8603E-08	5.8024E-08	5.6308E-08	5.3576E-08	5.0210E-08	4.6650E-08	4.2849E-08	3.8412E-08	3.3375E-08	2.8702E-08
2	5.8024E-08	5.8024E-08	5.6866E-08	5.4556E-08	5.1252E-08	4.7658E-08	4.4247E-08	4.0411E-08	3.5572E-08	1.9965E-08
3	5.6308E-08	5.6866E-08	5.6308E-08	5.4556E-08	5.1425E-08	3.1199E-08	2.9042E-08	4.1375E-08	3.7510E-08	2.1251E-08
4	5.3576E-08	5.4556E-08	5.4556E-08	5.3576E-08	5.1252E-08	3.1199E-08	0.0	2.7182E-08	3.8808E-08	3.4796E-08
5	5.0210E-08	5.1252E-08	5.1425E-08	5.1252E-08	5.0210E-08	4.7658E-08	2.9042E-08	2.7182E-08	3.9180E-08	3.6397E-08
6	4.6650E-08	4.7658E-08	3.1199E-08	3.1199E-08	4.7658E-08	4.6650E-08	4.4247E-08	4.1375E-08	3.8808E-08	3.6397E-08
7	4.2849E-08	4.4247E-08	2.9042E-08	0.0	2.9042E-08	4.4247E-08	4.2849E-08	4.0411E-08	3.7510E-08	3.4796E-08
8	3.8412E-08	4.0411E-08	4.1375E-08	2.7182E-08	2.7182E-08	4.1375E-08	4.0411E-08	3.8412E-08	3.5572E-08	2.1251E-08
9	3.3375E-08	3.5572E-08	3.7510E-08	3.8808E-08	3.9180E-08	3.8808E-08	3.7510E-08	3.5572E-08	3.3375E-08	1.9965E-08
10	2.8702E-08	1.9965E-08	2.1251E-08	3.4796E-08	3.6397E-08	3.6397E-08	3.4796E-08	2.1251E-08	1.9965E-08	2.8702E-08
11	2.4999E-08	1.7192E-08	0.0	1.9634E-08	3.2486E-08	3.3479E-08	3.2486E-08	1.9634E-08	0.0	1.7192E-08
12	2.1330E-08	2.2859E-08	1.5568E-08	1.6687E-08	2.7928E-08	2.9536E-08	2.9536E-08	2.7928E-08	1.6687E-08	1.5568E-08
13	1.6740E-08	1.8855E-08	2.0213E-08	2.1473E-08	2.3173E-08	2.4667E-08	2.5209E-08	2.4667E-08	2.3173E-08	2.1473E-08
14	1.4689E-08	1.5866E-08	1.5573E-08	1.9100E-08	2.0524E-08	1.9144E-08	2.2522E-08	2.2522E-08	1.9144E-08	2.0524E-08
15	9.4104E-09	1.2122E-08	1.3392E-08	1.4777E-08	1.7195E-08	1.7067E-08	1.7755E-08	1.9361E-08	1.7755E-08	1.7067E-08
16	4.9999E-09	6.7250E-09	8.3978E-09	9.7432E-09	1.0619E-08	1.1415E-08	1.2097E-08	1.2302E-08	1.2302E-08	1.2097E-08
17	2.2493E-09	3.2613E-09	4.2140E-09	5.0536E-09	5.6989E-09	6.1907E-09	6.5905E-09	6.8343E-09	6.9023E-09	6.8343E-09
18	6.6109E-10	1.0651E-09	1.4501E-09	1.8065E-09	2.1044E-09	2.3335E-09	2.5111E-09	2.6378E-09	2.6993E-09	2.6993E-09
	11	12	13	14	15	16	17	18		
1	2.4999E-08	2.1330E-08	1.6740E-08	1.4689E-08	9.4104E-09	4.9999E-09	2.2493E-09	6.6109E-10		
2	1.7192E-08	2.2859E-08	1.8855E-08	1.5866E-08	1.2122E-08	6.7250E-09	3.2613E-09	1.0651E-09		
3	0.0	1.5568E-08	2.0213E-08	1.5573E-08	1.3392E-08	8.3978E-09	4.2140E-09	1.4501E-09		
4	1.9634E-08	1.6687E-08	2.1473E-08	1.9100E-08	1.4777E-08	9.7432E-09	5.0536E-09	1.8065E-09		
5	3.2486E-08	2.7928E-08	2.3173E-08	2.0524E-08	1.7195E-08	1.0619E-08	5.6989E-09	2.1044E-09		
6	3.3479E-08	2.9536E-08	2.4667E-08	1.9144E-08	1.7067E-08	1.1415E-08	6.1907E-09	2.3335E-09		
7	3.2486E-08	2.9536E-08	2.5209E-08	2.2522E-08	1.7755E-08	1.2097E-08	6.5905E-09	2.5111E-09		
8	1.9634E-08	2.7928E-08	2.4667E-08	2.2522E-08	1.9361E-08	1.2302E-08	6.8343E-09	2.6378E-09		
9	0.0	1.6687E-08	2.3173E-08	1.9144E-08	1.7755E-08	1.2302E-08	6.9023E-09	2.6993E-09		
10	1.7192E-08	1.5568E-08	2.1473E-08	2.0524E-08	1.7067E-08	1.2097E-08	6.8343E-09	2.6993E-09		
11	2.4999E-08	2.2859E-08	2.0213E-08	1.9100E-08	1.7195E-08	1.1415E-08	6.5905E-09	2.6378E-09		
12	2.2859E-08	2.1330E-08	1.8855E-08	1.5573E-08	1.4777E-08	1.0619E-08	6.1907E-09	2.5111E-09		
13	2.0213E-08	1.8855E-08	1.6740E-08	1.5866E-08	1.3392E-08	9.7432E-09	5.6989E-09	2.3335E-09		
14	1.9100E-08	1.5573E-08	1.5866E-08	1.4689E-08	1.2122E-08	8.3978E-09	5.0536E-09	2.1044E-09		
15	1.7195E-08	1.4777E-08	1.3392E-08	1.2122E-08	9.4104E-09	6.7250E-09	4.2140E-09	1.8065E-09		
16	1.1415E-08	1.0619E-08	9.7432E-09	8.3978E-09	6.7250E-09	4.9999E-09	3.2613E-09	1.4501E-09		
17	6.5905E-09	6.1907E-09	5.6989E-09	5.0536E-09	4.2140E-09	3.2613E-09	2.2493E-09	1.0651E-09		
18	2.6378E-09	2.5111E-09	2.3335E-09	2.1044E-09	1.8065E-09	1.4501E-09	1.0651E-09	6.6109E-10		

SOURCES 5 PLANE HZ = 40.00000 CM

	1	2	3	4	5	6	7	8	9	10
1	7.1396E-07	7.0711E-07	6.8672E-07	6.5402E-07	6.1321E-07	5.6872E-07	5.1855E-07	4.5686E-07	4.2953E-07	4.3272E-07
2	7.0711E-07	7.0711E-07	6.9336E-07	6.6577E-07	6.2586E-07	5.8205E-07	5.3834E-07	4.8543E-07	4.1498E-07	2.5643E-07
3	6.8672E-07	6.9336E-07	6.8672E-07	6.6577E-07	6.2782E-07	3.8038E-07	3.5581E-07	5.0152E-07	4.4419E-07	2.3529E-07
4	6.5402E-07	6.6577E-07	6.6577E-07	6.5402E-07	6.2586E-07	3.8038E-07	0.0	3.3392E-07	4.6585E-07	4.0550E-07
5	6.1321E-07	6.2586E-07	6.2782E-07	6.2586E-07	6.1321E-07	5.8205E-07	3.5581E-07	3.3392E-07	4.7262E-07	4.8193E-07
6	5.6872E-07	5.8205E-07	3.8038E-07	3.8038E-07	5.8205E-07	5.6872E-07	5.3834E-07	5.0152E-07	4.6585E-07	4.8193E-07
7	5.1855E-07	5.3834E-07	3.5581E-07	0.0	3.5581E-07	5.3834E-07	5.1855E-07	4.8543E-07	4.4419E-07	4.0550E-07
8	4.5686E-07	4.8543E-07	5.0152E-07	3.3392E-07	3.3392E-07	5.0152E-07	4.8543E-07	4.5686E-07	4.1498E-07	2.3529E-07
9	4.2953E-07	4.1498E-07	4.4419E-07	4.6585E-07	4.7262E-07	4.6585E-07	4.4419E-07	4.1498E-07	4.2953E-07	2.5643E-07
10	4.3272E-07	2.5643E-07	2.3529E-07	4.0550E-07	4.8193E-07	4.8193E-07	4.0550E-07	2.3529E-07	2.5643E-07	4.3272E-07
11	3.7871E-07	2.4925E-07	0.0	2.5334E-07	4.6551E-07	5.3014E-07	4.6551E-07	2.5334E-07	0.0	2.4925E-07
12	3.3485E-07	3.5045E-07	2.2726E-07	2.4532E-07	4.3359E-07	4.6626E-07	4.6626E-07	4.3359E-07	2.4532E-07	2.2726E-07
13	2.7790E-07	3.0425E-07	3.2028E-07	3.3812E-07	3.6788E-07	3.9612E-07	4.0669E-07	3.9612E-07	3.6788E-07	3.3812E-07
14	9.5471E-08	1.7791E-07	2.6399E-07	2.0847E-07	2.2380E-07	3.2208E-07	2.4678E-07	2.4678E-07	3.2208E-07	2.2380E-07
15	1.9478E-08	2.6249E-08	8.7991E-08	9.6170E-08	3.8116E-08	1.1060E-07	1.1507E-07	4.3062E-08	1.1507E-07	1.1060E-07
16	9.6122E-09	1.3326E-08	1.7216E-08	2.0313E-08	2.1969E-08	2.3658E-08	2.5522E-08	2.5522E-08	2.5522E-08	2.5300E-08
17	4.1678E-09	6.1427E-09	8.1151E-09	9.8946E-09	1.1205E-08	1.2167E-08	1.2991E-08	1.3476E-08	1.3585E-08	1.3476E-08
18	1.2431E-09	2.0102E-09	2.7866E-09	3.5315E-09	4.1509E-09	4.6115E-09	4.9687E-09	5.2264E-09	5.3455E-09	5.3455E-09
	11	12	13	14	15	16	17	18		
1	3.7871E-07	3.3485E-07	2.7790E-07	9.5471E-08	1.9478E-08	9.6122E-09	4.1678E-09	1.2431E-09		
2	2.4925E-07	3.5045E-07	3.0425E-07	1.7791E-07	2.6249E-08	1.3326E-08	6.1427E-09	2.0102E-09		
3	0.0	2.2726E-07	3.2028E-07	2.6399E-07	8.7991E-08	1.7216E-08	8.1151E-09	2.7866E-09		
4	2.5334E-07	2.4532E-07	3.3812E-07	2.0847E-07	9.6170E-08	2.0313E-08	9.8946E-09	3.5315E-09		
5	4.6551E-07	4.3359E-07	3.6788E-07	2.2380E-07	3.8116E-08	2.1969E-08	1.1205E-08	4.1509E-09		
6	5.3014E-07	4.6626E-07	3.9612E-07	3.2208E-07	1.1060E-07	2.3658E-08	1.2167E-08	4.6115E-09		
7	4.6551E-07	4.6626E-07	4.0669E-07	2.4678E-07	1.1507E-07	2.5300E-08	1.2991E-08	4.9687E-09		
8	2.5334E-07	4.3359E-07	3.9612E-07	2.4678E-07	4.3062E-08	2.5522E-08	1.3476E-08	5.2264E-09		
9	0.0	2.4532E-07	3.6788E-07	3.2208E-07	1.1507E-07	2.5522E-08	1.3585E-08	5.3455E-09		
10	2.4925E-07	2.2726E-07	3.3812E-07	2.2380E-07	1.1060E-07	2.5300E-08	1.3476E-08	5.3455E-09		
11	3.7871E-07	3.5045E-07	3.2028E-07	2.0847E-07	3.8116E-08	2.3658E-08	1.2991E-08	5.2264E-09		
12	3.5045E-07	3.3485E-07	3.0425E-07	2.6399E-07	9.6170E-08	2.1969E-08	1.2167E-08	4.9687E-09		
13	3.2028E-07	3.0425E-07	2.7790E-07	1.7791E-07	8.7991E-08	2.0313E-08	1.1205E-08	4.6115E-09		
14	2.0847E-07	2.6399E-07	1.7791E-07	9.5471E-08	2.6249E-08	1.7216E-08	9.8946E-09	4.1509E-09		
15	3.8116E-08	9.6170E-08	8.7991E-08	2.6249E-08	1.9478E-08	1.3326E-08	8.1151E-09	3.5315E-09		
16	2.3658E-08	2.1969E-08	2.0313E-08	1.7216E-08	1.3326E-08	9.6122E-09	6.1427E-09	2.7866E-09		
17	1.2991E-08	1.2167E-08	1.1205E-08	9.8946E-09	8.1151E-09	6.1427E-09	4.1678E-09	2.0102E-09		
18	5.2264E-09	4.9687E-09	4.6115E-09	4.1509E-09	3.5315E-09	2.7866E-09	2.0102E-09	1.2431E-09		

SOURCES 6 PLANE HZ = 49.50000 CM

	1	2	3	4	5	6	7	8	9	10
1	1.7893E-06	1.7736E-06	1.7273E-06	1.6536E-06	1.5601E-06	1.4523E-06	1.3247E-06	1.1688E-06	1.1177E-06	1.1533E-06
2	1.7736E-06	1.7736E-06	1.7425E-06	1.6811E-06	1.5943E-06	1.4949E-06	1.3829E-06	1.2432E-06	1.0666E-06	6.7968E-07
3	1.7273E-06	1.7425E-06	1.7273E-06	1.6811E-06	1.6031E-06	9.9890E-07	9.4313E-07	1.2987E-06	1.1426E-06	6.1319E-07
4	1.6536E-06	1.6811E-06	1.6811E-06	1.6536E-06	1.5943E-06	9.9890E-07	0.0	8.9290E-07	1.2053E-06	1.0452E-06
5	1.5601E-06	1.5943E-06	1.6031E-06	1.5943E-06	1.5601E-06	1.4949E-06	9.4313E-07	8.9290E-07	1.2285E-06	1.2527E-06
6	1.4523E-06	1.4949E-06	9.9890E-07	9.9890E-07	1.4949E-06	1.4523E-06	1.3829E-06	1.2987E-06	1.2053E-06	1.2527E-06
7	1.3247E-06	1.3829E-06	9.4313E-07	0.0	9.4313E-07	1.3829E-06	1.3247E-06	1.2432E-06	1.1426E-06	1.0452E-06
8	1.1688E-06	1.2432E-06	1.2987E-06	8.9290E-07	8.9290E-07	1.2987E-06	1.2432E-06	1.1688E-06	1.0666E-06	6.1319E-07
9	1.1177E-06	1.0666E-06	1.1426E-06	1.2053E-06	1.2285E-06	1.2053E-06	1.1426E-06	1.0666E-06	1.1177E-06	6.7968E-07
10	1.1533E-06	6.7968E-07	6.1319E-07	1.0452E-06	1.2527E-06	1.2527E-06	1.0452E-06	6.1319E-07	6.7968E-07	1.1533E-06
11	1.0096E-06	6.7097E-07	0.0	6.7166E-07	1.2208E-06	1.3965E-06	1.2208E-06	6.7166E-07	0.0	6.7097E-07
12	8.8891E-07	9.3364E-07	6.1190E-07	6.5967E-07	1.1492E-06	1.2296E-06	1.2296E-06	1.1492E-06	6.5967E-07	6.1190E-07
13	7.3714E-07	8.0709E-07	8.5170E-07	9.0036E-07	9.7588E-07	1.0465E-06	1.0733E-06	1.0465E-06	9.7588E-07	9.0036E-07
14	2.3079E-07	4.5920E-07	7.0084E-07	5.3747E-07	5.7665E-07	8.5306E-07	6.3384E-07	6.3384E-07	5.7665E-07	5.3747E-07
15	3.0877E-08	4.2645E-08	2.1315E-07	2.3254E-07	6.2572E-08	2.6707E-07	2.7757E-07	7.0709E-08	2.7757E-07	2.6707E-07
16	1.4605E-08	2.0605E-08	2.7155E-08	3.2341E-08	3.4780E-08	3.7473E-08	4.0283E-08	4.0414E-08	4.0414E-08	4.0283E-08
17	6.1941E-09	9.2192E-09	1.2339E-08	1.5188E-08	1.7231E-08	1.8694E-08	1.9989E-08	2.0732E-08	2.0732E-08	2.0732E-08
18	1.8610E-09	3.0166E-09	4.2254E-09	5.4066E-09	6.3848E-09	7.0970E-09	7.6487E-09	8.0488E-09	8.2275E-09	8.2275E-09
	11	12	13	14	15	16	17	18		
1	1.0096E-06	8.8891E-07	7.3714E-07	2.3079E-07	3.0877E-08	1.4605E-08	6.1941E-09	1.8610E-09		
2	6.7097E-07	9.3364E-07	8.0709E-07	4.5920E-07	4.2645E-08	2.0605E-08	9.2192E-09	3.0166E-09		
3	0.0	6.1190E-07	8.5170E-07	7.0084E-07	2.1315E-07	2.7155E-08	1.2339E-08	4.2254E-09		
4	6.7166E-07	6.5967E-07	9.0036E-07	5.3747E-07	2.3254E-07	3.2341E-08	1.5188E-08	5.4066E-09		
5	1.2208E-06	1.1492E-06	9.7588E-07	5.7665E-07	6.2572E-08	3.4780E-08	1.7231E-08	6.3848E-09		
6	1.3965E-06	1.2296E-06	1.0465E-06	8.5306E-07	2.6707E-07	3.7473E-08	1.8694E-08	7.0970E-09		
7	1.2208E-06	1.2296E-06	1.0733E-06	6.3384E-07	2.7757E-07	4.0283E-08	1.9989E-08	7.6487E-09		
8	6.7166E-07	1.1492E-06	1.0465E-06	6.3384E-07	7.0709E-08	4.0414E-08	2.0732E-08	8.0488E-09		
9	0.0	6.5967E-07	9.7588E-07	8.5306E-07	2.7757E-07	4.0414E-08	2.0872E-08	8.2275E-09		
10	6.7097E-07	6.1190E-07	9.0036E-07	5.7665E-07	2.6707E-07	4.0283E-08	2.0732E-08	8.2275E-09		
11	1.0096E-06	9.3364E-07	8.5170E-07	5.3747E-07	6.2572E-08	3.7473E-08	1.9989E-08	8.0488E-09		
12	9.3364E-07	8.8891E-07	8.0709E-07	7.0084E-07	2.3254E-07	3.4780E-08	1.8694E-08	7.6487E-09		
13	8.5170E-07	8.0709E-07	7.3714E-07	4.5920E-07	2.1315E-07	3.2341E-08	1.7231E-08	7.0970E-09		
14	5.3747E-07	7.0084E-07	4.5920E-07	2.3079E-07	4.2645E-08	2.7155E-08	1.5188E-08	6.3848E-09		
15	6.2572E-08	2.3254E-07	2.1315E-07	4.2645E-08	3.0877E-08	2.0605E-08	1.2339E-08	5.4066E-09		
16	3.7473E-08	3.4780E-08	3.2341E-08	2.7155E-08	2.0605E-08	1.4605E-08	9.2192E-09	4.2254E-09		
17	1.9989E-08	1.8694E-08	1.7231E-08	1.5188E-08	1.2339E-08	9.2192E-09	6.1941E-09	3.0166E-09		
18	8.0488E-09	7.6487E-09	7.0970E-09	6.3848E-09	5.4066E-09	4.2254E-09	3.0166E-09	1.8610E-09		

SOURCES 7 PLANE HZ = 59.00000 CM

	1	2	3	4	5	6	7	8	9	10
1	2.2664E-06	2.2473E-06	2.1911E-06	2.1017E-06	1.9881E-06	1.8556E-06	1.6971E-06	1.5030E-06	1.4452E-06	1.4998E-06
2	2.2473E-06	2.2473E-06	2.2095E-06	2.1353E-06	2.0304E-06	1.9095E-06	1.7707E-06	1.5962E-06	1.3761E-06	8.8353E-07
3	2.1911E-06	2.2095E-06	2.1911E-06	2.1353E-06	2.0418E-06	1.2779E-06	1.2099E-06	1.6677E-06	1.4716E-06	7.9562E-07
4	2.1017E-06	2.1353E-06	2.1353E-06	2.1017E-06	2.0304E-06	1.2779E-06	0.0	1.1485E-06	1.5516E-06	1.3504E-06
5	1.9881E-06	2.0304E-06	2.0418E-06	2.0304E-06	1.9881E-06	1.9095E-06	1.2099E-06	1.1485E-06	1.5817E-06	1.6155E-06
6	1.8556E-06	1.9095E-06	1.2779E-06	1.2779E-06	1.9095E-06	1.8556E-06	1.7707E-06	1.6677E-06	1.5516E-06	1.6155E-06
7	1.6971E-06	1.7707E-06	1.2099E-06	0.0	1.2099E-06	1.7707E-06	1.6971E-06	1.5962E-06	1.4716E-06	1.3504E-06
8	1.5030E-06	1.5962E-06	1.6677E-06	1.1485E-06	1.1485E-06	1.6677E-06	1.5962E-06	1.5030E-06	1.3761E-06	7.9562E-07
9	1.4452E-06	1.3761E-06	1.4716E-06	1.5516E-06	1.5817E-06	1.5516E-06	1.4716E-06	1.3761E-06	1.4452E-06	8.8353E-07
10	1.4998E-06	8.8353E-07	7.9562E-07	1.3504E-06	1.6155E-06	1.6155E-06	1.3504E-06	7.9562E-07	8.8353E-07	1.4998E-06
11	1.3170E-06	8.7622E-07	0.0	8.7328E-07	1.5794E-06	1.8043E-06	1.5794E-06	8.7328E-07	0.0	8.7622E-07
12	1.1594E-06	1.2185E-06	7.9995E-07	8.6057E-07	1.4916E-06	1.5925E-06	1.5925E-06	1.4916E-06	8.6057E-07	7.9995E-07
13	9.6012E-07	1.0520E-06	1.1104E-06	1.1730E-06	1.2685E-06	1.3575E-06	1.3913E-06	1.3575E-06	1.2685E-06	1.1730E-06
14	3.0220E-07	5.9885E-07	9.1202E-07	7.0089E-07	7.5106E-07	1.1067E-06	8.2359E-07	8.2359E-07	1.1067E-06	7.5106E-07
15	4.1648E-08	5.7654E-08	2.7878E-07	3.0411E-07	8.4587E-08	3.4868E-07	3.6208E-07	9.5394E-08	3.6208E-07	3.4868E-07
16	1.9575E-08	2.7701E-08	3.6590E-08	4.3611E-08	4.6874E-08	5.0466E-08	5.4218E-08	5.4362E-08	5.4362E-08	5.4218E-08
17	8.2658E-09	1.2329E-08	1.6544E-08	2.0397E-08	2.3144E-08	2.5095E-08	2.6820E-08	2.7802E-08	2.7981E-08	2.7802E-08
18	2.4933E-09	4.0420E-09	5.6745E-09	7.2747E-09	8.5974E-09	9.5543E-09	1.0292E-08	1.0824E-08	1.1060E-08	1.1060E-08
	11	12	13	14	15	16	17	18		
1	1.3170E-06	1.1594E-06	9.6012E-07	3.0220E-07	4.1648E-08	1.9575E-08	8.2658E-09	2.4933E-09		
2	8.7622E-07	1.2185E-06	1.0520E-06	5.9885E-07	5.7654E-08	2.7701E-08	1.2329E-08	4.0420E-09		
3	0.0	7.9995E-07	1.1104E-06	9.1202E-07	2.7878E-07	3.6590E-08	1.6544E-08	5.6745E-09		
4	8.7328E-07	8.6057E-07	1.1730E-06	7.0089E-07	3.0411E-07	4.3611E-08	2.0397E-08	7.2747E-09		
5	1.5794E-06	1.4916E-06	1.2685E-06	7.5106E-07	8.4587E-08	4.6874E-08	2.3144E-08	8.5974E-09		
6	1.8043E-06	1.5925E-06	1.3575E-06	1.1067E-06	3.4868E-07	5.0466E-08	2.5095E-08	9.5543E-09		
7	1.5794E-06	1.5925E-06	1.3913E-06	8.2359E-07	3.6208E-07	5.4218E-08	2.6820E-08	1.0292E-08		
8	8.7328E-07	1.4916E-06	1.3575E-06	8.2359E-07	9.5394E-08	5.4362E-08	2.7802E-08	1.0824E-08		
9	0.0	8.6057E-07	1.2685E-06	1.1067E-06	3.6208E-07	5.4362E-08	2.7981E-08	1.1060E-08		
10	8.7622E-07	7.9995E-07	1.1730E-06	7.5106E-07	3.4868E-07	5.4218E-08	2.7802E-08	1.1060E-08		
11	1.3170E-06	1.2185E-06	1.1104E-06	7.0089E-07	8.4587E-08	5.0466E-08	2.6820E-08	1.0824E-08		
12	1.2185E-06	1.1594E-06	1.0520E-06	9.1202E-07	3.0411E-07	4.6874E-08	2.5095E-08	1.0292E-08		
13	1.1104E-06	1.0520E-06	9.6012E-07	5.9885E-07	2.7878E-07	4.3611E-08	2.3144E-08	9.5543E-09		
14	7.0089E-07	9.1202E-07	5.9885E-07	3.0220E-07	5.7654E-08	3.6590E-08	2.0397E-08	8.5974E-09		
15	8.4587E-08	3.0411E-07	2.7878E-07	5.7654E-08	4.1648E-08	2.7701E-08	1.6544E-08	7.2747E-09		
16	5.0466E-08	4.6874E-08	4.3611E-08	3.6590E-08	2.7701E-08	1.9575E-08	1.2329E-08	5.6745E-09		
17	2.6820E-08	2.5095E-08	2.3144E-08	2.0397E-08	1.6544E-08	1.2329E-08	8.2658E-09	4.0420E-09		
18	1.0824E-08	1.0292E-08	9.5543E-09	8.5974E-09	7.2747E-09	5.6745E-09	4.0420E-09	2.4933E-09		

SOURCES 8 PLANE HZ = 68.50000 CM

	1	2	3	4	5	6	7	8	9	10
1	2.6571E-06	2.6355E-06	2.5716E-06	2.4702E-06	2.3414E-06	2.1913E-06	2.0114E-06	1.7901E-06	1.7321E-06	1.8095E-06
2	2.6355E-06	2.6355E-06	2.5925E-06	2.5083E-06	2.3893E-06	2.2522E-06	2.0949E-06	1.8964E-06	1.6441E-06	1.0630E-06
3	2.5716E-06	2.5925E-06	2.5716E-06	2.5083E-06	2.4021E-06	1.5068E-06	1.4297E-06	1.9778E-06	1.7534E-06	9.5401E-07
4	2.4702E-06	2.5083E-06	2.5083E-06	2.4702E-06	2.3893E-06	1.5068E-06	0.0	1.3600E-06	1.8454E-06	1.6140E-06
5	2.3414E-06	2.3893E-06	2.4021E-06	2.3893E-06	2.3414E-06	2.2522E-06	1.4297E-06	1.3600E-06	1.8799E-06	1.9273E-06
6	2.1913E-06	2.2522E-06	1.5068E-06	1.5068E-06	2.2522E-06	2.1913E-06	2.0949E-06	1.9778E-06	1.8454E-06	1.9273E-06
7	2.0114E-06	2.0949E-06	1.4297E-06	0.0	1.4297E-06	2.0949E-06	2.0114E-06	1.8964E-06	1.7534E-06	1.6140E-06
8	1.7901E-06	1.8964E-06	1.9778E-06	1.3600E-06	1.3600E-06	1.9778E-06	1.8964E-06	1.7901E-06	1.6441E-06	9.5401E-07
9	1.7321E-06	1.6441E-06	1.7534E-06	1.8454E-06	1.8799E-06	1.8454E-06	1.7534E-06	1.6441E-06	1.7321E-06	1.0630E-06
10	1.8095E-06	1.0630E-06	9.5401E-07	1.6140E-06	1.9273E-06	1.9273E-06	1.6140E-06	9.5401E-07	1.0630E-06	1.8095E-06
11	1.5955E-06	1.0605E-06	0.0	1.0498E-06	1.8922E-06	2.1591E-06	1.8922E-06	1.0498E-06	0.0	1.0605E-06
12	1.4055E-06	1.4773E-06	9.6942E-07	1.0395E-06	1.7941E-06	1.9112E-06	1.9112E-06	1.7941E-06	1.0395E-06	9.6942E-07
13	1.1627E-06	1.2746E-06	1.3453E-06	1.4188E-06	1.5297E-06	1.6327E-06	1.6717E-06	1.6327E-06	1.5297E-06	1.4188E-06
14	3.6609E-07	7.2497E-07	1.1036E-06	8.4800E-07	9.0687E-07	1.3325E-06	9.9080E-07	9.9080E-07	1.3325E-06	9.0687E-07
15	5.0872E-08	7.0439E-08	3.3747E-07	3.6803E-07	3.6803E-07	4.2067E-07	4.2067E-07	3.3747E-07	3.6803E-07	4.2067E-07
16	2.3882E-08	3.3816E-08	4.4676E-08	5.3235E-08	5.7177E-08	6.1470E-08	6.5944E-08	6.6071E-08	6.6071E-08	6.5944E-08
17	1.0076E-08	1.5035E-08	2.0185E-08	2.4888E-08	2.8229E-08	3.0578E-08	3.2638E-08	3.3801E-08	3.4007E-08	3.3801E-08
18	3.0444E-09	4.9345E-09	6.9303E-09	8.8865E-09	1.0500E-08	1.1660E-08	1.2546E-08	1.3182E-08	1.3461E-08	1.3461E-08
	11	12	13	14	15	16	17	18		
1	1.5955E-06	1.4055E-06	1.1627E-06	3.6609E-07	5.0872E-08	2.3882E-08	1.0076E-08	3.0444E-09		
2	1.0605E-06	1.4773E-06	1.2746E-06	7.2497E-07	7.0439E-08	3.3816E-08	1.5035E-08	4.9345E-09		
3	0.0	9.6942E-07	1.3453E-06	1.1036E-06	3.3747E-07	4.4676E-08	2.0185E-08	6.9303E-09		
4	1.0498E-06	1.0395E-06	1.4188E-06	8.4800E-07	3.6803E-07	5.3235E-08	2.4888E-08	8.8865E-09		
5	1.8922E-06	1.7941E-06	1.5297E-06	9.0687E-07	1.0316E-07	5.7177E-08	2.8229E-08	1.0500E-08		
6	2.1591E-06	1.9112E-06	1.6327E-06	1.3325E-06	4.2067E-07	6.1470E-08	3.0578E-08	1.1660E-08		
7	1.8922E-06	1.9112E-06	1.6717E-06	9.9080E-07	4.3624E-07	6.5944E-08	3.2638E-08	1.2546E-08		
8	1.0498E-06	1.7941E-06	1.6327E-06	9.9080E-07	1.1590E-07	6.6071E-08	3.3801E-08	1.3182E-08		
9	0.0	1.0395E-06	1.5297E-06	1.3325E-06	4.3624E-07	6.6071E-08	3.4007E-08	1.3461E-08		
10	1.0605E-06	9.6942E-07	1.4188E-06	9.0687E-07	4.2067E-07	6.5944E-08	3.3801E-08	1.3461E-08		
11	1.5955E-06	1.4773E-06	1.3453E-06	8.4800E-07	1.0316E-07	6.1470E-08	3.2638E-08	1.3182E-08		
12	1.4055E-06	1.4055E-06	1.2746E-06	1.1036E-06	3.6803E-07	5.7177E-08	3.0578E-08	1.2546E-08		
13	1.3453E-06	1.2746E-06	1.1627E-06	7.2497E-07	3.3747E-07	5.3235E-08	2.8229E-08	1.1660E-08		
14	8.4800E-07	1.1036E-06	7.2497E-07	3.6609E-07	7.0439E-08	4.4676E-08	2.4888E-08	1.0500E-08		
15	1.0316E-07	3.6803E-07	3.3747E-07	7.0439E-08	5.0872E-08	3.3816E-08	2.0185E-08	8.8865E-09		
16	6.1470E-08	5.7177E-08	5.3235E-08	4.4676E-08	3.3816E-08	2.3882E-08	1.5035E-08	6.9303E-09		
17	3.2638E-08	3.0578E-08	2.8229E-08	2.4888E-08	2.0185E-08	1.5035E-08	1.0076E-08	4.9345E-09		
18	1.3182E-08	1.2546E-08	1.1660E-08	1.0500E-08	8.8865E-09	6.9303E-09	4.9345E-09	3.0444E-09		

SOURCES 9 PLANE HZ = 78.0000 CM

	1	2	3	4	5	6	7	8	9	10
1	2.9300E-06	2.9069E-06	2.8389E-06	2.7311E-06	2.5946E-06	2.4365E-06	2.2480E-06	2.0162E-06	1.9723E-06	2.0848E-06
2	2.9069E-06	2.9069E-06	2.8611E-06	2.7714E-06	2.6450E-06	2.5000E-06	2.3349E-06	2.1271E-06	1.8616E-06	1.2193E-06
3	2.8389E-06	2.8611E-06	2.8389E-06	2.7714E-06	2.6583E-06	1.6716E-06	1.5904E-06	2.2112E-06	1.9754E-06	1.0869E-06
4	2.7311E-06	2.7714E-06	2.7714E-06	2.7311E-06	2.6450E-06	1.6716E-06	0.0	1.5169E-06	2.0712E-06	1.8265E-06
5	2.5946E-06	2.6450E-06	2.6583E-06	2.6450E-06	2.5946E-06	2.5000E-06	1.5904E-06	1.5169E-06	2.1071E-06	2.1726E-06
6	2.4365E-06	2.5000E-06	1.6716E-06	1.6716E-06	2.5000E-06	2.4365E-06	2.3349E-06	2.2112E-06	2.0712E-06	2.1726E-06
7	2.2480E-06	2.3349E-06	1.5904E-06	0.0	1.5904E-06	2.3349E-06	2.2480E-06	2.1271E-06	1.9754E-06	1.8265E-06
8	2.0162E-06	2.1271E-06	2.2112E-06	1.5169E-06	1.5169E-06	2.2112E-06	2.1271E-06	2.0162E-06	1.8616E-06	1.0869E-06
9	1.9723E-06	1.8616E-06	1.9754E-06	2.0712E-06	2.1071E-06	2.0712E-06	1.9754E-06	1.8616E-06	1.9723E-06	1.2193E-06
10	2.0848E-06	1.2193E-06	1.0869E-06	1.8265E-06	2.1726E-06	2.1726E-06	1.8265E-06	1.0869E-06	1.2193E-06	2.0848E-06
11	1.8478E-06	1.2297E-06	0.0	1.2011E-06	2.1474E-06	2.4439E-06	2.1474E-06	1.2011E-06	0.0	1.2297E-06
12	1.6236E-06	1.7111E-06	1.1265E-06	1.2004E-06	2.0496E-06	2.1714E-06	2.1714E-06	2.0496E-06	1.2004E-06	1.1265E-06
13	1.3372E-06	1.4691E-06	1.5540E-06	1.6365E-06	1.7534E-06	1.8601E-06	1.9004E-06	1.8601E-06	1.7534E-06	1.6365E-06
14	4.1978E-07	8.3227E-07	1.2683E-06	9.7462E-07	1.0390E-06	1.5199E-06	1.1270E-06	1.1270E-06	1.5199E-06	1.0390E-06
15	5.8365E-08	8.0883E-08	3.8668E-07	4.2173E-07	1.1830E-07	4.7988E-07	4.9641E-07	1.3205E-07	4.9641E-07	4.7988E-07
16	2.7348E-08	3.8756E-08	5.1231E-08	6.1048E-08	6.5506E-08	7.0279E-08	7.5231E-08	7.5273E-08	7.5273E-08	7.5231E-08
17	1.1524E-08	1.7205E-08	2.3112E-08	2.8503E-08	3.2311E-08	3.4952E-08	3.7241E-08	3.8511E-08	3.8724E-08	3.8511E-08
18	3.4833E-09	5.6467E-09	7.9344E-09	1.0177E-08	1.2021E-08	1.3337E-08	1.4329E-08	1.5032E-08	1.5335E-08	1.5335E-08
	11	12	13	14	15	16	17	18		
1	1.8478E-06	1.6236E-06	1.3372E-06	4.1978E-07	5.8365E-08	2.7348E-08	1.1524E-08	3.4833E-09		
2	1.2297E-06	1.7111E-06	1.4691E-06	8.3227E-07	8.0883E-08	3.8756E-08	1.7205E-08	5.6467E-09		
3	0.0	1.1265E-06	1.5540E-06	1.2683E-06	3.8668E-07	5.1231E-08	2.3112E-08	7.9344E-09		
4	1.2011E-06	1.2004E-06	1.6365E-06	9.7462E-07	4.2173E-07	6.1048E-08	2.8503E-08	1.0177E-08		
5	2.1474E-06	2.0496E-06	1.7534E-06	1.0390E-06	1.1830E-07	6.5506E-08	3.2311E-08	1.2021E-08		
6	2.4439E-06	2.1714E-06	1.8601E-06	1.5199E-06	4.7988E-07	7.0279E-08	3.4952E-08	1.3337E-08		
7	2.1474E-06	2.1714E-06	1.9004E-06	1.1270E-06	4.9641E-07	7.5231E-08	3.7241E-08	1.4329E-08		
8	1.2011E-06	2.0496E-06	1.8601E-06	1.1270E-06	1.3205E-07	7.5273E-08	3.8511E-08	1.5032E-08		
9	0.0	1.2004E-06	1.7534E-06	1.5199E-06	4.9641E-07	7.5273E-08	3.8724E-08	1.5335E-08		
10	1.2297E-06	1.1265E-06	1.6365E-06	1.0390E-06	4.7988E-07	7.5231E-08	3.8511E-08	1.5335E-08		
11	1.8478E-06	1.7111E-06	1.5540E-06	9.7462E-07	1.1830E-07	7.0279E-08	3.7241E-08	1.5032E-08		
12	1.7111E-06	1.6236E-06	1.4691E-06	1.2683E-06	4.2173E-07	6.5506E-08	3.4952E-08	1.4329E-08		
13	1.5540E-06	1.4691E-06	1.3372E-06	8.3227E-07	3.8668E-07	6.1048E-08	3.2311E-08	1.3337E-08		
14	9.7462E-07	1.2683E-06	8.3227E-07	4.1978E-07	8.0883E-08	5.1231E-08	2.8503E-08	1.2021E-08		
15	1.1830E-07	4.2173E-07	3.8668E-07	8.0883E-08	5.8365E-08	3.8756E-08	2.3112E-08	1.0177E-08		
16	7.0279E-08	6.5506E-08	6.1048E-08	5.1231E-08	3.8756E-08	2.7348E-08	1.7205E-08	7.9344E-09		
17	3.7241E-08	3.4952E-08	3.2311E-08	2.8503E-08	2.3112E-08	1.7205E-08	1.1524E-08	5.6467E-09		
18	1.5032E-08	1.4329E-08	1.3337E-08	1.2021E-08	1.0177E-08	7.9344E-09	5.6467E-09	3.4833E-09		

SOURCES 10 PLANE HZ = 87.50000 CM

	1	2	3	4	5	6	7	8	9	10
1	3.0633E-06	3.0401E-06	2.9717E-06	2.8636E-06	2.7276E-06	2.5719E-06	2.3896E-06	2.1699E-06	2.1696E-06	2.3505E-06
2	3.0401E-06	3.0401E-06	2.9941E-06	2.9039E-06	2.7773E-06	2.6336E-06	2.4725E-06	2.2737E-06	2.0268E-06	1.3815E-06
3	2.9717E-06	2.9941E-06	2.9717E-06	2.9039E-06	2.7904E-06	1.7596E-06	1.6797E-06	2.3516E-06	2.1291E-06	1.2121E-06
4	2.8636E-06	2.9039E-06	2.9039E-06	2.8636E-06	2.7773E-06	1.7596E-06	0.0	1.6074E-06	2.2149E-06	1.9850E-06
5	2.7276E-06	2.7773E-06	2.7904E-06	2.7773E-06	2.7276E-06	2.6336E-06	1.6797E-06	1.6074E-06	2.2471E-06	2.3363E-06
6	2.5719E-06	2.6336E-06	1.7596E-06	1.7596E-06	2.6336E-06	2.5719E-06	2.4725E-06	2.3516E-06	2.2149E-06	2.3363E-06
7	2.3896E-06	2.4725E-06	1.6797E-06	0.0	1.6797E-06	2.4725E-06	2.3896E-06	2.2737E-06	2.1291E-06	1.9850E-06
8	2.1699E-06	2.2737E-06	2.3516E-06	1.6074E-06	1.6074E-06	2.3516E-06	2.2737E-06	2.1699E-06	2.0268E-06	1.2121E-06
9	2.1696E-06	2.0268E-06	2.1291E-06	2.2149E-06	2.2471E-06	2.2149E-06	2.1291E-06	2.0268E-06	2.1696E-06	1.3815E-06
10	2.3505E-06	1.3815E-06	1.2121E-06	1.9850E-06	2.3363E-06	2.3363E-06	1.9850E-06	1.2121E-06	1.3815E-06	2.3505E-06
11	2.0898E-06	1.4329E-06	0.0	1.3558E-06	2.3382E-06	2.6413E-06	2.3382E-06	1.3558E-06	0.0	1.4329E-06
12	1.8092E-06	1.9333E-06	1.3275E-06	1.3932E-06	2.2623E-06	2.3585E-06	2.3585E-06	2.2623E-06	1.3932E-06	1.3275E-06
13	1.4723E-06	1.6278E-06	1.7408E-06	1.8380E-06	1.9404E-06	2.0273E-06	2.0613E-06	2.0273E-06	1.9404E-06	1.8380E-06
14	4.5889E-07	9.1270E-07	1.3963E-06	1.0757E-06	1.1417E-06	1.6565E-06	1.2218E-06	1.2218E-06	1.6565E-06	1.1417E-06
15	6.3583E-08	8.8274E-08	4.2243E-07	4.6127E-07	1.2919E-07	5.2189E-07	5.3776E-07	1.4284E-07	5.3776E-07	5.2189E-07
16	2.9697E-08	4.2144E-08	5.5782E-08	6.6512E-08	7.1310E-08	7.6315E-08	8.1459E-08	8.1344E-08	8.1344E-08	8.1459E-08
17	1.2487E-08	1.8661E-08	2.5093E-08	3.0964E-08	3.5090E-08	3.7901E-08	4.0295E-08	4.1590E-08	4.1787E-08	4.1590E-08
18	3.7736E-09	6.1196E-09	8.6060E-09	1.1045E-08	1.3047E-08	1.4461E-08	1.5509E-08	1.6239E-08	1.6546E-08	1.6546E-08
	11	12	13	14	15	16	17	18		
1	2.0898E-06	1.8092E-06	1.4723E-06	4.5889E-07	6.3583E-08	2.9697E-08	1.2487E-08	3.7736E-09		
2	1.4329E-06	1.9333E-06	1.6278E-06	9.1270E-07	8.8274E-08	4.2144E-08	1.8661E-08	6.1196E-09		
3	0.0	1.3275E-06	1.7408E-06	1.3963E-06	4.2243E-07	5.5782E-08	2.5093E-08	8.6060E-09		
4	1.3558E-06	1.3932E-06	1.8380E-06	1.0757E-06	4.6127E-07	6.6512E-08	3.0964E-08	1.1045E-08		
5	2.3382E-06	2.2623E-06	1.9404E-06	1.1417E-06	1.2919E-07	7.1310E-08	3.5090E-08	1.3047E-08		
6	2.6413E-06	2.3585E-06	2.0273E-06	1.6565E-06	5.2189E-07	7.6315E-08	3.7901E-08	1.4461E-08		
7	2.3382E-06	2.3585E-06	2.0613E-06	1.2218E-06	5.3776E-07	8.1459E-08	4.0295E-08	1.5509E-08		
8	1.3558E-06	2.2623E-06	2.0273E-06	1.2218E-06	1.4284E-07	8.1344E-08	4.1590E-08	1.6239E-08		
9	0.0	1.3932E-06	1.9404E-06	1.6565E-06	5.3776E-07	8.1344E-08	4.1787E-08	1.6546E-08		
10	1.4329E-06	1.3275E-06	1.8380E-06	1.1417E-06	5.2189E-07	8.1459E-08	4.1590E-08	1.6546E-08		
11	2.0898E-06	1.9333E-06	1.7408E-06	1.0757E-06	1.2919E-07	7.6315E-08	4.0295E-08	1.6239E-08		
12	1.9333E-06	1.8092E-06	1.6278E-06	1.3963E-06	4.6127E-07	7.1310E-08	3.7901E-08	1.5509E-08		
13	1.7408E-06	1.6278E-06	1.4723E-06	9.1270E-07	4.2243E-07	6.6512E-08	3.5090E-08	1.4461E-08		
14	1.0757E-06	1.3963E-06	9.1270E-07	4.5889E-07	8.8274E-08	5.5782E-08	3.0964E-08	1.3047E-08		
15	1.2919E-07	4.6127E-07	4.2243E-07	8.8274E-08	6.3583E-08	4.2144E-08	2.5093E-08	1.1045E-08		
16	7.6315E-08	7.1310E-08	6.6512E-08	5.5782E-08	4.2144E-08	2.9697E-08	1.8661E-08	8.6060E-09		
17	4.0295E-08	3.7901E-08	3.5090E-08	3.0964E-08	2.5093E-08	1.8661E-08	1.2487E-08	6.1196E-09		
18	1.6239E-08	1.5509E-08	1.4461E-08	1.3047E-08	1.1045E-08	8.6060E-09	6.1196E-09	3.7736E-09		

SOURCES 11 PLANE HZ = 97.00000 CM

	1	2	3	4	5	6	7	8	9	10
1	3.0427E-06	3.0206E-06	2.9553E-06	2.8524E-06	2.7239E-06	2.5788E-06	2.4121E-06	2.2166E-06	2.2622E-06	2.5027E-06
2	3.0206E-06	3.0206E-06	2.9766E-06	2.8907E-06	2.7705E-06	2.6354E-06	2.4867E-06	2.3076E-06	2.0943E-06	1.4829E-06
3	2.9553E-06	2.9766E-06	2.9553E-06	2.8907E-06	2.7826E-06	1.7598E-06	1.6853E-06	2.3750E-06	2.1790E-06	1.2860E-06
4	2.8524E-06	2.8907E-06	2.8907E-06	2.8524E-06	2.7705E-06	1.7598E-06	0.0	1.6179E-06	2.2486E-06	2.0476E-06
5	2.7239E-06	2.7705E-06	2.7826E-06	2.7705E-06	2.7239E-06	2.6354E-06	1.6853E-06	1.6179E-06	2.2752E-06	2.3841E-06
6	2.5788E-06	2.6354E-06	1.7598E-06	1.7598E-06	2.6354E-06	2.5788E-06	2.4867E-06	2.3750E-06	2.2486E-06	2.3841E-06
7	2.4121E-06	2.4867E-06	1.6853E-06	0.0	1.6853E-06	2.4867E-06	2.4121E-06	2.3076E-06	2.1790E-06	2.0476E-06
8	2.2166E-06	2.3076E-06	2.3750E-06	1.6179E-06	1.6179E-06	2.3750E-06	2.3076E-06	2.2166E-06	2.0943E-06	1.2860E-06
9	2.2622E-06	2.0943E-06	2.1790E-06	2.2486E-06	2.2752E-06	2.2486E-06	2.1790E-06	2.0943E-06	2.2622E-06	1.4829E-06
10	2.5027E-06	1.4829E-06	1.2860E-06	2.0476E-06	2.3841E-06	2.3841E-06	2.0476E-06	1.2860E-06	1.4829E-06	2.5027E-06
11	2.2281E-06	1.5684E-06	0.0	1.4514E-06	2.4143E-06	2.7072E-06	2.4143E-06	1.4514E-06	0.0	1.5684E-06
12	1.9035E-06	2.0589E-06	1.4650E-06	1.5215E-06	2.3640E-06	2.4277E-06	2.4277E-06	2.3640E-06	1.5215E-06	1.4650E-06
13	1.5327E-06	1.7042E-06	1.8400E-06	1.9479E-06	2.0307E-06	2.0928E-06	2.1184E-06	2.0928E-06	2.0307E-06	1.9479E-06
14	4.7464E-07	9.4683E-07	1.4537E-06	1.1222E-06	1.1867E-06	1.7096E-06	1.2548E-06	1.2548E-06	1.7096E-06	1.1867E-06
15	6.5477E-08	9.1059E-08	4.3668E-07	4.7733E-07	1.3333E-07	5.3738E-07	5.5178E-07	1.4619E-07	5.5178E-07	5.3738E-07
16	3.0486E-08	4.3322E-08	5.7413E-08	6.8497E-08	7.3381E-08	7.8358E-08	8.3429E-08	8.3163E-08	8.3163E-08	8.3429E-08
17	1.2791E-08	1.9134E-08	2.5754E-08	3.1798E-08	3.6024E-08	3.8858E-08	4.1231E-08	4.2483E-08	4.2654E-08	4.2483E-08
18	3.8631E-09	6.2676E-09	8.8218E-09	1.1329E-08	1.3383E-08	1.4821E-08	1.5870E-08	1.6589E-08	1.6883E-08	1.6883E-08
	11	12	13	14	15	16	17	18		
1	2.2281E-06	1.9035E-06	1.5327E-06	4.7464E-07	6.5477E-08	3.0486E-08	1.2791E-08	3.8631E-09		
2	1.5684E-06	2.0589E-06	1.7042E-06	9.4683E-07	9.1059E-08	4.3322E-08	1.9134E-08	6.2676E-09		
3	0.0	1.4650E-06	1.8400E-06	1.4537E-06	4.3668E-07	5.7413E-08	2.5754E-08	8.8218E-09		
4	1.4514E-06	1.5215E-06	1.9479E-06	1.1222E-06	4.7733E-07	6.8497E-08	3.1798E-08	1.1329E-08		
5	2.4143E-06	2.3640E-06	2.0307E-06	1.1867E-06	1.3333E-07	7.3381E-08	3.6024E-08	1.3383E-08		
6	2.7072E-06	2.4277E-06	2.0928E-06	1.7096E-06	5.3738E-07	7.8358E-08	3.8858E-08	1.4821E-08		
7	2.4143E-06	2.4277E-06	2.1184E-06	1.2548E-06	5.5178E-07	8.3429E-08	4.1231E-08	1.5870E-08		
8	1.4514E-06	2.3640E-06	2.0928E-06	1.2548E-06	1.4619E-07	8.3163E-08	4.2483E-08	1.6589E-08		
9	0.0	1.5215E-06	2.0307E-06	1.7096E-06	5.5178E-07	8.3163E-08	4.2654E-08	1.6883E-08		
10	1.5684E-06	1.4650E-06	1.9479E-06	1.1867E-06	5.3738E-07	8.3429E-08	4.2483E-08	1.6883E-08		
11	2.2281E-06	2.0589E-06	1.8400E-06	1.1222E-06	1.3333E-07	7.8358E-08	4.1231E-08	1.6589E-08		
12	2.0589E-06	1.9035E-06	1.7042E-06	1.4537E-06	4.7733E-07	7.3381E-08	3.8858E-08	1.5870E-08		
13	1.8400E-06	1.7042E-06	1.5327E-06	9.4683E-07	4.3668E-07	6.8497E-08	3.6024E-08	1.4821E-08		
14	1.1222E-06	1.4537E-06	9.4683E-07	4.7464E-07	9.1059E-08	5.7413E-08	3.1798E-08	1.3383E-08		
15	1.3333E-07	4.7733E-07	4.3668E-07	9.1059E-08	6.5477E-08	4.3322E-08	2.5754E-08	1.1329E-08		
16	7.8358E-08	7.3381E-08	6.8497E-08	5.7413E-08	4.3322E-08	3.0486E-08	1.9134E-08	8.8218E-09		
17	4.1231E-08	3.8858E-08	3.6024E-08	3.1798E-08	2.5754E-08	1.9134E-08	1.2791E-08	6.2676E-09		
18	1.6589E-08	1.5870E-08	1.4821E-08	1.3383E-08	1.1329E-08	8.8218E-09	6.2676E-09	3.8631E-09		

SOURCES 12 PLANE HZ = 106.50000 CM

	1	2	3	4	5	6	7	8	9	10
1	2.8625E-06	2.8425E-06	2.7835E-06	2.6907E-06	2.5751E-06	2.4455E-06	2.2979E-06	2.1262E-06	2.1908E-06	2.4444E-06
2	2.8425E-06	2.8425E-06	2.8027E-06	2.7251E-06	2.6169E-06	2.4957E-06	2.3634E-06	2.2055E-06	2.0192E-06	1.4474E-06
3	2.7835E-06	2.8027E-06	2.7835E-06	2.7251E-06	2.6276E-06	1.6662E-06	1.5995E-06	2.2636E-06	2.0914E-06	1.2499E-06
4	2.6907E-06	2.7251E-06	2.7251E-06	2.6907E-06	2.6169E-06	1.6662E-06	0.0	1.5392E-06	2.1501E-06	1.9726E-06
5	2.5751E-06	2.6169E-06	2.6276E-06	2.6169E-06	2.5751E-06	2.4957E-06	1.5995E-06	1.5392E-06	2.1725E-06	2.2870E-06
6	2.4455E-06	2.4957E-06	1.6662E-06	1.6662E-06	2.4957E-06	2.4455E-06	2.3634E-06	2.2636E-06	2.1501E-06	2.2870E-06
7	2.2979E-06	2.3634E-06	1.5995E-06	0.0	1.5995E-06	2.3634E-06	2.2979E-06	2.2055E-06	2.0914E-06	1.9726E-06
8	2.1262E-06	2.2055E-06	2.2636E-06	1.5392E-06	1.5392E-06	2.2636E-06	2.2055E-06	2.1262E-06	2.0192E-06	1.2499E-06
9	2.1908E-06	2.0192E-06	2.0914E-06	2.1501E-06	2.1725E-06	2.1501E-06	2.0914E-06	2.0192E-06	2.1908E-06	1.4474E-06
10	2.4444E-06	1.4474E-06	1.2499E-06	1.9726E-06	2.2870E-06	2.2870E-06	1.9726E-06	1.2499E-06	1.4474E-06	2.4444E-06
11	2.1804E-06	1.5396E-06	0.0	1.4140E-06	2.3290E-06	2.6042E-06	2.3290E-06	1.4140E-06	0.0	1.5396E-06
12	1.8570E-06	2.0141E-06	1.4392E-06	1.4899E-06	2.2919E-06	2.3411E-06	2.3411E-06	2.2919E-06	1.4899E-06	1.4392E-06
13	1.4897E-06	1.6595E-06	1.7956E-06	1.9001E-06	1.9716E-06	2.0215E-06	2.0423E-06	2.0215E-06	1.9716E-06	1.9001E-06
14	4.5974E-07	9.1865E-07	1.4122E-06	1.0903E-06	1.1503E-06	1.6520E-06	1.2094E-06	1.2094E-06	1.6520E-06	1.1503E-06
15	6.3094E-08	8.7839E-08	4.2277E-07	4.6220E-07	1.2853E-07	5.1862E-07	5.3147E-07	5.3147E-07	5.1862E-07	4.6220E-07
16	2.9314E-08	4.1694E-08	5.5297E-08	6.5985E-08	7.0633E-08	7.5308E-08	8.0056E-08	7.9708E-08	7.9708E-08	8.0056E-08
17	1.2280E-08	1.8381E-08	2.4757E-08	3.0574E-08	3.4625E-08	3.7309E-08	3.9534E-08	4.0687E-08	4.0831E-08	4.0687E-08
18	3.7046E-09	6.0134E-09	8.4689E-09	1.0880E-08	1.2851E-08	1.4222E-08	1.5211E-08	1.5880E-08	1.6150E-08	1.6150E-08
	11	12	13	14	15	16	17	18		
1	2.1804E-06	1.8570E-06	1.4897E-06	4.5974E-07	6.3094E-08	2.9314E-08	1.2280E-08	3.7046E-09		
2	1.5396E-06	2.0141E-06	1.6595E-06	9.1865E-07	8.7839E-08	4.1694E-08	1.8381E-08	6.0134E-09		
3	0.0	1.4392E-06	1.7956E-06	1.4122E-06	4.2277E-07	5.5297E-08	2.4757E-08	8.4689E-09		
4	1.4140E-06	1.4899E-06	1.9001E-06	1.0903E-06	4.6220E-07	6.5985E-08	3.0574E-08	1.0880E-08		
5	2.3290E-06	2.2919E-06	1.9716E-06	1.1503E-06	1.2853E-07	7.0633E-08	3.4625E-08	1.2851E-08		
6	2.6042E-06	2.3411E-06	2.0215E-06	1.6520E-06	5.1862E-07	7.5308E-08	3.7309E-08	1.4222E-08		
7	2.3290E-06	2.3411E-06	2.0423E-06	1.2094E-06	5.3147E-07	8.0056E-08	3.9534E-08	1.5211E-08		
8	1.4140E-06	2.2919E-06	2.0215E-06	1.2094E-06	1.4025E-07	7.9708E-08	4.0687E-08	1.5880E-08		
9	0.0	1.4899E-06	1.9716E-06	1.6520E-06	5.3147E-07	7.9708E-08	4.0831E-08	1.6150E-08		
10	1.5396E-06	1.4392E-06	1.9001E-06	1.1503E-06	5.1862E-07	8.0056E-08	4.0687E-08	1.6150E-08		
11	2.1804E-06	2.0141E-06	1.7956E-06	1.0903E-06	1.2853E-07	7.5308E-08	3.9534E-08	1.5880E-08		
12	2.0141E-06	1.8570E-06	1.6595E-06	1.4122E-06	4.6220E-07	7.0633E-08	3.7309E-08	1.5211E-08		
13	1.7956E-06	1.6595E-06	1.4897E-06	9.1865E-07	4.2277E-07	6.5985E-08	3.4625E-08	1.4222E-08		
14	1.0903E-06	1.4122E-06	9.1865E-07	4.5974E-07	8.7839E-08	5.5297E-08	3.0574E-08	1.2851E-08		
15	1.2853E-07	4.6220E-07	4.2277E-07	8.7839E-08	6.3094E-08	4.1694E-08	2.4757E-08	1.0880E-08		
16	7.5308E-08	7.0633E-08	6.5985E-08	5.5297E-08	4.1694E-08	2.9314E-08	1.8381E-08	8.4689E-09		
17	3.9534E-08	3.7309E-08	3.4625E-08	3.0574E-08	2.4757E-08	1.8381E-08	1.2280E-08	6.0134E-09		
18	1.5880E-08	1.5211E-08	1.4222E-08	1.2851E-08	1.0880E-08	8.4689E-09	6.0134E-09	3.7046E-09		

SOURCES 13 PLANE HZ = 116.00000 CM

	1	2	3	4	5	6	7	8	9	10
1	2.5290E-06	2.5121E-06	2.4622E-06	2.3837E-06	2.2858E-06	2.1756E-06	2.0498E-06	1.9036E-06	1.9704E-06	2.2067E-06
2	2.5121E-06	2.5121E-06	2.4785E-06	2.4129E-06	2.3214E-06	2.2187E-06	2.1059E-06	1.9710E-06	1.8122E-06	1.3061E-06
3	2.4622E-06	2.4785E-06	2.4622E-06	2.4129E-06	2.3308E-06	1.4822E-06	1.4254E-06	2.0206E-06	1.8730E-06	1.1255E-06
4	2.3837E-06	2.4129E-06	2.4129E-06	2.3837E-06	2.3214E-06	1.4822E-06	0.0	1.3736E-06	1.9224E-06	1.7694E-06
5	2.2858E-06	2.3214E-06	2.3308E-06	2.3214E-06	2.2858E-06	2.2187E-06	1.4254E-06	1.3736E-06	1.9413E-06	2.0476E-06
6	2.1756E-06	2.2187E-06	1.4822E-06	1.4822E-06	2.2187E-06	2.1756E-06	2.1059E-06	2.0206E-06	1.9224E-06	2.0476E-06
7	2.0498E-06	2.1059E-06	1.4254E-06	0.0	1.4254E-06	2.1059E-06	2.0498E-06	1.9710E-06	1.8730E-06	1.7694E-06
8	1.9036E-06	1.9710E-06	2.0206E-06	1.3736E-06	1.3736E-06	2.0206E-06	1.9710E-06	1.9036E-06	1.8122E-06	1.1255E-06
9	1.9704E-06	1.8122E-06	1.8730E-06	1.9224E-06	1.9413E-06	1.9224E-06	1.8730E-06	1.8122E-06	1.9704E-06	1.3061E-06
10	2.2067E-06	1.3061E-06	1.1255E-06	1.7694E-06	2.0476E-06	2.0476E-06	1.7694E-06	1.1255E-06	1.3061E-06	2.2067E-06
11	1.9700E-06	1.3924E-06	0.0	1.2744E-06	2.0901E-06	2.3342E-06	2.0901E-06	1.2744E-06	0.0	1.3924E-06
12	1.6760E-06	1.8193E-06	1.3016E-06	1.3455E-06	2.0610E-06	2.1002E-06	2.1002E-06	2.0610E-06	1.3455E-06	1.3016E-06
13	1.3425E-06	1.4965E-06	1.6201E-06	1.7135E-06	1.7742E-06	1.8147E-06	1.8317E-06	1.8147E-06	1.7742E-06	1.7135E-06
14	4.1300E-07	8.2682E-07	1.2722E-06	9.8136E-07	1.0341E-06	1.4835E-06	1.0840E-06	1.0840E-06	1.4835E-06	1.0341E-06
15	5.6022E-08	7.8042E-08	3.7970E-07	4.1506E-07	1.1409E-07	4.6473E-07	4.7572E-07	1.2415E-07	4.7572E-07	4.6473E-07
16	2.6005E-08	3.6996E-08	4.9082E-08	5.8567E-08	6.2646E-08	6.6724E-08	7.0870E-08	7.0506E-08	7.0870E-08	6.2646E-08
17	1.0886E-08	1.6299E-08	2.1952E-08	2.7107E-08	3.0685E-08	3.3037E-08	3.4975E-08	3.5969E-08	3.6084E-08	3.5969E-08
18	3.2767E-09	5.3213E-09	7.4949E-09	9.6281E-09	1.1369E-08	1.2574E-08	1.3437E-08	1.4018E-08	1.4248E-08	1.4248E-08
	11	12	13	14	15	16	17	18		
1	1.9700E-06	1.6760E-06	1.3425E-06	4.1300E-07	5.6022E-08	2.6005E-08	1.0886E-08	3.2767E-09		
2	1.3924E-06	1.8193E-06	1.4965E-06	8.2682E-07	7.8042E-08	3.6996E-08	1.6299E-08	5.3213E-09		
3	0.0	1.3016E-06	1.6201E-06	1.2722E-06	3.7970E-07	4.9082E-08	2.1952E-08	7.4949E-09		
4	1.2744E-06	1.3455E-06	1.7135E-06	9.8136E-07	4.1506E-07	5.8567E-08	2.7107E-08	9.6281E-09		
5	2.0901E-06	2.0610E-06	1.7742E-06	1.0341E-06	1.1409E-07	6.2646E-08	3.0685E-08	1.1369E-08		
6	2.3342E-06	2.1002E-06	1.8147E-06	1.4835E-06	4.6473E-07	6.6724E-08	3.3037E-08	1.2574E-08		
7	2.0901E-06	2.1002E-06	1.8317E-06	1.0840E-06	4.7572E-07	7.0870E-08	3.4975E-08	1.3437E-08		
8	1.2744E-06	2.0610E-06	1.8147E-06	1.0840E-06	1.2415E-07	7.0506E-08	3.5969E-08	1.4018E-08		
9	0.0	1.3455E-06	1.7742E-06	1.4835E-06	4.7572E-07	7.0506E-08	3.6084E-08	1.4248E-08		
10	1.3924E-06	1.3016E-06	1.7135E-06	1.0341E-06	4.6473E-07	7.0870E-08	3.5969E-08	1.4248E-08		
11	1.9700E-06	1.8193E-06	1.6201E-06	9.8136E-07	1.1409E-07	6.6724E-08	3.4975E-08	1.4018E-08		
12	1.8193E-06	1.6760E-06	1.4965E-06	1.2722E-06	4.1506E-07	6.2646E-08	3.3037E-08	1.3437E-08		
13	1.6201E-06	1.4965E-06	1.3425E-06	8.2682E-07	3.7970E-07	5.8567E-08	3.0685E-08	1.2574E-08		
14	9.8136E-07	1.2722E-06	8.2682E-07	4.1300E-07	7.8042E-08	4.9082E-08	2.7107E-08	1.1369E-08		
15	1.1409E-07	4.1506E-07	3.7970E-07	7.8042E-08	5.6022E-08	3.6996E-08	2.1952E-08	9.6281E-09		
16	6.6724E-08	6.2646E-08	5.8567E-08	4.9082E-08	6.2646E-08	2.6005E-08	1.6299E-08	7.4949E-09		
17	3.4975E-08	3.3037E-08	3.0685E-08	2.7107E-08	2.1952E-08	1.6299E-08	1.0886E-08	5.3213E-09		
18	1.4018E-08	1.3437E-08	1.2574E-08	1.1369E-08	9.6281E-09	7.4949E-09	5.3213E-09	3.2767E-09		

SOURCES 14 PLANE HZ = 125.50000 CM

	1	2	3	4	5	6	7	8	9	10
1	2.0670E-06	2.0540E-06	2.0158E-06	1.9554E-06	1.8794E-06	1.7920E-06	1.6905E-06	1.5725E-06	1.6324E-06	1.8319E-06
2	2.0540E-06	2.0540E-06	2.0283E-06	1.9781E-06	1.9081E-06	1.8280E-06	1.7370E-06	1.6272E-06	1.4993E-06	1.0857E-06
3	2.0158E-06	2.0283E-06	2.0158E-06	1.9781E-06	1.9162E-06	1.2246E-06	1.1793E-06	1.6691E-06	1.5481E-06	9.3393E-07
4	1.9554E-06	1.9781E-06	1.9781E-06	1.9554E-06	1.9081E-06	1.2246E-06	0.0	1.1375E-06	1.5879E-06	1.4622E-06
5	1.8794E-06	1.9081E-06	1.9162E-06	1.9081E-06	1.8794E-06	1.8280E-06	1.1793E-06	1.1375E-06	1.6034E-06	1.6897E-06
6	1.7920E-06	1.8280E-06	1.2246E-06	1.2246E-06	1.8280E-06	1.7920E-06	1.7370E-06	1.6691E-06	1.5879E-06	1.6897E-06
7	1.6905E-06	1.7370E-06	1.1793E-06	0.0	1.1793E-06	1.7370E-06	1.6905E-06	1.6272E-06	1.5481E-06	1.4622E-06
8	1.5725E-06	1.6272E-06	1.6691E-06	1.1375E-06	1.1375E-06	1.6691E-06	1.6272E-06	1.5725E-06	1.4993E-06	9.3393E-07
9	1.6324E-06	1.4993E-06	1.5481E-06	1.5879E-06	1.6034E-06	1.5879E-06	1.5481E-06	1.4993E-06	1.6324E-06	1.0857E-06
10	1.8319E-06	1.0857E-06	9.3393E-07	1.4622E-06	1.6897E-06	1.6897E-06	1.4622E-06	9.3393E-07	1.0857E-06	1.8319E-06
11	1.6330E-06	1.1582E-06	0.0	1.0575E-06	1.7251E-06	1.9242E-06	1.7251E-06	1.0575E-06	0.0	1.1582E-06
12	1.3852E-06	1.5066E-06	1.0819E-06	1.1173E-06	1.7019E-06	1.7294E-06	1.7294E-06	1.7019E-06	1.1173E-06	1.0819E-06
13	1.1075E-06	1.2356E-06	1.3395E-06	1.4170E-06	1.4641E-06	1.4937E-06	1.5063E-06	1.4937E-06	1.4641E-06	1.4170E-06
14	3.3782E-07	6.8010E-07	1.0497E-06	8.0772E-07	8.5030E-07	1.2211E-06	8.8880E-07	8.8880E-07	1.2211E-06	8.5030E-07
15	4.4242E-08	6.1526E-08	3.1076E-07	3.3967E-07	8.9814E-08	3.7968E-07	3.8828E-07	9.7503E-08	3.8828E-07	3.7968E-07
16	2.0645E-08	2.9293E-08	3.8783E-08	4.6234E-08	4.9435E-08	5.2611E-08	5.5827E-08	5.5517E-08	5.5517E-08	5.5827E-08
17	8.6727E-09	1.2961E-08	1.7414E-08	2.1467E-08	2.4281E-08	2.6126E-08	2.7635E-08	2.8403E-08	2.8491E-08	2.8403E-08
18	2.5977E-09	4.2195E-09	5.9306E-09	7.6040E-09	8.9685E-09	9.9122E-09	1.0585E-08	1.1035E-08	1.1213E-08	1.1213E-08
	11	12	13	14	15	16	17	18		
1	1.6330E-06	1.3852E-06	1.1075E-06	3.3782E-07	4.4242E-08	2.0645E-08	8.6727E-09	2.5977E-09		
2	1.1582E-06	1.5066E-06	1.2356E-06	6.8010E-07	6.1526E-08	2.9293E-08	1.2961E-08	4.2195E-09		
3	0.0	1.0819E-06	1.3395E-06	1.0497E-06	3.1076E-07	3.8783E-08	1.7414E-08	5.9306E-09		
4	1.0575E-06	1.1173E-06	1.4170E-06	8.0772E-07	3.3967E-07	4.6234E-08	2.1467E-08	7.6040E-09		
5	1.7251E-06	1.7019E-06	1.4641E-06	8.5030E-07	8.9814E-08	4.9435E-08	2.4281E-08	8.9685E-09		
6	1.9242E-06	1.7294E-06	1.4937E-06	1.2211E-06	3.7968E-07	5.2611E-08	2.6126E-08	9.9122E-09		
7	1.7251E-06	1.7294E-06	1.5063E-06	8.8880E-07	3.8828E-07	5.5827E-08	2.7635E-08	1.0585E-08		
8	1.0575E-06	1.7019E-06	1.4937E-06	8.8880E-07	9.7503E-08	5.5517E-08	2.8403E-08	1.1035E-08		
9	0.0	1.1173E-06	1.4641E-06	1.2211E-06	3.8828E-07	5.5517E-08	2.8491E-08	1.1213E-08		
10	1.1582E-06	1.0819E-06	1.4170E-06	8.5030E-07	3.7968E-07	5.5827E-08	2.8403E-08	1.1213E-08		
11	1.6330E-06	1.5066E-06	1.3395E-06	8.0772E-07	8.9814E-08	5.2611E-08	2.7635E-08	1.1035E-08		
12	1.5066E-06	1.3852E-06	1.2356E-06	1.0497E-06	3.3967E-07	4.9435E-08	2.6126E-08	1.0585E-08		
13	1.3395E-06	1.2356E-06	1.1075E-06	6.8010E-07	3.1076E-07	4.6234E-08	2.4281E-08	9.9122E-09		
14	8.0772E-07	1.0497E-06	6.8010E-07	3.3782E-07	6.1526E-08	3.8783E-08	2.1467E-08	8.9685E-09		
15	8.9814E-08	3.3967E-07	3.1076E-07	6.1526E-08	4.4242E-08	2.9293E-08	1.7414E-08	7.6040E-09		
16	5.2611E-08	4.9435E-08	4.6234E-08	3.8783E-08	2.9293E-08	2.0645E-08	1.2961E-08	5.9306E-09		
17	2.7635E-08	2.6126E-08	2.4281E-08	2.1467E-08	1.7414E-08	1.2961E-08	8.6727E-09	4.2195E-09		
18	1.1035E-08	1.0585E-08	9.9122E-09	8.9685E-09	7.6040E-09	5.9306E-09	4.2195E-09	2.5977E-09		

SOURCES 15 PLANE HZ = 135.00000 CM

	1	2	3	4	5	6	7	8	9	10
1	8.1253E-07	8.0791E-07	7.9434E-07	7.7287E-07	7.4518E-07	7.1187E-07	6.7205E-07	6.2593E-07	6.4570E-07	7.1576E-07
2	8.0791E-07	8.0791E-07	7.9879E-07	7.8116E-07	7.5652E-07	7.2704E-07	6.9125E-07	6.4757E-07	5.9800E-07	4.2964E-07
3	7.9434E-07	7.9879E-07	7.9434E-07	7.8116E-07	7.6016E-07	4.8925E-07	4.7198E-07	6.6555E-07	6.1687E-07	3.7403E-07
4	7.7287E-07	7.8116E-07	7.8116E-07	7.7287E-07	7.5652E-07	4.8925E-07	0.0	4.5574E-07	6.3258E-07	5.8220E-07
5	7.4518E-07	7.5652E-07	7.6016E-07	7.5652E-07	7.4518E-07	7.2704E-07	4.7198E-07	4.5574E-07	6.3900E-07	6.6457E-07
6	7.1187E-07	7.2704E-07	4.8925E-07	4.8925E-07	7.2704E-07	7.1187E-07	6.9125E-07	6.6555E-07	6.3258E-07	6.6457E-07
7	6.7205E-07	6.9125E-07	4.7198E-07	0.0	4.7198E-07	6.9125E-07	6.7205E-07	6.4757E-07	6.1687E-07	5.8220E-07
8	6.2593E-07	6.4757E-07	6.6555E-07	4.5574E-07	4.5574E-07	6.6555E-07	6.4757E-07	6.2593E-07	5.9800E-07	3.7403E-07
9	6.4570E-07	5.9800E-07	6.1687E-07	6.3258E-07	6.3900E-07	6.3258E-07	6.1687E-07	5.9800E-07	6.4570E-07	4.2964E-07
10	7.1576E-07	4.2964E-07	3.7403E-07	5.8220E-07	6.6457E-07	6.6457E-07	5.8220E-07	3.7403E-07	4.2964E-07	7.1576E-07
11	6.3534E-07	4.5383E-07	0.0	4.1737E-07	6.7225E-07	7.4318E-07	6.7225E-07	4.1737E-07	0.0	4.5383E-07
12	5.3479E-07	5.8457E-07	4.2325E-07	4.3656E-07	6.5833E-07	6.6561E-07	6.6561E-07	6.5833E-07	4.3656E-07	4.2325E-07
13	4.2409E-07	4.7518E-07	5.1714E-07	5.4766E-07	5.6412E-07	5.7298E-07	5.7663E-07	5.7298E-07	5.6412E-07	5.4766E-07
14	1.4067E-07	2.6642E-07	4.0146E-07	3.1806E-07	3.3446E-07	4.6608E-07	3.4821E-07	3.4821E-07	4.6608E-07	3.3446E-07
15	2.7822E-08	3.7773E-08	1.2908E-07	1.4144E-07	5.4611E-08	1.5792E-07	1.6134E-07	5.9040E-08	1.6134E-07	1.5792E-07
16	1.3539E-08	1.8879E-08	2.4507E-08	2.8947E-08	3.1121E-08	3.3079E-08	3.4875E-08	3.4845E-08	3.4845E-08	3.4875E-08
17	5.8131E-09	8.6038E-09	1.1410E-08	1.3931E-08	1.5726E-08	1.6927E-08	1.7864E-08	1.8348E-08	1.8424E-08	1.8348E-08
18	1.7260E-09	2.7976E-09	3.8913E-09	4.9410E-09	5.7992E-09	6.4034E-09	6.8318E-09	7.1134E-09	7.2286E-09	7.2286E-09
	11	12	13	14	15	16	17	18		
1	6.3534E-07	5.3479E-07	4.2409E-07	1.4067E-07	2.7822E-08	1.3539E-08	5.8131E-09	1.7260E-09		
2	4.5383E-07	5.8457E-07	4.7518E-07	2.6642E-07	3.7773E-08	1.8879E-08	8.6038E-09	2.7976E-09		
3	0.0	4.2325E-07	5.1714E-07	4.0146E-07	1.2908E-07	2.4507E-08	1.1410E-08	3.8913E-09		
4	4.1737E-07	4.3656E-07	5.4766E-07	3.1806E-07	1.4144E-07	2.8947E-08	1.3931E-08	4.9410E-09		
5	6.7225E-07	6.5833E-07	5.6412E-07	3.3446E-07	5.4611E-08	3.1121E-08	1.5726E-08	5.7992E-09		
6	7.4318E-07	6.6561E-07	5.7298E-07	4.6608E-07	1.5792E-07	3.3079E-08	1.6927E-08	6.4034E-09		
7	6.7225E-07	6.6561E-07	5.7663E-07	3.4821E-07	1.6134E-07	3.4875E-08	1.7864E-08	6.8318E-09		
8	4.1737E-07	6.5833E-07	5.7298E-07	3.4821E-07	5.9040E-08	3.4845E-08	1.8348E-08	7.1134E-09		
9	0.0	4.3656E-07	5.6412E-07	4.6608E-07	1.6134E-07	3.4845E-08	1.8424E-08	7.2286E-09		
10	4.5383E-07	4.2325E-07	5.4766E-07	3.3446E-07	1.5792E-07	3.4875E-08	1.8348E-08	7.2286E-09		
11	6.3534E-07	5.8457E-07	5.1714E-07	3.1806E-07	5.4611E-08	3.3079E-08	1.7864E-08	7.1134E-09		
12	5.8457E-07	5.3479E-07	4.7518E-07	4.0146E-07	1.4144E-07	3.1121E-08	1.6927E-08	6.8318E-09		
13	5.1714E-07	4.7518E-07	4.2409E-07	2.6642E-07	1.2908E-07	2.8947E-08	1.5726E-08	6.4034E-09		
14	3.1806E-07	4.0146E-07	2.6642E-07	1.4067E-07	3.7773E-08	2.4507E-08	1.3931E-08	5.7992E-09		
15	5.4611E-08	1.4144E-07	1.2908E-07	3.7773E-08	2.7822E-08	1.8879E-08	1.1410E-08	4.9410E-09		
16	3.3079E-08	3.1121E-08	2.8947E-08	2.4507E-08	1.8879E-08	1.3539E-08	8.6038E-09	3.8913E-09		
17	1.7864E-08	1.6927E-08	1.5726E-08	1.3931E-08	1.1410E-08	8.6038E-09	5.8131E-09	2.7976E-09		
18	7.1134E-09	6.8318E-09	6.4034E-09	5.7992E-09	4.9410E-09	3.8913E-09	2.7976E-09	1.7260E-09		

SOURCES 16 PLANE HZ = 145.00000 CM

	1	2	3	4	5	6	7	8	9	10
1	7.1278E-08	7.0907E-08	6.9846E-08	6.8226E-08	6.6122E-08	6.3430E-08	6.0167E-08	5.6694E-08	5.3453E-08	4.9849E-08
2	7.0907E-08	7.0907E-08	7.0195E-08	6.8902E-08	6.7263E-08	6.5116E-08	6.2011E-08	5.8363E-08	5.4951E-08	3.4928E-08
3	6.9846E-08	7.0195E-08	6.9846E-08	6.8902E-08	6.7790E-08	4.5004E-08	4.3574E-08	6.0265E-08	5.6260E-08	3.5652E-08
4	6.8226E-08	6.8902E-08	6.8902E-08	6.8226E-08	6.7263E-08	4.5004E-08	0.0	4.2267E-08	5.7560E-08	5.3683E-08
5	6.6122E-08	6.7263E-08	6.7790E-08	6.7263E-08	6.6122E-08	6.5116E-08	4.3574E-08	4.2267E-08	5.8238E-08	5.4258E-08
6	6.3430E-08	6.5116E-08	4.5004E-08	4.5004E-08	6.5116E-08	6.3430E-08	6.2011E-08	6.0265E-08	5.7560E-08	5.4258E-08
7	6.0167E-08	6.2011E-08	4.3574E-08	0.0	4.3574E-08	6.2011E-08	6.0167E-08	5.8363E-08	5.6260E-08	5.3683E-08
8	5.6694E-08	5.8363E-08	6.0265E-08	4.2267E-08	4.2267E-08	6.0265E-08	5.8363E-08	5.6694E-08	5.4951E-08	3.5652E-08
9	5.3453E-08	5.4951E-08	5.6260E-08	5.7560E-08	5.8238E-08	5.7560E-08	5.6260E-08	5.4951E-08	5.3453E-08	3.4928E-08
10	4.9849E-08	3.4928E-08	3.5652E-08	5.3683E-08	5.4258E-08	5.4258E-08	5.3683E-08	3.5652E-08	3.4928E-08	4.9849E-08
11	4.4113E-08	3.2259E-08	0.0	3.3872E-08	5.0209E-08	5.0401E-08	5.0209E-08	3.3872E-08	0.0	3.2259E-08
12	3.6262E-08	4.0242E-08	2.9914E-08	3.0788E-08	4.5076E-08	4.5143E-08	4.5143E-08	4.5076E-08	3.0788E-08	2.9914E-08
13	2.7436E-08	3.1497E-08	3.4711E-08	3.6893E-08	3.7855E-08	3.8192E-08	3.8312E-08	3.8192E-08	3.7855E-08	3.6893E-08
14	2.3491E-08	2.5652E-08	2.5457E-08	3.1359E-08	3.2996E-08	2.9734E-08	3.4203E-08	3.4203E-08	2.9734E-08	3.2996E-08
15	1.4760E-08	1.9169E-08	2.1329E-08	2.3584E-08	2.7166E-08	2.6403E-08	2.6945E-08	2.9141E-08	2.6945E-08	2.6403E-08
16	7.7287E-09	1.0459E-08	1.3127E-08	1.5255E-08	1.6537E-08	1.7543E-08	1.8306E-08	1.8425E-08	1.8425E-08	1.8306E-08
17	3.4410E-09	5.0116E-09	6.5014E-09	7.8095E-09	8.7808E-09	9.4556E-09	9.9438E-09	1.0202E-08	1.0202E-08	1.0202E-08
18	1.0040E-09	1.6223E-09	2.2162E-09	2.7662E-09	3.2179E-09	3.5465E-09	3.7781E-09	3.9263E-09	3.9903E-09	3.9903E-09
	11	12	13	14	15	16	17	18		
1	4.4113E-08	3.6262E-08	2.7436E-08	2.3491E-08	1.4760E-08	7.7287E-09	3.4410E-09	1.0040E-09		
2	3.2259E-08	4.0242E-08	3.1497E-08	2.5652E-08	1.9169E-08	1.0459E-08	5.0116E-09	1.6223E-09		
3	0.0	2.9914E-08	3.4711E-08	2.5457E-08	2.1329E-08	1.3127E-08	6.5014E-09	2.2162E-09		
4	3.3872E-08	3.0788E-08	3.6893E-08	3.1359E-08	2.3584E-08	1.5255E-08	7.8095E-09	2.7662E-09		
5	5.0209E-08	4.5076E-08	3.7855E-08	3.2996E-08	2.7166E-08	1.6537E-08	8.7808E-09	3.2179E-09		
6	5.0401E-08	4.5143E-08	3.8192E-08	2.9734E-08	2.6403E-08	1.7543E-08	9.4556E-09	3.5465E-09		
7	5.0209E-08	4.5143E-08	3.8312E-08	3.4203E-08	2.6945E-08	1.8306E-08	9.9438E-09	3.7781E-09		
8	3.3872E-08	4.5076E-08	3.8192E-08	3.4203E-08	2.9141E-08	1.8425E-08	1.0202E-08	3.9263E-09		
9	0.0	3.0788E-08	3.7855E-08	2.9734E-08	2.6945E-08	1.8425E-08	1.0202E-08	3.9903E-09		
10	3.2259E-08	2.9914E-08	3.6893E-08	3.2996E-08	2.6403E-08	1.8306E-08	1.0202E-08	3.9903E-09		
11	4.4113E-08	4.0242E-08	3.4711E-08	3.1359E-08	2.7166E-08	1.7543E-08	9.9438E-09	3.9263E-09		
12	4.0242E-08	3.6262E-08	3.1497E-08	2.5457E-08	2.3584E-08	1.6537E-08	9.4556E-09	3.7781E-09		
13	3.4711E-08	3.1497E-08	2.7436E-08	2.5652E-08	1.9169E-08	1.0459E-08	5.0116E-09	1.6223E-09		
14	3.1359E-08	2.5457E-08	2.5652E-08	2.3491E-08	1.9169E-08	1.3127E-08	7.8095E-09	2.7662E-09		
15	2.7166E-08	2.3584E-08	2.1329E-08	1.9169E-08	1.4760E-08	1.0459E-08	6.5014E-09	2.7662E-09		
16	1.7543E-08	1.6537E-08	1.5255E-08	1.3127E-08	1.0459E-08	7.7287E-09	5.0116E-09	2.2162E-09		
17	9.9438E-09	9.4556E-09	8.7808E-09	7.8095E-09	6.5014E-09	5.0116E-09	3.4410E-09	1.6223E-09		
18	3.9263E-09	3.7781E-09	3.5465E-09	3.2179E-09	2.7662E-09	2.2162E-09	1.6223E-09	1.0040E-09		

SOURCES 17 PLANE HZ = 155.00000 CM

	1	2	3	4	5	6	7	8	9	10
1	3.2286E-08	3.2174E-08	3.1866E-08	3.1404E-08	3.0705E-08	2.9559E-08	2.7995E-08	2.6361E-08	2.4903E-08	2.3147E-08
2	3.2174E-08	3.2174E-08	3.1970E-08	3.1643E-08	3.1264E-08	3.0518E-08	2.9022E-08	2.7190E-08	2.5638E-08	1.6387E-08
3	3.1866E-08	3.1970E-08	3.1866E-08	3.1643E-08	3.1586E-08	2.1390E-08	2.0765E-08	2.8322E-08	2.6244E-08	1.6735E-08
4	3.1404E-08	3.1643E-08	3.1643E-08	3.1404E-08	3.1264E-08	2.1390E-08	0.0	2.0152E-08	2.6872E-08	2.4868E-08
5	3.0705E-08	3.1264E-08	3.1586E-08	3.1264E-08	3.0705E-08	3.0518E-08	2.0765E-08	2.0152E-08	2.7229E-08	2.4890E-08
6	2.9559E-08	3.0518E-08	2.1390E-08	2.1390E-08	3.0518E-08	2.9559E-08	2.9022E-08	2.8322E-08	2.6872E-08	2.4890E-08
7	2.7995E-08	2.9022E-08	2.0765E-08	0.0	2.0765E-08	2.9022E-08	2.7995E-08	2.7190E-08	2.6244E-08	2.4868E-08
8	2.6361E-08	2.7190E-08	2.8322E-08	2.0152E-08	2.0152E-08	2.8322E-08	2.7190E-08	2.6361E-08	2.5638E-08	1.6735E-08
9	2.4903E-08	2.5638E-08	2.6244E-08	2.6872E-08	2.7229E-08	2.6872E-08	2.6244E-08	2.5638E-08	2.4903E-08	1.6387E-08
10	2.3147E-08	1.6387E-08	1.6735E-08	2.4868E-08	2.4890E-08	2.4890E-08	2.4868E-08	1.6735E-08	1.6387E-08	2.3147E-08
11	2.0186E-08	1.5031E-08	0.0	1.5758E-08	2.2801E-08	2.2686E-08	2.2801E-08	1.5758E-08	0.0	1.5031E-08
12	1.6294E-08	1.8305E-08	1.3877E-08	1.4260E-08	2.0386E-08	2.0112E-08	2.0112E-08	2.0386E-08	1.4260E-08	1.3877E-08
13	1.2304E-08	1.4130E-08	1.5724E-08	1.6801E-08	1.7077E-08	1.7007E-08	1.6982E-08	1.7007E-08	1.7077E-08	1.6801E-08
14	1.0865E-08	1.1662E-08	1.1528E-08	1.4305E-08	1.5021E-08	1.3391E-08	1.5381E-08	1.5381E-08	1.3391E-08	1.5021E-08
15	7.2037E-09	9.1397E-09	9.9691E-09	1.1019E-08	1.2791E-08	1.2289E-08	1.2498E-08	1.3608E-08	1.2498E-08	1.2289E-08
16	3.9412E-09	5.2323E-09	6.4471E-09	7.4260E-09	8.0607E-09	8.5347E-09	8.8619E-09	8.9298E-09	8.9298E-09	8.8619E-09
17	1.7942E-09	2.5857E-09	3.3038E-09	3.9242E-09	4.3950E-09	4.7274E-09	4.9585E-09	5.0804E-09	5.1105E-09	5.0804E-09
18	5.1030E-10	8.2473E-10	1.1115E-09	1.3692E-09	1.5810E-09	1.7379E-09	1.8479E-09	1.9169E-09	1.9471E-09	1.9471E-09
	11	12	13	14	15	16	17	18		
1	2.0186E-08	1.6294E-08	1.2304E-08	1.0865E-08	7.2037E-09	3.9412E-09	1.7942E-09	5.1030E-10		
2	1.5031E-08	1.8305E-08	1.4130E-08	1.1662E-08	9.1397E-09	5.2323E-09	2.5857E-09	8.2473E-10		
3	0.0	1.3877E-08	1.5724E-08	1.1528E-08	9.9691E-09	6.4471E-09	3.3038E-09	1.1115E-09		
4	1.5758E-08	1.4260E-08	1.6801E-08	1.4305E-08	1.1019E-08	7.4260E-09	3.9242E-09	1.3692E-09		
5	2.2801E-08	2.0386E-08	1.7077E-08	1.5021E-08	1.2791E-08	8.0607E-09	4.3950E-09	1.5810E-09		
6	2.2686E-08	2.0112E-08	1.7007E-08	1.3391E-08	1.2289E-08	8.5347E-09	4.7274E-09	1.7379E-09		
7	2.2801E-08	2.0112E-08	1.6982E-08	1.5381E-08	1.2498E-08	8.8619E-09	4.9585E-09	1.8479E-09		
8	1.5758E-08	2.0386E-08	1.7007E-08	1.5381E-08	1.3608E-08	8.9298E-09	5.0804E-09	1.9169E-09		
9	0.0	1.4260E-08	1.7077E-08	1.3391E-08	1.2498E-08	8.9298E-09	5.1105E-09	1.9471E-09		
10	1.5031E-08	1.3877E-08	1.6801E-08	1.5021E-08	1.2289E-08	8.8619E-09	5.0804E-09	1.9471E-09		
11	2.0186E-08	1.8305E-08	1.5724E-08	1.4305E-08	1.2791E-08	8.5347E-09	4.9585E-09	1.9169E-09		
12	1.8305E-08	1.6294E-08	1.4130E-08	1.1528E-08	1.1019E-08	8.0607E-09	4.7274E-09	1.8479E-09		
13	1.5724E-08	1.4130E-08	1.2304E-08	1.1662E-08	9.9691E-09	7.4260E-09	4.3950E-09	1.7379E-09		
14	1.4305E-08	1.1528E-08	1.1662E-08	1.0865E-08	9.1397E-09	6.4471E-09	3.9242E-09	1.5810E-09		
15	1.2791E-08	1.1019E-08	9.9691E-09	9.1397E-09	7.2037E-09	5.2323E-09	3.3038E-09	1.3692E-09		
16	8.5347E-09	8.0607E-09	7.4260E-09	6.4471E-09	5.2323E-09	3.9412E-09	2.5857E-09	1.1115E-09		
17	4.9585E-09	4.7274E-09	4.3950E-09	3.9242E-09	3.3038E-09	2.5857E-09	1.7942E-09	8.2473E-10		
18	1.9169E-09	1.8479E-09	1.7379E-09	1.5810E-09	1.3692E-09	1.1115E-09	8.2473E-10	5.1030E-10		

SOURCES 18 PLANE HZ = 165.00000 CM

	1	2	3	4	5	6	7	8	9	10
1	1.3978E-08	1.3951E-08	1.3882E-08	1.3778E-08	1.3562E-08	1.3093E-08	1.2390E-08	1.1660E-08	1.1032E-08	1.0246E-08
2	1.3951E-08	1.3951E-08	1.3907E-08	1.3856E-08	1.3809E-08	1.3558E-08	1.2889E-08	1.2041E-08	1.1358E-08	7.2799E-09
3	1.3882E-08	1.3907E-08	1.3882E-08	1.3856E-08	1.3968E-08	9.5727E-09	9.3104E-09	1.2607E-08	1.1626E-08	7.4294E-09
4	1.3778E-08	1.3856E-08	1.3856E-08	1.3778E-08	1.3809E-08	9.5727E-09	0.0	9.0381E-09	1.1913E-08	1.0967E-08
5	1.3562E-08	1.3809E-08	1.3968E-08	1.3809E-08	1.3562E-08	1.3558E-08	9.3104E-09	9.0381E-09	1.2083E-08	1.0926E-08
6	1.3093E-08	1.3558E-08	9.5727E-09	9.5727E-09	1.3558E-08	1.3093E-08	1.2889E-08	1.2607E-08	1.1913E-08	1.0926E-08
7	1.2390E-08	1.2889E-08	9.3104E-09	0.0	9.3104E-09	1.2889E-08	1.2390E-08	1.2041E-08	1.1626E-08	1.0967E-08
8	1.1660E-08	1.2041E-08	1.2607E-08	9.0381E-09	9.0381E-09	1.2607E-08	1.2041E-08	1.1660E-08	1.1358E-08	7.4294E-09
9	1.1032E-08	1.1358E-08	1.1626E-08	1.1913E-08	1.2083E-08	1.1913E-08	1.1626E-08	1.1358E-08	1.1032E-08	7.2799E-09
10	1.0246E-08	7.2799E-09	7.4294E-09	1.0967E-08	1.0926E-08	1.0967E-08	1.0967E-08	7.4294E-09	7.2799E-09	1.0246E-08
11	8.8663E-09	6.6563E-09	0.0	6.9610E-09	9.9502E-09	9.8542E-09	9.9502E-09	6.9610E-09	0.0	6.6563E-09
12	7.0787E-09	8.0080E-09	6.1263E-09	6.2859E-09	8.8747E-09	8.6788E-09	8.6788E-09	8.8747E-09	6.2859E-09	6.1263E-09
13	5.3229E-09	6.1246E-09	6.8535E-09	7.3394E-09	7.4178E-09	7.3270E-09	7.2920E-09	7.3270E-09	7.4178E-09	7.3394E-09
14	4.7427E-09	5.0654E-09	5.0079E-09	6.2311E-09	6.5313E-09	5.7898E-09	6.6295E-09	6.6295E-09	5.7898E-09	6.5313E-09
15	3.2057E-09	4.0311E-09	4.3713E-09	4.8304E-09	5.6130E-09	5.3704E-09	5.4465E-09	5.9326E-09	5.4465E-09	5.3704E-09
16	1.7872E-09	2.3523E-09	2.8765E-09	3.3011E-09	3.5815E-09	3.7863E-09	3.9215E-09	3.9487E-09	3.9487E-09	3.9215E-09
17	8.2150E-10	1.1780E-09	1.4940E-09	1.7648E-09	1.9716E-09	2.1180E-09	2.2177E-09	2.2693E-09	2.2821E-09	2.2693E-09
18	2.2937E-10	3.7111E-10	4.9647E-10	6.0719E-10	6.9801E-10	7.6569E-10	8.1288E-10	8.4196E-10	8.5461E-10	8.5461E-10
	11	12	13	14	15	16	17	18		
1	8.8663E-09	7.0787E-09	5.3229E-09	4.7427E-09	3.2057E-09	1.7872E-09	8.2150E-10	2.2937E-10		
2	6.6563E-09	8.0080E-09	6.1246E-09	5.0654E-09	4.0311E-09	2.3523E-09	1.1780E-09	3.7111E-10		
3	0.0	6.1263E-09	6.8535E-09	5.0079E-09	4.3713E-09	2.8765E-09	1.4940E-09	4.9647E-10		
4	6.9610E-09	6.2859E-09	7.3394E-09	6.2311E-09	4.8304E-09	3.3011E-09	1.7648E-09	6.0719E-10		
5	9.9502E-09	8.8747E-09	7.4178E-09	6.5313E-09	5.6130E-09	3.5815E-09	1.9716E-09	6.9801E-10		
6	9.8542E-09	8.6788E-09	7.3270E-09	5.7898E-09	5.3704E-09	3.7863E-09	2.1180E-09	7.6569E-10		
7	9.9502E-09	8.6788E-09	7.2920E-09	6.6295E-09	5.4465E-09	3.9215E-09	2.2177E-09	8.1288E-10		
8	6.9610E-09	8.8747E-09	7.3270E-09	6.6295E-09	5.9326E-09	3.9487E-09	2.2693E-09	8.4196E-10		
9	0.0	6.2859E-09	7.4178E-09	5.7898E-09	5.4465E-09	3.9487E-09	2.2821E-09	8.5461E-10		
10	6.6563E-09	6.1263E-09	7.3394E-09	6.5313E-09	5.3704E-09	3.9215E-09	2.2693E-09	8.5461E-10		
11	8.8663E-09	8.0080E-09	6.8535E-09	6.2311E-09	5.6130E-09	3.7863E-09	2.2177E-09	8.4196E-10		
12	8.0080E-09	7.0787E-09	6.1246E-09	5.0079E-09	4.8304E-09	3.5815E-09	2.1180E-09	8.1288E-10		
13	6.8535E-09	6.1246E-09	5.3229E-09	5.0654E-09	4.3713E-09	3.3011E-09	1.9716E-09	7.6569E-10		
14	6.2311E-09	5.0079E-09	5.0654E-09	4.7427E-09	4.0311E-09	2.8765E-09	1.7648E-09	6.9801E-10		
15	5.6130E-09	4.8304E-09	4.3713E-09	4.0311E-09	3.2057E-09	2.3523E-09	1.4940E-09	6.0719E-10		
16	3.7863E-09	3.5815E-09	3.3011E-09	2.8765E-09	2.3523E-09	1.7872E-09	1.1780E-09	4.9647E-10		
17	2.2177E-09	2.1180E-09	1.9716E-09	1.7648E-09	1.4940E-09	1.1780E-09	8.2150E-10	3.7111E-10		
18	8.4196E-10	8.1288E-10	7.6569E-10	6.9801E-10	6.0719E-10	4.9647E-10	3.7111E-10	2.2937E-10		

SOURCES 19 PLANE HZ = 175.00000 CM

	1	2	3	4	5	6	7	8	9	10
1	3.7873E-09	3.7837E-09	3.7781E-09	3.7769E-09	3.7480E-09	3.6278E-09	3.4263E-09	3.2398E-09	3.1418E-09	2.9773E-09
2	3.7837E-09	3.7837E-09	3.7809E-09	3.7944E-09	3.8466E-09	3.8256E-09	3.6109E-09	3.3451E-09	3.2167E-09	2.2500E-09
3	3.7781E-09	3.7809E-09	3.7781E-09	3.7944E-09	3.9249E-09	2.9429E-09	2.8704E-09	3.5767E-09	3.2687E-09	2.2867E-09
4	3.7769E-09	3.7944E-09	3.7944E-09	3.7769E-09	3.8466E-09	2.9429E-09	0.0	2.7935E-09	3.3564E-09	3.1028E-09
5	3.7480E-09	3.8466E-09	3.9249E-09	3.8466E-09	3.7480E-09	3.8256E-09	2.8704E-09	2.7935E-09	3.4293E-09	3.0334E-09
6	3.6278E-09	3.8256E-09	2.9429E-09	2.9429E-09	3.8256E-09	3.6278E-09	3.6109E-09	3.5767E-09	3.3564E-09	3.0334E-09
7	3.4263E-09	3.6109E-09	2.8704E-09	0.0	2.8704E-09	3.6109E-09	3.4263E-09	3.3451E-09	3.2687E-09	3.1028E-09
8	3.2398E-09	3.3451E-09	3.5767E-09	2.7935E-09	2.7935E-09	3.5767E-09	3.3451E-09	3.2398E-09	3.2167E-09	2.2867E-09
9	3.1418E-09	3.2167E-09	3.2687E-09	3.3564E-09	3.4293E-09	3.3564E-09	3.2687E-09	3.2167E-09	3.1418E-09	2.2500E-09
10	2.9773E-09	2.2500E-09	2.2867E-09	3.1028E-09	3.0334E-09	3.0334E-09	3.1028E-09	2.2867E-09	2.2500E-09	2.9773E-09
11	2.5347E-09	2.0646E-09	0.0	2.1438E-09	2.7804E-09	2.7151E-09	2.7804E-09	2.1438E-09	0.0	2.0646E-09
12	1.9598E-09	2.2752E-09	1.8980E-09	1.9424E-09	2.5025E-09	2.3831E-09	2.3831E-09	2.5025E-09	1.9424E-09	1.8980E-09
13	1.4372E-09	1.6767E-09	1.9130E-09	2.0698E-09	2.0641E-09	1.9997E-09	1.9772E-09	1.9997E-09	2.0641E-09	2.0698E-09
14	1.2085E-09	1.3309E-09	1.3470E-09	1.6610E-09	1.7398E-09	1.5552E-09	1.7461E-09	1.7461E-09	1.5552E-09	1.7398E-09
15	7.7843E-10	9.9232E-10	1.1096E-09	1.2300E-09	1.4017E-09	1.3673E-09	1.3833E-09	1.4741E-09	1.3833E-09	1.3673E-09
16	4.2955E-10	5.6708E-10	6.9919E-10	8.0712E-10	8.7456E-10	9.2488E-10	9.5960E-10	9.6288E-10	9.6288E-10	9.5960E-10
17	2.0047E-10	2.8556E-10	3.6279E-10	4.2989E-10	4.8104E-10	5.1697E-10	5.4152E-10	5.5392E-10	5.5673E-10	5.5392E-10
18	6.0816E-11	9.6640E-11	1.2898E-10	1.5788E-10	1.8171E-10	1.9944E-10	2.1177E-10	2.1932E-10	2.2254E-10	2.2254E-10
	11	12	13	14	15	16	17	18		
1	2.5347E-09	1.9598E-09	1.4372E-09	1.2085E-09	7.7843E-10	4.2955E-10	2.0047E-10	6.0816E-11		
2	2.0646E-09	2.2752E-09	1.6767E-09	1.3309E-09	9.9232E-10	5.6708E-10	2.8556E-10	9.6640E-11		
3	0.0	1.8980E-09	1.9130E-09	1.3470E-09	1.1096E-09	6.9919E-10	3.6279E-10	1.2898E-10		
4	2.1438E-09	1.9424E-09	2.0698E-09	1.6610E-09	1.2300E-09	8.0712E-10	4.2989E-10	1.5788E-10		
5	2.7804E-09	2.5025E-09	2.0641E-09	1.7398E-09	1.4017E-09	8.7456E-10	4.8104E-10	1.8171E-10		
6	2.7151E-09	2.3831E-09	1.9997E-09	1.5552E-09	1.3673E-09	9.2488E-10	5.1697E-10	1.9944E-10		
7	2.7804E-09	2.3831E-09	1.9772E-09	1.7461E-09	1.3833E-09	9.5960E-10	5.4152E-10	2.1177E-10		
8	2.1438E-09	2.5025E-09	1.9997E-09	1.7461E-09	1.4741E-09	9.6288E-10	5.5392E-10	2.1932E-10		
9	0.0	1.9424E-09	2.0641E-09	1.5552E-09	1.3833E-09	9.6288E-10	5.5673E-10	2.2254E-10		
10	2.0646E-09	1.8980E-09	2.0698E-09	1.7398E-09	1.3673E-09	9.5960E-10	5.5392E-10	2.2254E-10		
11	2.5347E-09	2.2752E-09	1.9130E-09	1.6610E-09	1.4017E-09	9.2488E-10	5.4152E-10	2.1932E-10		
12	2.2752E-09	1.9598E-09	1.6767E-09	1.3470E-09	1.2300E-09	8.7456E-10	5.1697E-10	2.1177E-10		
13	1.9130E-09	1.6767E-09	1.4372E-09	1.3309E-09	1.1096E-09	8.0712E-10	4.8104E-10	1.9944E-10		
14	1.6610E-09	1.3470E-09	1.3309E-09	1.2085E-09	9.9232E-10	6.9919E-10	4.2989E-10	1.8171E-10		
15	1.4017E-09	1.2300E-09	1.1096E-09	9.9232E-10	7.7843E-10	5.6708E-10	3.6279E-10	1.5788E-10		
16	9.2488E-10	8.7456E-10	8.0712E-10	6.9919E-10	5.6708E-10	4.2955E-10	2.8556E-10	1.2898E-10		
17	5.4152E-10	5.1697E-10	4.8104E-10	4.2989E-10	3.6279E-10	2.8556E-10	2.0047E-10	9.6640E-11		
18	2.1932E-10	2.1177E-10	1.9944E-10	1.8171E-10	1.5788E-10	1.2898E-10	9.6640E-11	6.0816E-11		

REFERENCES

- /1/ Z.Woznicki
"HEXAGA-II-120, -60, -30 Two-dimensional Multigroup Neutron
Diffusion Programmes for a Uniform Triangular Mesh with Arbitrary
Group Scattering"
Report KfK-2789 /1979/.
- /2/ Z.Woznicki,
"AGA Two-sweep Iterative Method and their Application in Critical
Reactor Calculations"
Nukleonika 9/23 pp. 941-968 /1978/.
- /3/ Z.Woznicki,
"Efficient Methods for Accelerating Reactor Diffusion Codes"
Proceedings of the International Topical Meeting on Advances in
Mathematical Methods for the Solution of Nuclear Engineering Problems,
pp. 385-400 Munich, April 27.-29., /1981/.
- /4/ W.Höbel,
XTAREA/REXTAR, programme description, unpublished report
- /5/ D.Woll,
"GRUCAL - Ein Programmsystem zur Berechnung makroskopischer Gruppen-
konstanten " Report KfK-2108 /1975/.
- /6/ G.Buckel, K.Küfner and B.Stehle,
"Benchmark Calculations for a Sodium Cooled Breeder Reactor by
Two- and Three-Dimensional Diffusion Methods"
NSE 64, pp.75-89 /1977/.
- /7/ G.Willerding,
"AUDI3", programme description, unpublished report.

Acknowledgement

The author would like to express his gratitude to Dr. G. Buckel for his significant contribution to the development of the present version of the HEXAGA-III programme. The author also wishes to thank many other members of INR for their help in preparing the programme and the report manuscript.

The author is especially grateful to Professor G. Kessler, Dr. S. Pilate and Professor R. Zelazny for their active interest in the development of this programme.